



Vacuum Gripper Unit for Collaborative Robots

YASKAWA Electric Corporation
collaborative robot
MOTOMAN-HC10DT compliant



ZXP7□11-X1□



More information
can be viewed here.

P-E20-37

Vacuum Gripper Unit

for Collaborative Robots

YASKAWA Electric Corporation collaborative robot

MOTOMAN-HC10DT compliant

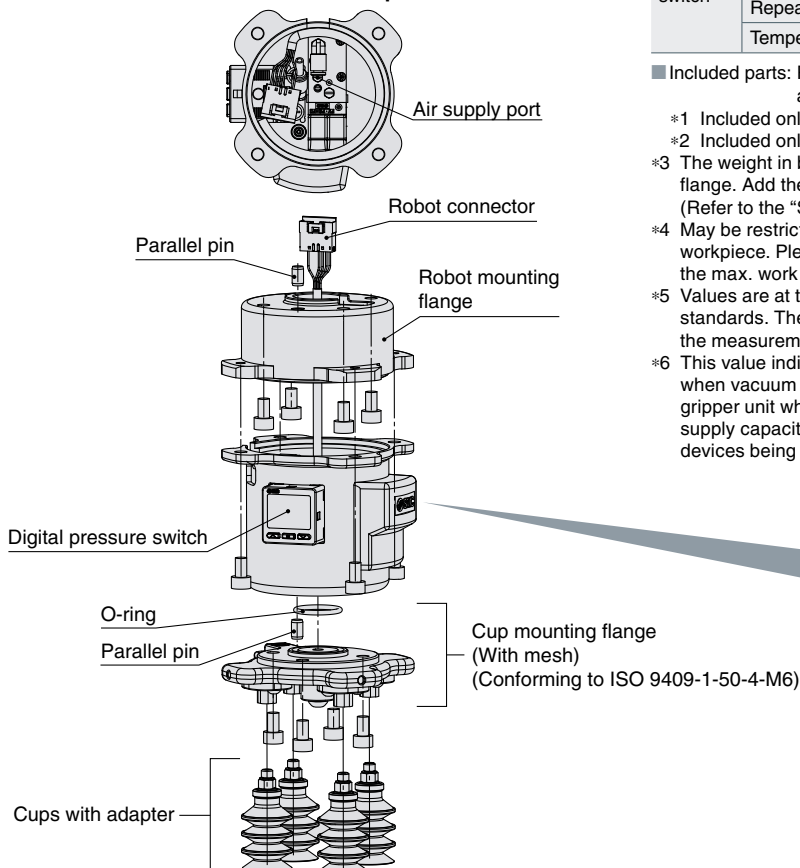
- * It cannot be mounted on the MOTOMAN-HC10.
- * It can be used with robot specifications with air piping.

Can be operated simply by connecting 1 compressed air supply tube and the built-in cable for electric wiring

- Integrated vacuum ejector, air supply/release valve, pressure switch, and cups
- As the air piping and electric wiring built into the robot are used, no external wiring or piping is required.
- No interference with workpieces or workers
- Features a rounded appearance without corners
- A wide variety of cup variations are available to support a wide range of workpieces.



Details of internal parts



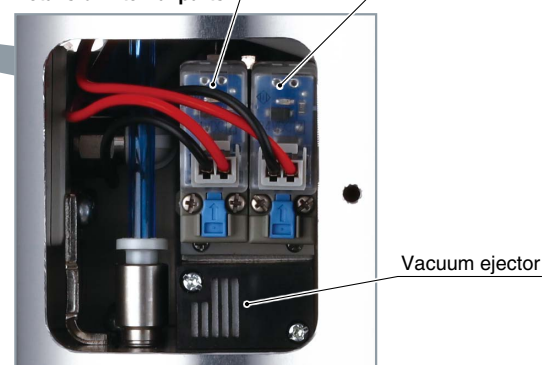
Specifications

Common	Applicable fluid	Air
	Operating temperature range [°C]	5 to 50
	Weight [g] ^{*3}	895 (671)
	Max. work load [kg] ^{*4}	7
	Air pressure supply (P) port	Built-in One-touch fittings (ø4)
	Power supply voltage [V]	24 VDC ±10%
Vacuum ejector	Max. vacuum pressure [kPa] ^{*5}	-84
	Suction flow rate [L/min (ANR)] ^{*5}	17
	Air consumption [L/min (ANR)] ^{*5}	57
	Supply pressure range [MPa]	0.3 to 0.55
	Standard supply pressure [MPa] ^{*6}	0.5
Pressure switch	Rated pressure range [kPa]	0 to -101
	Display accuracy	±2% F.S. ±1 digit (Ambient temperature of 25 ±3°C)
	Repeatability	±0.2% F.S. ±1 digit
	Temperature characteristics	±2% F.S. (25°C conversion)

■ Included parts: Robot mounting flange, Parallel pin, Mounting bolt, Cups with adapter^{*1}, Plug^{*2}

- *1 Included only with cups
- *2 Included only for the ZXP7A
- *3 The weight in brackets refers to the weight of the product without a cup mounting flange. Add the weight of the suction cups with adapter for the weight with cups. (Refer to the "Suction Cup Part Numbers and Weight" on page 3.)
- *4 May be restricted depending on the cup diameter, mounting orientation, or workpiece. Please use within the max. work load. Suction and transfer exceeding the max. work load may result in reduced vacuum pressure due to air leakage.
- *5 Values are at the standard supply pressure and based on SMC's measurement standards. They depend on atmospheric pressure (weather, altitude, etc.) and the measurement method.
- *6 This value indicates the pressure right before the air pressure supply (P) port when vacuum is generated. The pressure right before the P port of the vacuum gripper unit when vacuum is generated may fall below 0.5 MPa due to the air supply capacity, piping size, and the amount of air being consumed by other devices being operated simultaneously.

Details of internal parts



Adsorption Unit Variations

The number of cups can be changed.



1 cup

2 cups

4 cups

The cup type can be changed. (For details on selectable cups, refer to "How to Order.")



Flat (ø8), Silicone rubber

Bellows (ø20), NBR

Thin flat (ø16), NBR

Flat (ø32), Silicone rubber

Flat (ø32), Urethane rubber



ø32, 2.5-stage, Silicone rubber

ø25, 5.5-stage, Silicone rubber

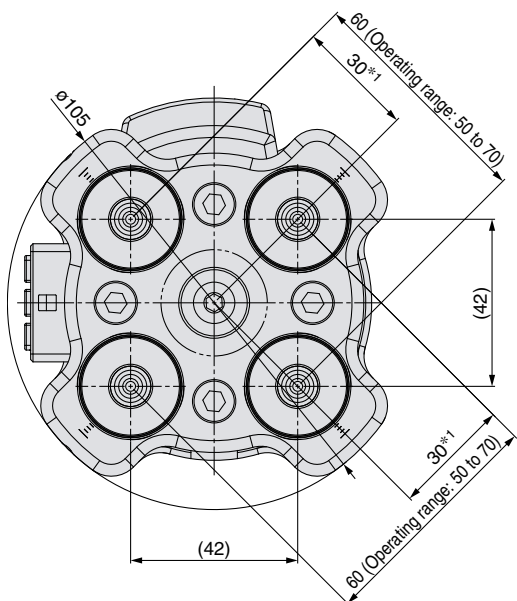
ø25, 5.5-stage, Silicone rubber
With vacuum saving valve



Vacuum saving valve
ZP2V Series
(To be ordered separately)
Applicable part no.: ZP2V-B6-05



* The silicone material is compliant with the FDA (U.S. Food and Drug Administration) regulation 21CFR§177.

■ The cup pitch can be changed.



*1 Operating range: 25 to 35 (When a cup is mounted in the center)
As interference between cups may occur depending on the cup diameter, select the cup diameter according to the pitch to be used.

How to Order

Combination part no. **ZXP7** - **X1**  

Vacuum gripper unit 1 2 3 4 5 6 7 8 9 *1 Refer to the table below for the applicable cups.

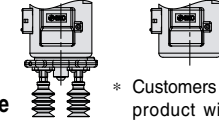
1 Unit size

Symbol	Size
7	75 mm

2 Cup mounting flange shape

Symbol	Flange shape
A	With flange (42 mm x 42 mm)
N	Without flange

With flange Without flange



* Customers selecting the product without a cup mounting flange will be required to produce a flange that matches the mounting dimensions on their own.

6 Cup form

Symbol	Cup form
U	Flat
C	Flat with rib
B	Bellows
UT	Thin flat
J	Multistage bellows
JT2	2.5-stage bellows
JT5	5.5-stage bellows
Nil	Without cup

7 Cup material

Symbol	Material
N	NBR
S	Silicone rubber (White)*2
U	Urethane rubber
F	FKM
SF	Silicone rubber (Blue)*2
Nil	Without cup

*2 The silicone material is compliant with the FDA (U.S. Food and Drug Administration) regulation 21CFR§177.

3 Compatible robot manufacturer

Symbol	Robot manufacturer
11	YASKAWA Electric Corporation: MOTOMAN-HC10DT

4 Cup series

Symbol	Cup series
ZP	Basic
ZP3P	Bellows type for film packaging workpieces
Nil	Without cup

5 Cup diameter

Symbol	Cup diameter	Symbol	Cup diameter
08	ø8	25	ø25
10	ø10	B25	ø25
13	ø13	B30	ø30
16	ø16	32	ø32
20	ø20	Nil	Without cup

8 Attachment*3

Symbol	Attachment
Nil	With (guide) attachment
M	With mesh attachment

*3 Only applicable to the cup form "JT□." Note that "M" applies only to cup form: JT2.

9 Pressure switch output specifications/Unit

Symbol	Output/Unit
Nil	NPN/With unit switching function*4
A	NPN/SI unit only*5
B	NPN/With unit switching function (Initial value psi)*4
C	PNP/With unit switching function*4
D	PNP/SI unit only*5
E	PNP/With unit switching function (Initial value psi)*4

*4 Under the New Measurement Act, switches with the unit switching function are not permitted for use in Japan.

*5 Fixed unit: kPa, MPa

*1

Suction Cup Part Numbers and Weight

Part No. **ZXP7(A,N)11-** - **X1**

4 5 6 7 8

Applicable cups

4 Cup series	5 Cup diameter	6 Cup form	7 Cup material	8 Attachment
ZP	08	U	<input type="checkbox"/>	
ZP	08	B	<input type="checkbox"/>	
ZP	10	UT	<input type="checkbox"/>	
ZP	13	UT	<input type="checkbox"/>	
ZP	16	UT	<input type="checkbox"/>	
ZP	10	U	<input type="checkbox"/>	
ZP	13	U	<input type="checkbox"/>	
ZP	16	U	<input type="checkbox"/>	
ZP	20	U	<input type="checkbox"/>	
ZP	25	U	<input type="checkbox"/>	
ZP	32	U	<input type="checkbox"/>	
ZP	10	C	<input type="checkbox"/>	
ZP	13	C	<input type="checkbox"/>	
ZP	16	C	<input type="checkbox"/>	
ZP	20	C	<input type="checkbox"/>	
ZP	25	C	<input type="checkbox"/>	
ZP	32	C	<input type="checkbox"/>	
ZP	10	B	<input type="checkbox"/>	
ZP	13	B	<input type="checkbox"/>	
ZP	16	B	<input type="checkbox"/>	
ZP	20	B	<input type="checkbox"/>	
ZP	25	B	<input type="checkbox"/>	
ZP	32	B	<input type="checkbox"/>	
ZP	20	UT	<input type="checkbox"/>	
ZP	16	J	<input type="checkbox"/>	
ZP	B25	J	<input type="checkbox"/>	
ZP	B30	J	<input type="checkbox"/>	
ZP3P	20	JT2	SF	
ZP3P	20	JT2	SF	M
ZP3P	32	JT2	SF	
ZP3P	32	JT2	SF	M
ZP3P	20	JT5	SF	
ZP3P	25	JT5	SF	
ZP3P	32	JT5	SF	

Cup part numbers

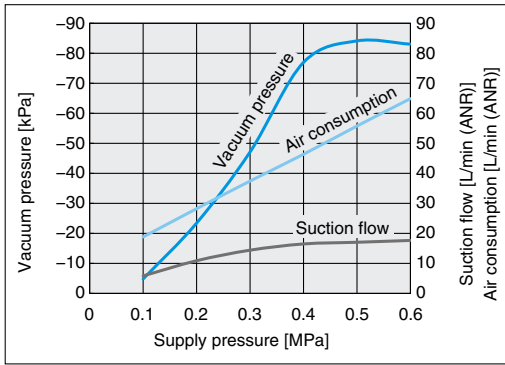
Part no.	Cup with adapter				Adapter unit Vacuum inlet: (Male thread M6 x 1)	Cup unit
	N (NBR)	S/SF (Silicone)	U (Urethane)	F (FKM)		
ZPT08U□-A6	4	4	4	4	ZPT1-A6	ZP08U□
ZPT08B□-A6	4	4	4	4		ZP08B□
ZPT10UT□-A6	4	4	4	4		ZP10UT□
ZPT13UT□-A6	4	4	4	4		ZP13UT□
ZPT16UT□-A6	4	4	4	4		ZP16UT□
ZPG10U□-7A-X2	7	7	7	7		ZP10U□
ZPG13U□-7A-X2	7	7	7	8	ZP13U□	
ZPG16U□-7A-X2	7	7	7	8	ZP16U□	
ZPG20U□-7A-X2	9	10	10	10	ZP20U□	
ZPG25U□-7A-X2	10	10	10	11	ZP25U□	
ZPG32U□-7A-X2	10	11	11	12	ZP32U□	
ZPG10C□-7A-X2	7	7	7	7	ZP10C□	
ZPG13C□-7A-X2	7	7	7	7	ZP13C□	
ZPG16C□-7A-X2	7	7	7	8	ZP16C□	
ZPG20C□-7A-X2	9	10	10	11	ZP20C□	
ZPG25C□-7A-X2	10	10	10	11	ZP25C□	
ZPG32C□-7A-X2	10	11	11	12	ZP32C□	
ZPG10B□-7A-X2	7	7	7	8	ZP10B□	
ZPG13B□-7A-X2	7	8	8	8	ZP13B□	
ZPG16B□-7A-X2	8	8	8	9	ZP16B□	
ZPG20B□-7A-X2	11	11	11	13	ZP20B□	
ZPG25B□-7A-X2	11	12	12	14	ZP25B□	
ZPG32B□-7A-X2	14	15	15	18	ZP32B□	
ZPG20UT□-7A-X2	4	4	4	4	ZPT1-A6	
ZPG16J□-7A-X2	8	8	8	9	ZPT2-7A-X2	
ZPGB25J□-7A-X2	14	15	15	18	ZPT2-7A-X2	
ZPGB30J□-7A-X2	18	19	19	25	ZPT3-7A-X2	
ZP3PG20JT2SF-7A-X2	—	21	—	—	ZPT1-A6	
ZP3PG20JT2SF-M-7A-X2	—	21	—	—	ZPT2-7A-X2	
ZP3PG32JT2SF-7A-X2	—	48	—	—	ZPT2-7A-X2	
ZP3PG32JT2SF-M-7A-X2	—	48	—	—	ZPT3-7A-X2	
ZP3PG20JT5SF-7A-X2	—	23	—	—	ZPT1-A6	
ZP3PG25JT5SF-7A-X2	—	25	—	—	ZPT2-7A-X2	
ZP3PG32JT5SF-7A-X2	—	54	—	—	ZPT3-7A-X2	
ZP3PA-T1JT-7A-X2	—	—	—	—	ZP2-20UT□	
ZP3PA-T2JT-7A-X2	—	—	—	—	ZP2-16J□	
ZP3PA-T1JT-7A-X2	—	—	—	—	ZP2-B25J□	
ZP3PA-T2JT-7A-X2	—	—	—	—	ZP2-B30J□	
ZP3P-20JT2SF-W	—	—	—	—	ZP3P-20JT2SF-W	
ZP3P-32JT2SF-W	—	—	—	—	ZP3P-32JT2SF-W	
ZP3P-32JT2SF-WM	—	—	—	—	ZP3P-32JT2SF-WM	
ZP3P-25JT5SF-WG	—	—	—	—	ZP3P-25JT5SF-WG	
ZP3P-32JT5SF-WG	—	—	—	—	ZP3P-32JT5SF-WG	

* Refer to the **Web Catalog** for details on suction cups.

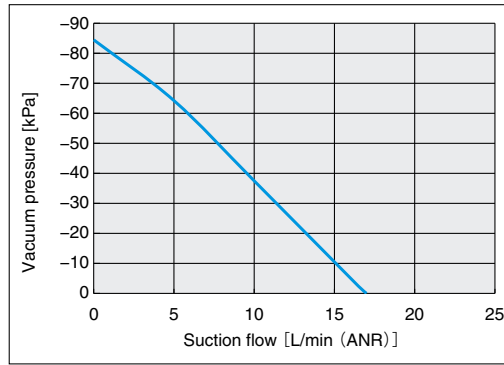
Input the material symbol ("N," "S," "U," or "F") into the □ in the part number.

Model Selection

Exhaust Characteristics*1

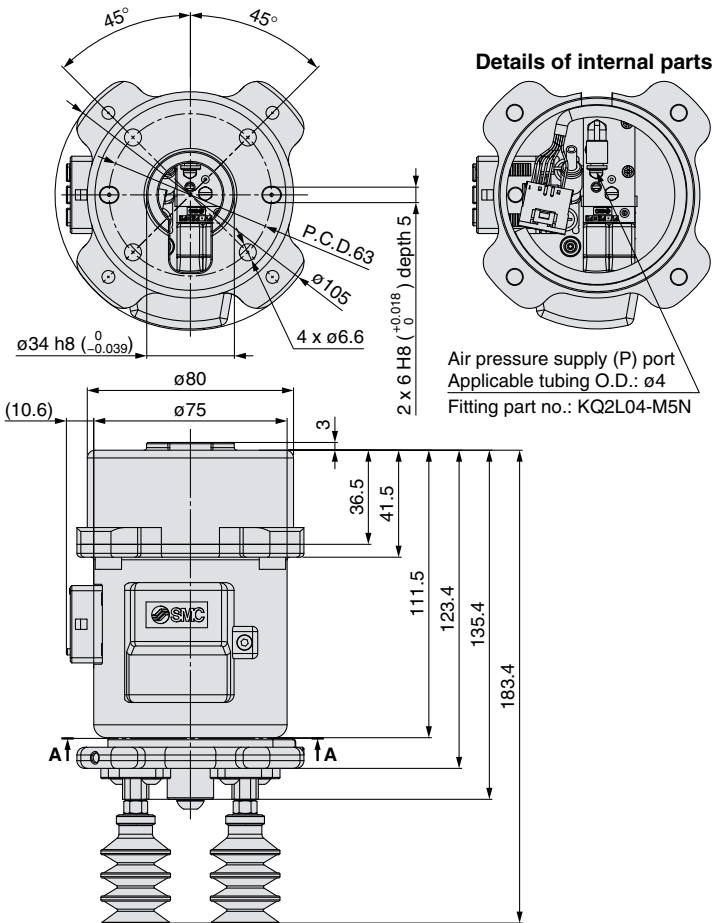


Flow Rate Characteristics

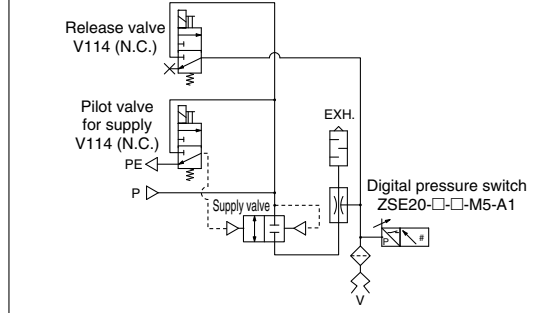


*1 The exhaust characteristics are different when the vacuum-saving valve (ZP2V-B6-05) is mounted.
For details, refer to "8.3 Suction cup precautions" in the operation manual.

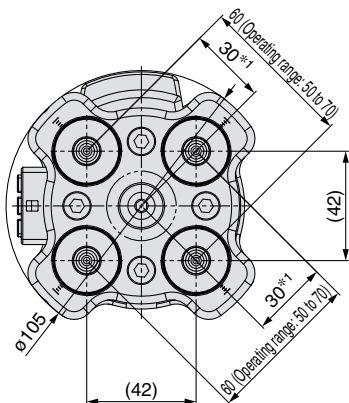
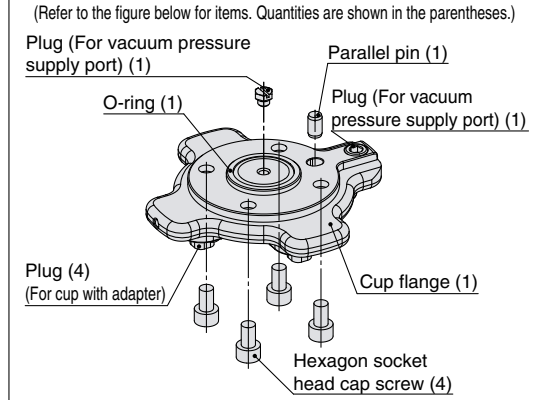
Dimensions



Circuit diagram

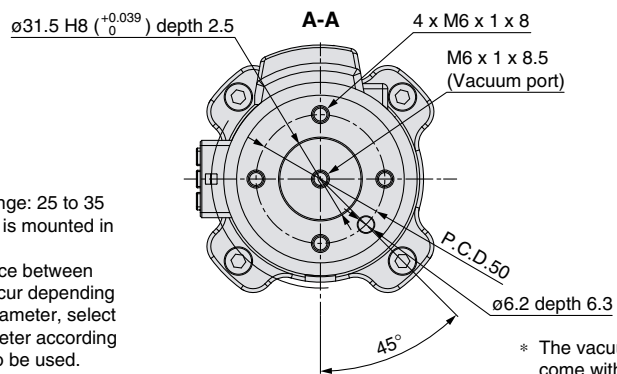


Cup mounting flange Replacement part number: ZXP7-PFL1-A-X1



* Operating range: 25 to 35
(When a cup is mounted in the center)
As interference between cups may occur depending on the cup diameter, select the cup diameter according to the pitch to be used.

Without cup mounting flange



* The vacuum port doesn't come with mesh.

* The dimensions and mounting method described in this drawing (example) are for the following part number: ZXP7A11-ZPB25JS-X1



ZXP7□11-X1□

Specific Product Precautions

Be sure to read this before handling the products. For safety instructions and vacuum equipment precautions, refer to the “Handling Precautions for SMC Products” and the “Operation Manual” on the SMC website: <https://www.smcworld.com>

Handling

Caution

1. Strictly observe the precautions on vacuum equipment and safety when using the product. Additionally, select a cup size and material suitable to both the workpiece to be adsorbed and the atmosphere. Take safety measures so that any accident, such as the dropping of a workpiece, does not occur during adsorption transfer. For details, refer to the Web Catalog.
2. Use the product within the specification range. Use exceeding the compressed air pressure or voltage may result in serious damage due to reduced product performance.
3. Exhaust air is released from the opening in the product. Therefore, this exhaust air opening must not be blocked or restricted.

Mounting

Caution

1. For details on the mounting method, refer to the Operation Manual.
2. Tighten to the specified tightening torque. If the tightening torque is exceeded, the body and the mounting screws may break. However, insufficient torque may cause displacement of the body and loosening of the mounting screws.
3. Do not drop, strike, or apply excessive impact to this product.
Doing so may result in damage to the internal parts of the body, solenoid valve, or pressure switch. In some cases, this damage may result in a malfunction.
4. Hold the body when handling the product. Do not pull excessively on the cable or pinch the cable when lifting the body. Failure to do so may result in damage to the solenoid valve or pressure sensor. In some cases, this damage may result in a failure or malfunction.
5. The bolts may loosen due to the operating conditions and environment. Be sure to conduct maintenance such as tightening the bolts periodically.

Wiring

Caution

1. Do not wire while energizing the product. Doing so may result in damage to the internal parts of the solenoid valve or pressure switch. In some cases, this damage may result in a malfunction.
2. Do not disassemble the cable or make any modifications, including additional machining. Doing so may cause human injury and/or an accident.

Piping

Caution

1. Flushing of the inside of the pipes

Before piping is connected, it should be thoroughly blown out with air (flushing) or washed to remove chips, cutting oil, and other debris from inside the pipe.

2. Tube attachment

- Take a tube having no flaws on its periphery and cut it off at a right angle. When cutting the tube, use tube cutters TK-1, 2, 3, 5, or 6. Do not use pliers, nippers, scissors, etc. If cutting is done with tools other than tube cutters, the tube may be cut diagonally or become flattened, etc., making a secure installation impossible, and causing problems such as the tube pulling out after installation or air leakage. Allow some extra length in the tube.
- Grasp the tube and push it in slowly, inserting it securely all the way into the fitting.
- After inserting the tube, pull on it lightly to confirm that it will not come out. If it is not installed securely all the way into the fitting, this can cause problems such as air leakage or the tube pulling out.

3. Tube detachment

- Push in the release button sufficiently, pushing its collar equally around the circumference.
- Pull out the tube while holding down the release button so that it does not come out. If the release button is not pressed down sufficiently, there will be increased bite on the tube and it will become more difficult to pull it out.
- When the removed tube is to be used again, cut off the portion which has been chewed before reusing it. If the chewed portion of the tube is used as is, this can cause trouble such as air leakage or difficulty in removing the tube.

4. Other Tube Brands

When using other than SMC brand tube, confirm that the following specifications are satisfied with respect to the tube outside diameter tolerance.

- Nylon tube within ± 0.1 mm
- Soft nylon tube within ± 0.1 mm
- Polyurethane tube within ± 0.15 mm, within -0.2 mm

Do not use tube which do not meet these outside diameter tolerances. It may not be possible to connect them, or they may cause other trouble, such as air leakage or the tube pulling out after connection.

5. Piping

- Do not apply unnecessary forces, such as twisting, pulling, moment loads, vibration, impact, etc., on fittings or tubing. This will cause damage to fittings and will crush, burst, or release tubing.
- Do not lift the product by the piping after the tube is connected. Doing so may result in damage to the One-touch tube fitting. For details, refer to the “Handling Precautions for SMC Products” on the SMC website: <https://www.smcworld.com>



Vacuum Gripper Unit for Collaborative Robots

⚠ Safety Instructions Be sure to read the "Handling Precautions for SMC Products" (M-E03-3) and "Operation Manual" before use.

SMC Corporation

Akihabara UDX 15F,
4-14-1, Sotokanda, Chiyoda-ku, Tokyo 101-0021, JAPAN
Phone: 03-5207-8249 Fax: 03-5298-5362
<https://www.smcworld.com>
© 2021 SMC Corporation All Rights Reserved

Specifications are subject to change without prior notice
and any obligation on the part of the manufacturer.

D-G