

# NAMUR Interface 3/5 Port Solenoid Valve

## IP67 Compliant, Hygienic Design Type



# VFN2120N-X23/-X36

- Hygienic design is adopted  
Resin body with less concaves. Direct cleaning of valve is possible (IP67)
- 3 port/5 port available  
Function plate realized 3/5 port selectable
- Low power consumption  
Power consumption: 0.5 W
- Port threads: NPT1/4, G1/4 available

### How to Order



VFN2120N-5 [ ] - 02 N - [ ] [ ] - X23 A - [ ]

#### Voltage

5	24 VDC
---	--------

#### Manual

		X23	X36
Nii	Push type	<input type="radio"/>	—
B	Locking type (Tool required)	<input type="radio"/>	<input type="radio"/>
C	Locking type (Manual type)	—	<input type="radio"/>

O: Available

#### 1/3/5 port thread size

02	1/4"
----	------

#### 1/3/5 port thread type

N	NPT
F	G

#### Mounting thread type

Nii	UNF10-32 thread
M	M5 x 0.8 thread
N	No mounting thread (for UNF10-32)
MN	No mounting thread (for M5 x 0.8)

#### CE-compliant

Nii	—
Q	CE-compliant

#### Valve specifications

A	3 port (Coil side: A port)
B	5 port (Coil side: B port)
C	3 port (Coil side: B port)
D	5 port (Coil side: A port)

#### Electrical entry

X23	Vertical entry to piping port
X36	Horizontal entry to piping port

#### Check valve

Nii	Available
0	Not available

IP

IW

1301

AW

IL1

IL2

IT

CP

IS

VFN

IN-  
T

# VFN2120N-X23/-X36

## Standard Specifications

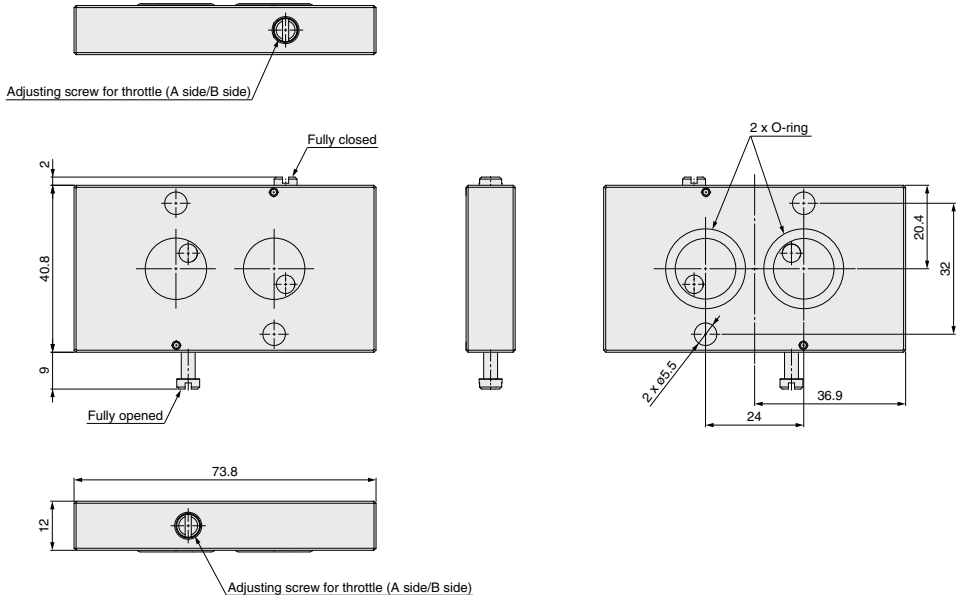
Valve construction	Rubber seal
Fluid	Air
Operating pressure range	0.15 to 0.9 MPa
Ambient and fluid temperature	-10 to +60°C
Lubrication	Not required
Manual override	Push type/Locking type (tool required)/ Locking type (manual type)
Enclosure	Equivalent to IP67
Thread port size	1/4"
Flow rate characteristics (CV/Effective area)	0.8/11 mm <sup>2</sup>
Rated voltage	24 VDC
Allowable voltage fluctuation	-15 to +10% of rated voltage
Type of coil insulation	Class B
Power consumption	0.5 W

## Options

### Throttle valve spacer

Part no.	Mounting screw type	Body material	Accessories
AXT842-30-22A-1	UNF10-32	Stainless steel	O-ring for interface (2 pcs.) Mounting screw for spacer (2 pcs.)
AXT842-30-22A-2	M5 x 0.8		
AXT842-30-24A-1	UNF10-32	Aluminum (Black anodized)	
AXT842-30-24A-2	M5 x 0.8		

## Dimensions



## Replacement Parts

### ① Mounting screw

Model	Type	Contents
AXT842-30-19A-2	UNF10-32	With washer/A set of 10 screws
AXT842-30-19A-3	M5 x 0.8	



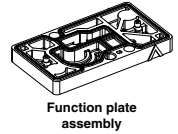
### ② Check valve

Model	Contents
AXT842-30-17A	A set of 10 pcs.



### ③ Function plate assembly\*

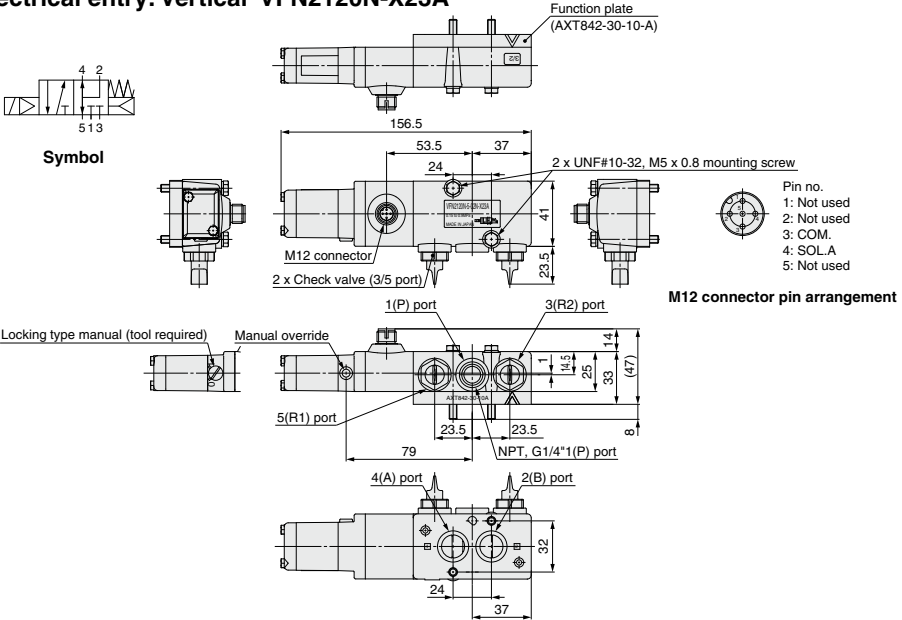
Model	Valve specifications
AXT842-30-10A	3 port (Coil side: A port)
AXT842-30-10B	5 port (Coil side: B port)
AXT842-30-10C	3 port (Coil side: B port)
AXT842-30-10D	5 port (Coil side: A port)



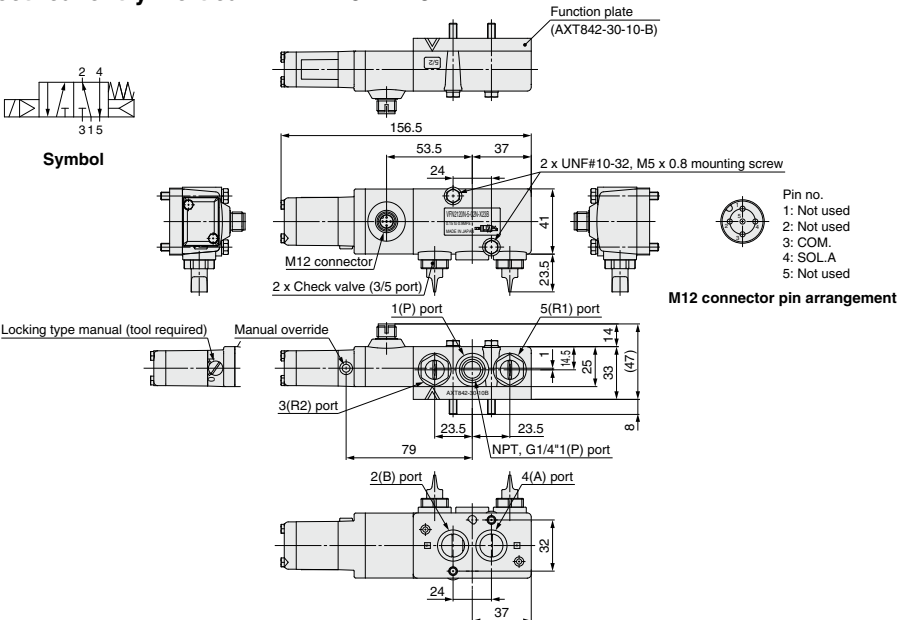
\* Valve specifications can be freely changed by changing the function plate.

**Dimensions**

**Electrical entry: Vertical VFN2120N-X23A**



**Electrical entry: Vertical VFN2120N-X23B**

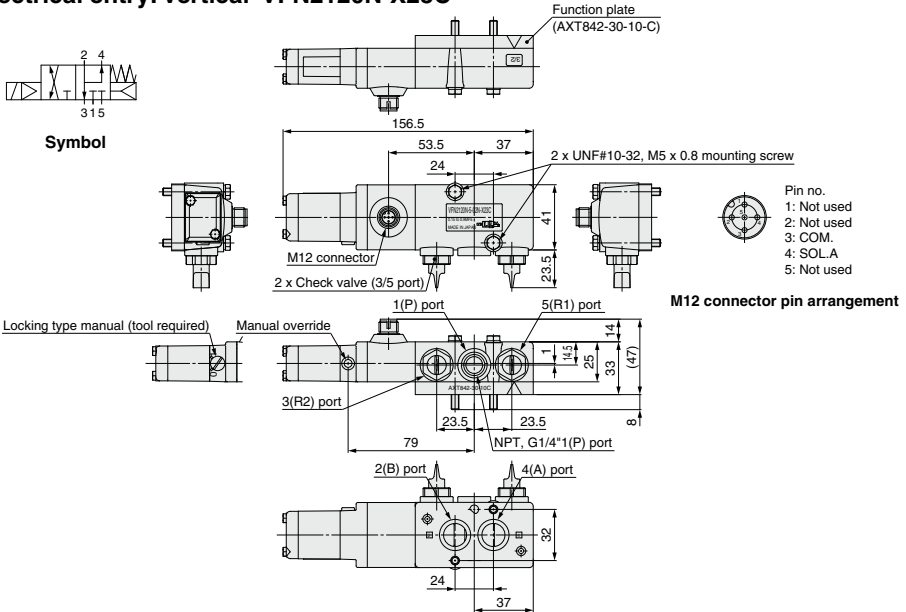


IP
IW
1301
AW
IL1 <input type="checkbox"/>
IL2 <input type="checkbox"/>
IT
CP <input type="checkbox"/>
IS
<b>VFN</b>
IN- T <input type="checkbox"/>

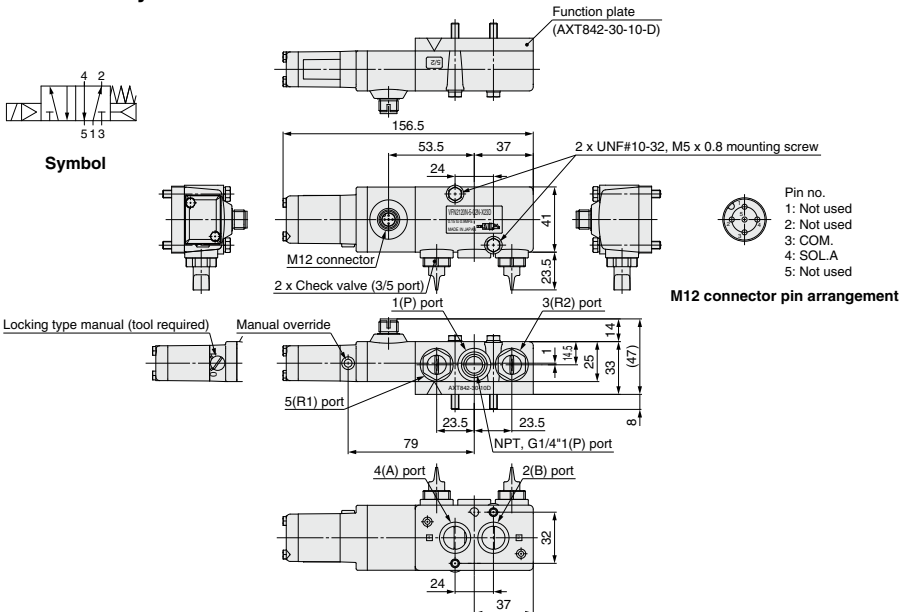
# VFN2120N-X23/-X36

## Dimensions

### Electrical entry: Vertical VFN2120N-X23C



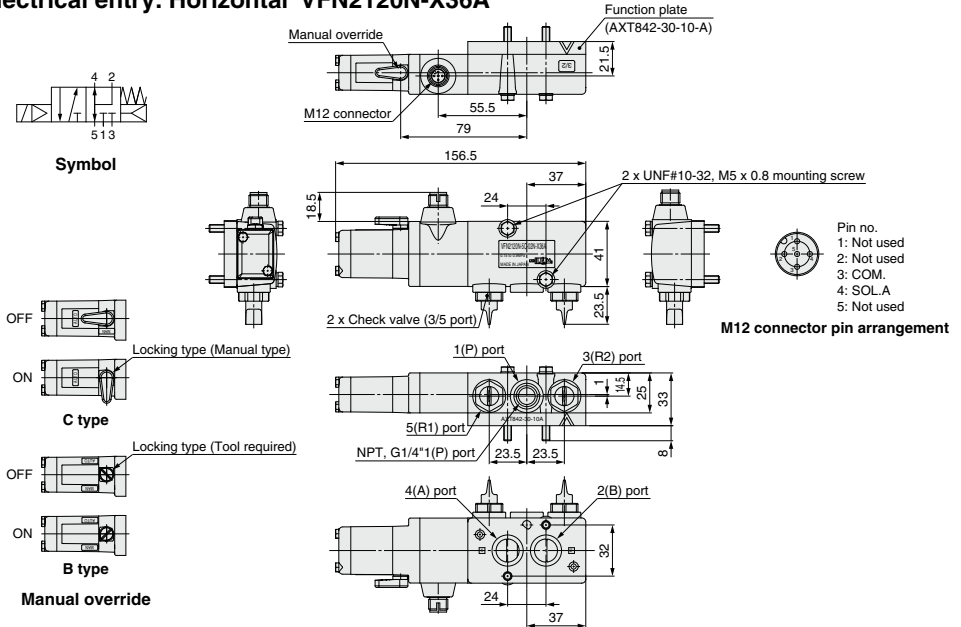
### Electrical entry: Vertical VFN2120N-X23D



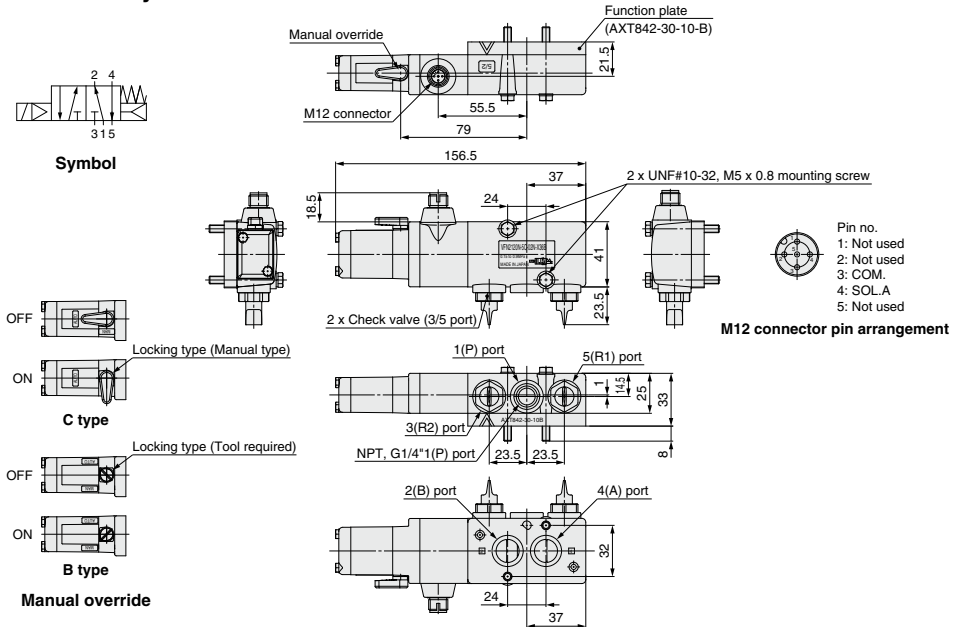
# NAMUR Interface 3/5 Port Solenoid Valve IP67 Compliant, Hygienic Design Type **VFN2120N-X23/-X36**

## Dimensions

### Electrical entry: Horizontal VFN2120N-X36A



### Electrical entry: Horizontal VFN2120N-X36B

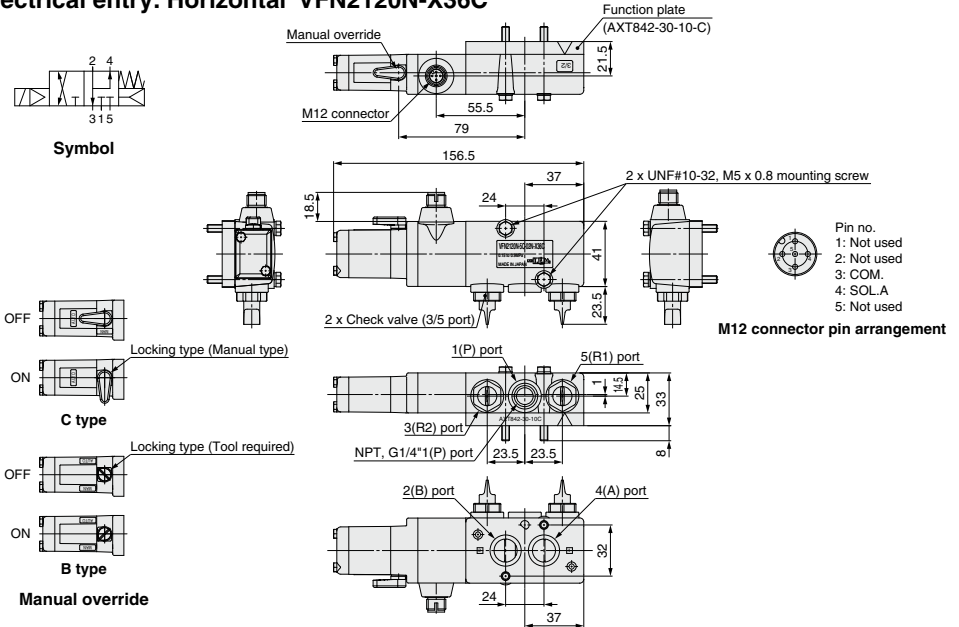


IP
IW
1301
AW
IL1 <input type="checkbox"/>
IL2 <input type="checkbox"/>
IT
CP <input type="checkbox"/>
IS
<b>VFN</b>
IN- <input type="checkbox"/>
T <input type="checkbox"/>

# VFN2120N-X23/-X36

## Dimensions

### Electrical entry: Horizontal VFN2120N-X36C



### Electrical entry: Horizontal VFN2120N-X36D

