

Speed Controller with Indicator

RoHS

The numerical indication of flow rate knob rotations
reduces flow setting time and setting errors!



Indicator window



Numerical indication of knob rotations

Body size 1		Body size 2 or larger	
Indicator window	Number of needle rotations	Indicator window	Number of needle rotations
1	1	1	1
2	2	2	2
⋮	⋮	⋮	⋮
8	8	10	10

4 indicator window directions available

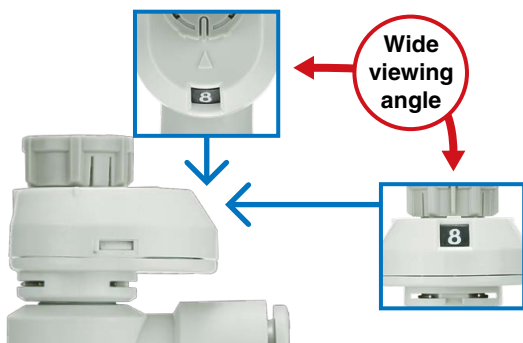


Indicator window direction: 0°

Indicator window direction: 180°

Indicator window direction: 90°

Indicator window direction: 270°



Wide viewing angle



New series added!

Universal type

Indicator window direction: 90°/270°



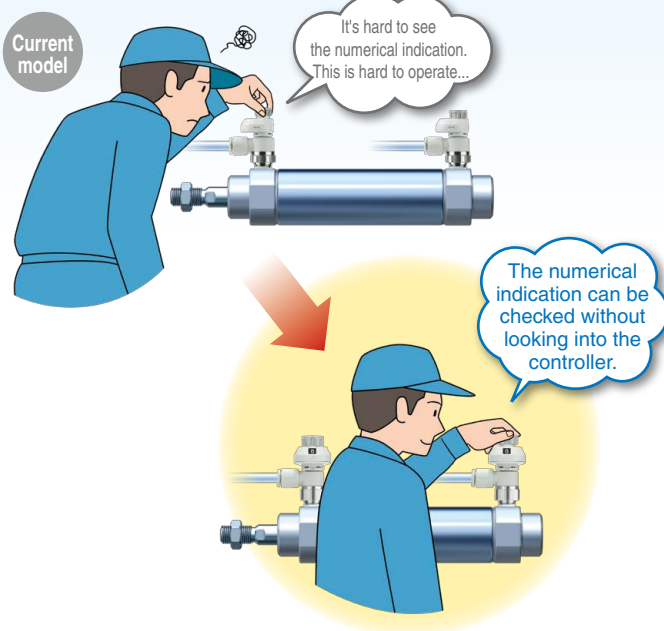
AS-FS Series

SMC
 CAT.ES20-229D

4 indicator window directions offer improved visibility



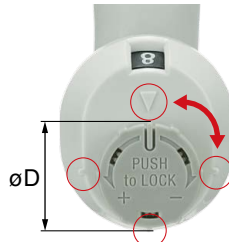
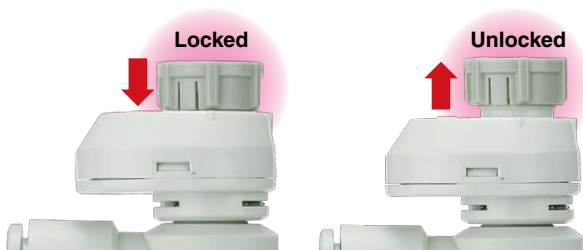
Inspection and maintenance labor can be reduced by selecting the indicator window direction suitable for the operating conditions. In addition, the flexibility of equipment design has been improved.



Larger push-lock type knob

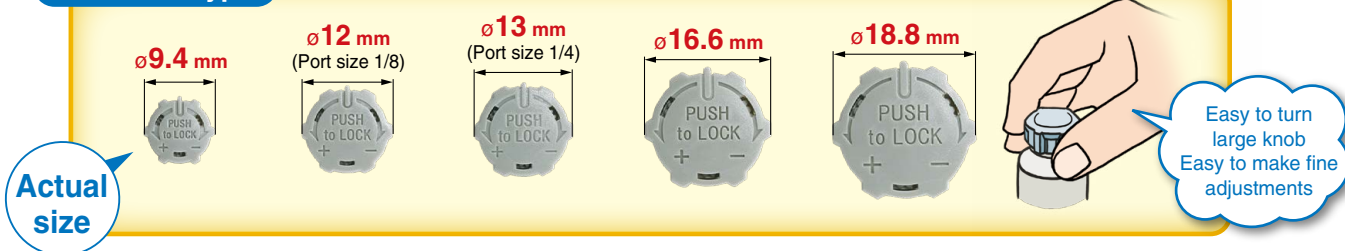
Easy to lock

The larger knob and marking of every 90° mark allows for easier operation

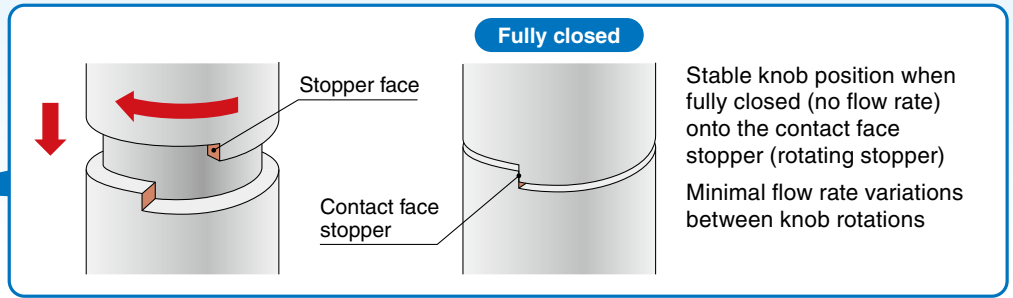


Body size	øD [mm]
1	9.4
2	12 (Port size 1/8) 13 (Port size 1/4)
3	16.6
4	18.8

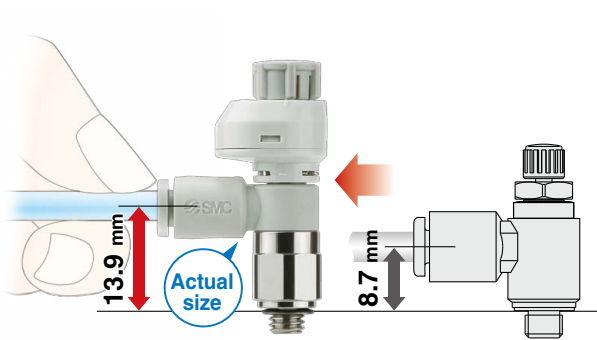
Push-lock type



Improved reproducibility of flow rate



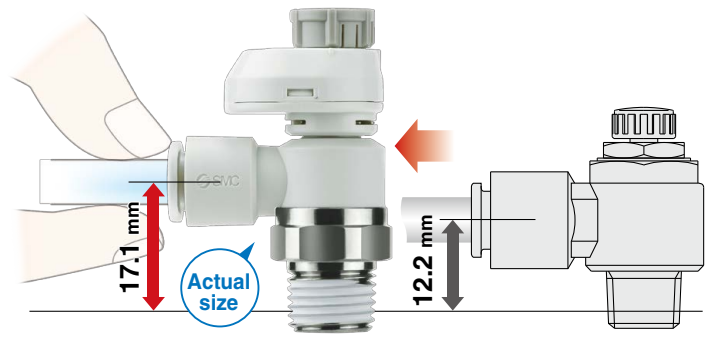
Easier to insert and remove the tube



AS-FS Series

Current model

Tubing diameter	Thread	Part number	Part number
ø4	M5	AS12□1FS-M5□-04	AS12□1F-M5-04



AS-FS Series

Current model

Tubing diameter	Thread	Part number	Part number
ø6	1/4	AS22□1FS-02-06S	AS22□1F-02-06

Easy identification of product type

Series	Release button color			
	Meter-out	Meter-in	Metric	Inch
<p>AS-FS AS-FS-U□</p>	Gray	Light blue	Light gray	Orange
<p>AS-FSG</p>	Gray	Light blue	White	White

Series Variations

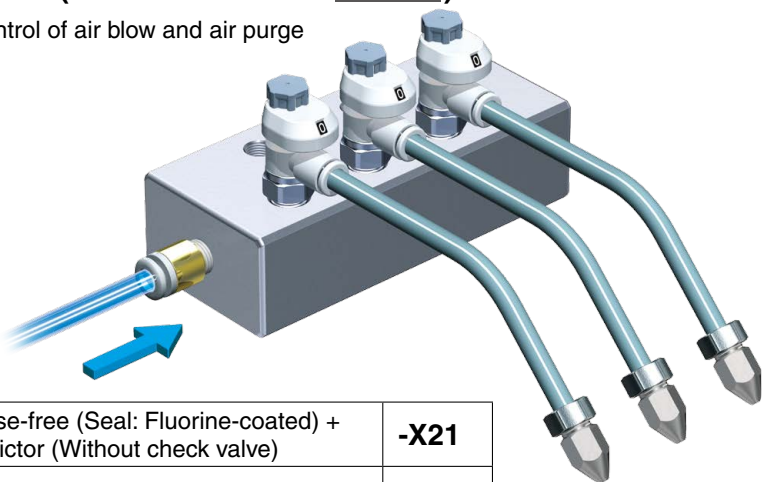
Seal method	Body size	Port size	Applicable tubing O.D.														Metal parts material	Applicable tubing material				
			Metric size							Inch size												
			2	3.2	4	6	8	10	12	16	1/8"	5/32"	1/4"	5/16"	3/8"	1/2"						
Gasket seal	1	M5 x 0.8	*1																		<ul style="list-style-type: none"> • Brass/ Steel wire • Stainless steel 	Nylon (T,TIA Series) Soft nylon (TS,TISA Series) Polyurethane (T,TIUB Series) Fluoropolymer (TLM,TILM Series) (TH,TIH Series)
		10-32UNF	*1																			
Sealant	2	R	1/8							*1												
			1/4	*1								*1										
	3	NPT	1/4																			
			3/8																			
4		1/2																	*1			
Face seal	2	G	1/8							*1												
			1/4	*1																		
	3		1/4																			
			3/8																			
4		1/2																	*1			
Gasket seal	2	Uni	1/8	*1	*1	*1	*1	*1	*1	*1												
			1/4	*1	*1	*1	*1	*1	*1													
	3		1/4																			
			3/8																			
4		1/2																	*1			

*1 The universal type is not available.

- ⊙ The electroless nickel plating type has been standardized.
- ⊙ The stainless steel type has been standardized.
- ⊙ The G thread (Face seal) type has been standardized.

Restrictor (Made to Order → p. 15, 27)

• Flow control of air blow and air purge



Grease-free (Seal: Fluorine-coated) + Restrictor (Without check valve)	-X21
Restrictor (Without check valve)	-X214

Speed Controller with Indicator (Elbow Type / Universal Type)

AS-FS Series



Model

Model	Port size	Seal method	Applicable tubing O.D.											*3 Max. number of rotations				
			Metric size						Inch size									
			2*2	3.2	4	6	8	10	12	16	1/8"	5/32"	1/4"		5/16"	3/8"	1/2"	
AS1□□1FS□-M5□	M5 x 0.8	Gasket seal	●*4	●	●	●							●	●	●			8
AS1□□1FS□-U10/32□	10-32UNF		●*4	●	●	●							●	●	●			
AS2□□1FS□-□01	R NPT	1/8		●	●	●	●	●*4				●	●	●	●			10
AS2□□1FS□-□02		1/4		●*4	●	●	●	●			●*4	●	●	●	●	●		
AS3□□1FS□-□02		1/4				●	●	●	●				●	●	●	●		
AS3□□1FS□-□03		3/8				●	●	●	●				●	●	●	●		
AS4□□1FS□-□04		1/2						●	●	●*4					●	●		
AS2□□1FS□-G01	G	1/8		●	●	●	●	●*4										10
AS2□□1FS□-G02		1/4		●*4	●	●	●	●										
AS3□□1FS□-G02		1/4				●	●	●	●									
AS3□□1FS□-G03		3/8				●	●	●	●									
AS4□□1FS□-G04		1/2						●	●	●*4								

*1 "Without sealant" type can be selected as a standard option.

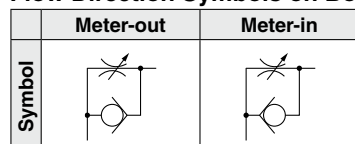
*2 Only polyurethane tubing is applicable for ø2.

*3 There are differences in actual rate as by the indicator window over the maximum number of rotations depending on the individual product.

*4 The universal type is not available.

Specifications

Flow Direction Symbols on Body



Fluid	Air
Proof pressure	1.5 MPa
Max. operating pressure	1 MPa
Min. operating pressure	0.1 MPa
Ambient and fluid temperature	-5 to 60°C (No freezing)
Applicable tubing material	Nylon, Soft nylon, Polyurethane*1, FEP, PFA

*1 Use caution at the max. operating pressure when using soft nylon or polyurethane tubing.
(For details, refer to the **Web Catalog**.)

Flow Rate and Sonic Conductance

⚠ Caution

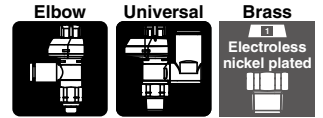
Be sure to read this before handling the products. Refer to the back cover for safety instructions. For flow control equipment precautions, refer to the "Handling Precautions for SMC Products" and the "Operation Manual" on the SMC website: <http://www.smcworld.com>

Model	AS1□□1FS-M5□	AS2□□1FS-01		AS2□□1FS-02			AS3□□1FS		AS4□□1FS						
Tubing O.D.	Metric size	ø2	ø3.2 ø4 ø6	ø3.2	ø4	ø6 ø8 ø10	ø3.2	ø4	ø6	ø8 ø10	ø6	ø8	ø10 ø12	ø10	ø12 ø16
	Inch size	—	ø1/8" ø1/4" ø5/32"	ø1/8"	ø5/32"	ø1/4" ø5/16"	ø1/8"	ø5/32"	—	ø1/4" ø5/16" ø3/8"	ø1/4"	ø5/16"	ø3/8"	ø3/8"	ø1/2"
C values: Sonic conductance dm³/(s·bar)	Free flow	0.2	0.3	0.4	0.6	0.6	0.7	1.0	1.3	1.5	1.6	1.7	2.5	4.4	4.8
	Controlled flow	0.2	0.3	0.4	0.7	0.8	0.6	0.9	1.3	2.1	2.4	3.3	4.4	4.9	
b values: Critical pressure ratio	Free flow	0.3	0.4	0.2	0.3	0.3	0.3	0.4	0.4	0.3	0.3	0.3	0.3	0.3	0.3
	Controlled flow	0.2	0.2	0.3	0.3	0.3	0.3	0.3	0.3	0.3	0.3	0.3	0.3	0.3	0.3

* 10-32UNF has the same specification as M5.

* C and b values are for controlled flow with the needle fully open and free flow with the needle fully closed.

AS-FS Series



How to Order



Width across flats (H)

E	8 mm
Nil	9 mm

Port size

M5	M5 x 0.8
U10/32	10-32UNF

Body size

1	M5 x 0.8 10-32UNF
---	----------------------

Applicable tubing O.D.*1

Metric size		Inch size	
02	ø2	01	ø1/8"
23	ø3.2*2	03	ø5/32"
04	ø4	07	ø1/4"
06	ø6		

*1 For selecting applicable tubing O.D., refer to the "Model" on page 4. Metric size and inch size types can be visually identified by color of the release button.

Metric size: Light gray
Inch size: Orange

*2 Use ø1/8" tubing.

Body size 1

AS 1 2 0 1FS [] - M5 E - 06 - []

Body size 2/3/4

AS 2 2 0 1FS [] - [] 01 - 06 S - []

Body size

2	1/8, 1/4
3	3/8
4	1/2

With indicator

Type

2	Elbow
3	Universal

Control type*1

0	Meter-out
1	Meter-in

*1 Meter-out and meter-in types can be visually identified by color of the knob. Meter-out: Gray Meter-in: Light blue

Made to Order
Refer to page 15 for details.

Seal method

Nil	Without sealant
S	With sealant

* Face seal type is used for the G thread type. Select "Nil/Without sealant". Example) AS2201FS-G01-06

Applicable tubing O.D.*1

Metric size		Inch size*3	
23	ø3.2*2	01	ø1/8"
04	ø4	03	ø5/32"
06	ø6	07	ø1/4"
08	ø8	09	ø5/16"
10	ø10	11	ø3/8"
12	ø12	13	ø1/2"
16	ø16		

*1 For selecting applicable tubing O.D., refer to the "Model" on page 4.

*2 Use ø1/8" tubing.

*3 Only the metric size is available for the G thread type.

Port size

01	1/8
02	1/4
03	3/8
04	1/2

Thread type

Nil	R
N	NPT
G	G



Made to Order
(For details, refer to page 15.)

Symbol	Specifications
-X12	Lubricant: Vaseline
-X21	Grease-free (Seal: Fluorine-coated) + Restrictor (Without check valve)
-X214	Restrictor (Without check valve)
10-	Clean series

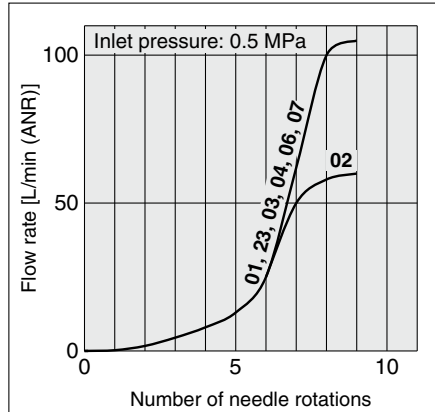
Indicator window direction

		Elbow	Universal
Nil	0°	●	—
1	180°	●	●
2	90°	●	—
3	270°	●	—

* Orientation of indicator direction is fixed when manufacturing, and cannot be changed by the user. In addition, the universal type is only available with 180° setting.

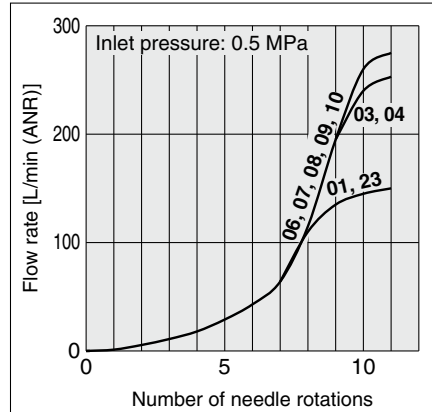
Needle Valve: Flow Rate Characteristics

AS1□01FS□-M5□, AS1□11FS□-M5□

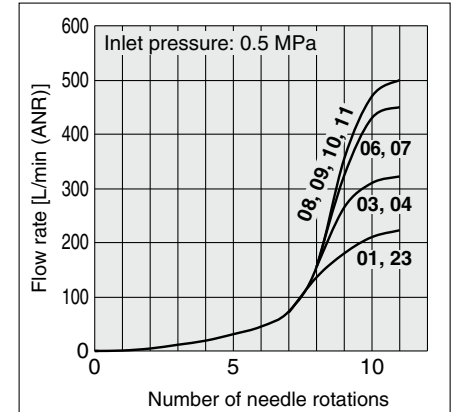


* -U10/32 has the same specification as M5.

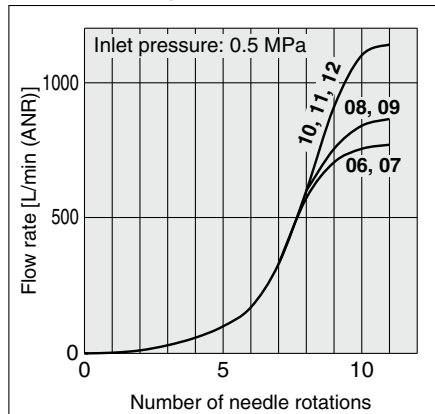
AS2□01FS□-01, AS2□11FS□-01



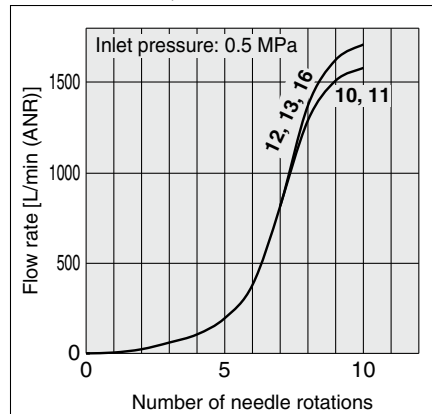
AS2□01FS□-02, AS2□11FS□-02



AS3□01FS□, AS3□11FS□



AS4□01FS□, AS4□11FS□



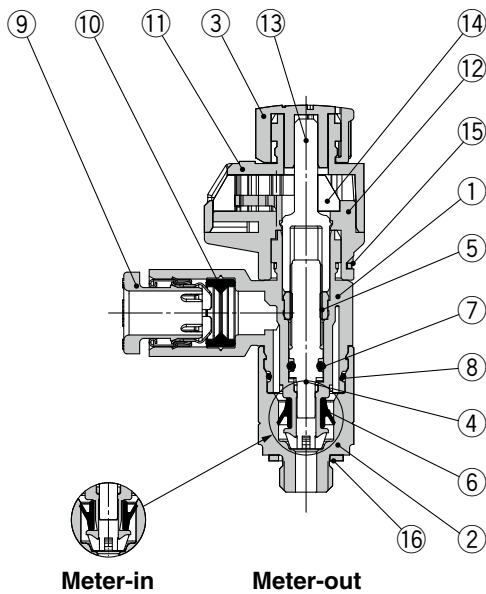
* The numbers above the flow rate characteristic curves in the charts show the applicable tubing outside diameter as defined by the product number.

AS-FS
AS-FSG
Uni-AS-FS

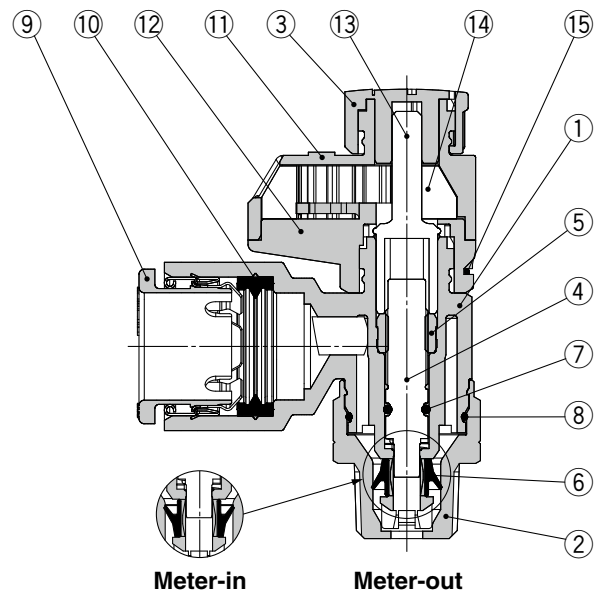
AS-FS Series

Construction: Elbow Type

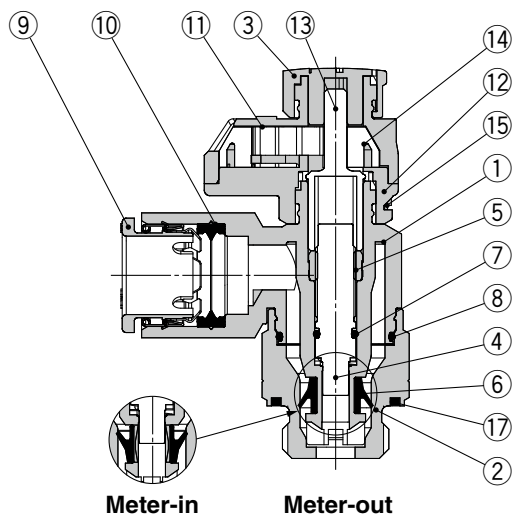
Seal method: Gasket seal
For M5, 10-32UNF



Seal method: Sealant
For R, NPT thread



Seal method: Face seal
For G thread

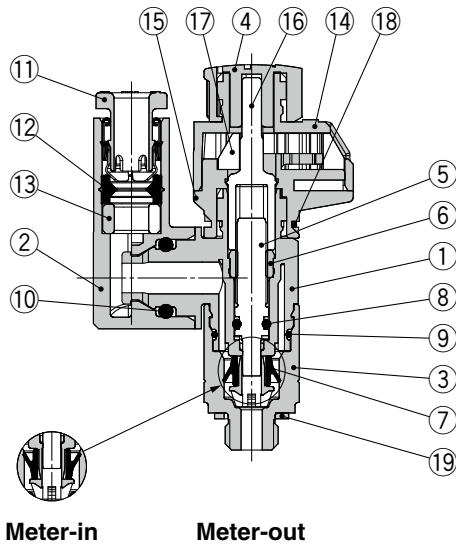


Component Parts

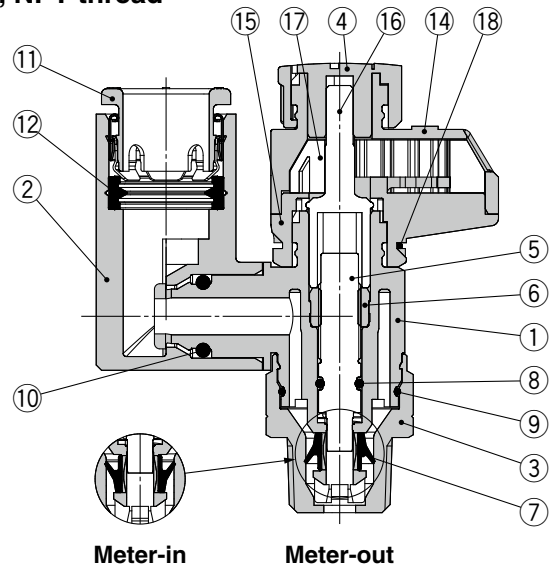
No.	Description	Material	Note
1	Body A	PBT	
2	Body B	Brass	Electroless nickel plating
3	Knob	POM	
4	Needle	PBT	
5	Needle guide	Brass	Electroless nickel plating
6	U-seal	HNBR	
7	O-ring	NBR	
8	O-ring	NBR	
9	Cassette	—	
10	Seal	NBR	
11	Bonnet A	POM	
12	Bonnet B	POM	
13	Gear	POM	
14	Indicator gear	POM	
15	Clip	Stainless steel	
16	Gasket	NBR/Stainless steel	
17	Seal	NBR	

Construction: **Universal Type**

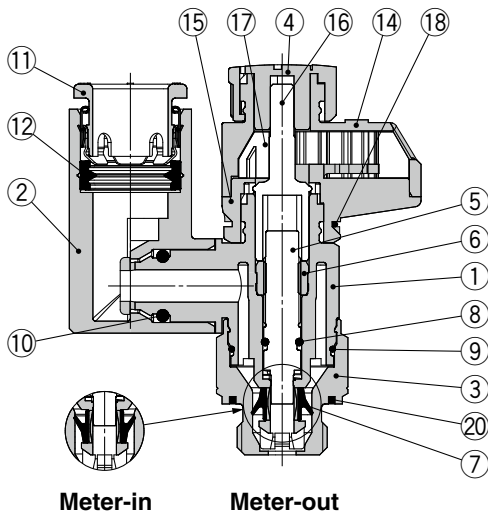
Seal method: Gasket seal
For M5, 10-32UNF



Seal method: Sealant
For R, NPT thread



Seal method: Face seal
For G thread



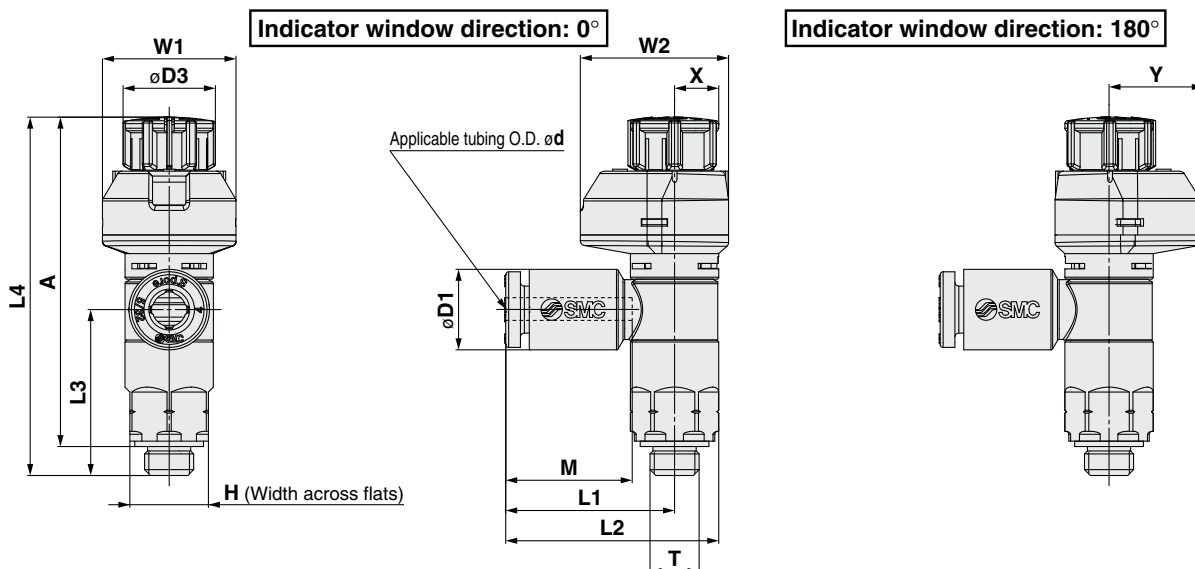
Component Parts

No.	Description	Material	Note
1	Body A	PBT	
2	Elbow body	PBT	
3	Body B	Brass	Electroless nickel plating
4	Knob	POM	
5	Needle	PBT	
6	Needle guide	Brass	Electroless nickel plating
7	U-seal	HNBR	
8	O-ring	NBR	
9	O-ring	NBR	
10	O-ring	NBR	
11	Cassette	—	
12	Seal	NBR	
13	Spacer	PBT	ø3.2 and ø1/8" only
14	Bonnet A	POM	
15	Bonnet B	POM	
16	Gear	POM	
17	Indicator gear	POM	
18	Clip	Stainless steel	
19	Gasket	NBR/Stainless steel	
20	Seal	NBR	

AS-FS Series

Dimensions: Elbow Type

Seal method: Gasket seal
For M5, 10-32UNF



Metric Size

Model	d	T	H*1	D1	D3	L1	L2	L3	L4*2		A*3		M	W1	W2	X	Y	Weight [g]	
									Unlocked	Locked	Unlocked	Locked							
AS12□1FS□-M5E-02	2	M5 x 0.8 10/32UNF	8 (9)	5.8	9.4	15.8	20.3	16.9	39	36.5	35	33.5	13.3	13.6	15.1	5.5	9.6	7	
AS12□1FS□-U10/32E-02				7.2		17.2	21.7												
AS12□1FS□-M5E-23	3.2			8.2		18.6	23.1												16.5
AS12□1FS□-U10/32E-23				10.4		18.6	23.1												16.5
AS12□1FS□-M5E-04	4			10.4		18.6	23.1												16.5
AS12□1FS□-U10/32E-04	6			10.4		18.6	23.1												16.5
AS12□1FS□-M5E-06		10.4	18.6	23.1	16.5														
AS12□1FS□-U10/32E-06	6	10.4	18.6	23.1	16.5														

*1 The value in () indicates that the dimension for the width across flats is 9 mm.

*2 Reference dimensions

*3 Reference dimensions of threads after installation

Inch Size

Model	d	T	H*1	D1	D3	L1	L2	L3	L4*2		A*3		M	W1	W2	X	Y	Weight [g]	
									Unlocked	Locked	Unlocked	Locked							
AS12□1FS□-M5E-01	1/8"	M5 x 0.8 10/32UNF	8 (9)	7.2	9.4	17.2	21.7	16.9	39	36.5	35	33.5	13.3	13.6	15.1	5.5	9.6	7	
AS12□1FS□-U10/32E-01				8.2		18.6	23.1												16.5
AS12□1FS□-M5E-03	5/32"			11.2		18.6	23.1												16.5
AS12□1FS□-U10/32E-03				11.2		18.6	23.1												16.5
AS12□1FS□-M5E-07	1/4"			11.2		18.6	23.1												16.5
AS12□1FS□-U10/32E-07				11.2		18.6	23.1												16.5

*1 The value in () indicates that the dimension for the width across flats is 9 mm.

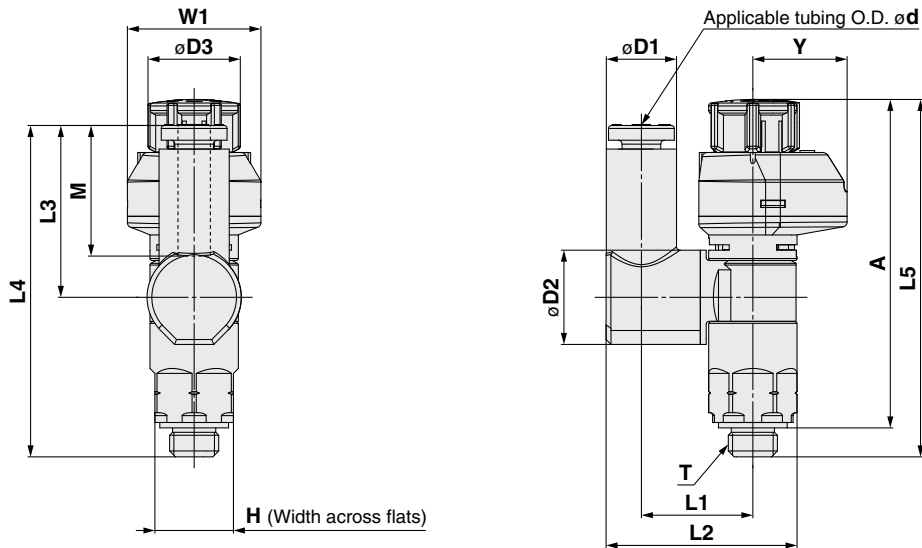
*2 Reference dimensions

*3 Reference dimensions of threads after installation



Dimensions: **Universal Type**

Seal method: Gasket seal
For M5, 10-32UNF



Metric Size

Model	d	T	H*1	D1	D2	D3	L1	L2	L3	L4	L5*2		A*3		M	W1	Y	Weight [g]
											Unlocked	Locked	Unlocked	Locked				
AS13□1FS1-M5E-23	3.2	M5 x 0.8	8 (9)	7.2	9.6	9.4	11.6	19.4	17.5	33.8	39	36.5	35	33.5	13.3	13.6	9.6	7
AS13□1FS1-U10/32-23				8.2														
AS13□1FS1-M5E-04	4	M5 x 0.8	8 (9)	8.2	9.6	9.4	11.5	19.8	20.4	36.6	39	36.5	35	33.5	13.3	13.6	9.6	8
AS13□1FS1-U10/32-04				10.4														
AS13□1FS1-M5E-06	6	M5 x 0.8	8 (9)	10.4	9.6	9.4	11.5	20.9	20.4	36.6	39	36.5	35	33.5	13.3	13.6	9.6	8
AS13□1FS1-U10/32-06				10.4														

*1 The value in () indicates that the dimension for the width across flats is 9 mm.

*2 Reference dimensions

*3 Reference dimensions of threads after installation

Inch Size

Model	d	T	H*1	D1	D2	D3	L1	L2	L3	L4	L5*2		A*3		M	W1	Y	Weight [g]
											Unlocked	Locked	Unlocked	Locked				
AS13□1FS1-M5E-01	1/8	M5 x 0.8	8 (9)	7.2	9.6	9.4	11.6	19.4	17.5	33.8	39	36.5	35	33.5	13.3	13.6	9.6	7
AS13□1FS1-U10/32-01				8.2														
AS13□1FS1-M5E-03	5/32	M5 x 0.8	8 (9)	8.2	9.6	9.4	11.5	19.8	20.4	36.6	39	36.5	35	33.5	13.3	13.6	9.6	8
AS13□1FS1-U10/32-03				11.2														
AS13□1FS1-M5E-07	1/4	M5 x 0.8	8 (9)	11.2	9.6	9.4	11.5	21.3	20.4	36.6	39	36.5	35	33.5	13.3	13.6	9.6	8
AS13□1FS1-U10/32-07				11.2														

*1 The value in () indicates that the dimension for the width across flats is 9 mm.

*2 Reference dimensions

*3 Reference dimensions of threads after installation

AS-FS

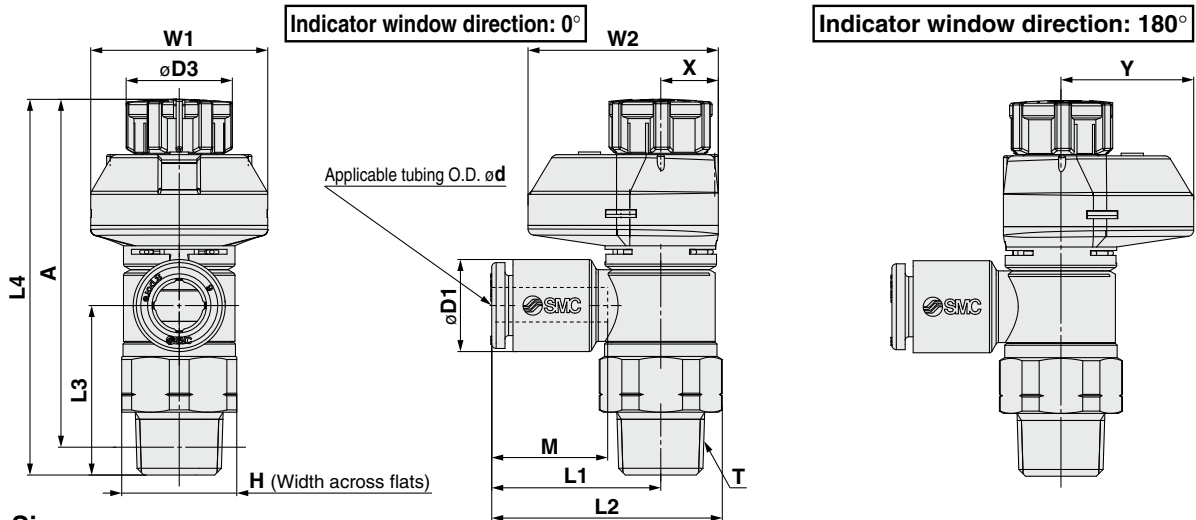
AS-FSG

Uni-AS-FS

AS-FS Series

Dimensions: Elbow Type

Seal method: Sealant
For R, NPT thread



Metric Size

Model	d	T (R, NPT)	H	D1	D3	L1	L2	L3	L4*1		A*2		M	W1	W2	X	Y	Weight [g]			
									Unlocked	Locked	Unlocked	Locked									
AS22□1FS□-01-23 (S)	3.2	1/8 (12.7)	13	7.2	12	19.1	26.2	19.1	43.9	42.4	40.8	39.3	13.3	20	21.5	6.5	15	13 (13)			
AS22□1FS□-01-04 (S)	4			8.2															14 (13)		
AS22□1FS□-01-06 (S)	6			10.4															15 (14)		
AS22□1FS□-01-08 (S)	8			13.2															16 (15)		
AS22□1FS□-01-10 (S)	10			15.9															25.3	32.4	15.6
AS22□1FS□-02-23 (S)	3.2	1/4 (17.5)	17	7.2	13	20.9	30.2 (30.3)	22.6	49.7	48.3	44.2	42.8	13.3	21.5	24	7.8	16.2	23 (24)			
AS22□1FS□-02-04 (S)	4			8.2															24 (25)		
AS22□1FS□-02-06 (S)	6			10.4															25 (26)		
AS22□1FS□-02-08 (S)	8			13.2															26.9	36.2 (36.3)	15.6
AS22□1FS□-02-10 (S)	10			15.9															26.9	36.2 (36.3)	15.6
AS32□1FS□-02-06 (S)	6	1/4	19	10.4	16.6	21.8	32.1	36.4	63.1	61.7	57.9	56.5	13.3	24.5	28.5	9.3	19.2	47 (48)			
AS32□1FS□-02-08 (S)	8			13.2															33	14.2	
AS32□1FS□-02-10 (S)	10			15.9															37	35.7	15.6
AS32□1FS□-02-12 (S)	12			18.5															40	34.5	17
AS32□1FS□-03-06 (S)	6			10.4															21.8	32.1	28.7
AS32□1FS□-03-08 (S)	8	13.2	22.7	33	28.7	14.2	24.5	28.5	9.3	19.2	38 (39)										
AS32□1FS□-03-10 (S)	10	15.9	26.7	37	28	15.6															
AS32□1FS□-03-12 (S)	12	18.5	29.7	40	26.8	17															
AS42□1FS□-04-10 (S)	10	15.9	27.4	40.3 (40.2)	36.2	15.6															
AS42□1FS□-04-12 (S)	12	18.5	30.8	43.7 (43.6)	35.1	17						26	29	10	19	64 (63)					
AS42□1FS□-04-16 (S)	16	23.8	34.8	47.7 (47.6)	32.7	20.6	68 (67)														

*1 Reference dimensions *2 Reference dimensions of threads after installation * The values in () are for NPT thread.

Inch Size

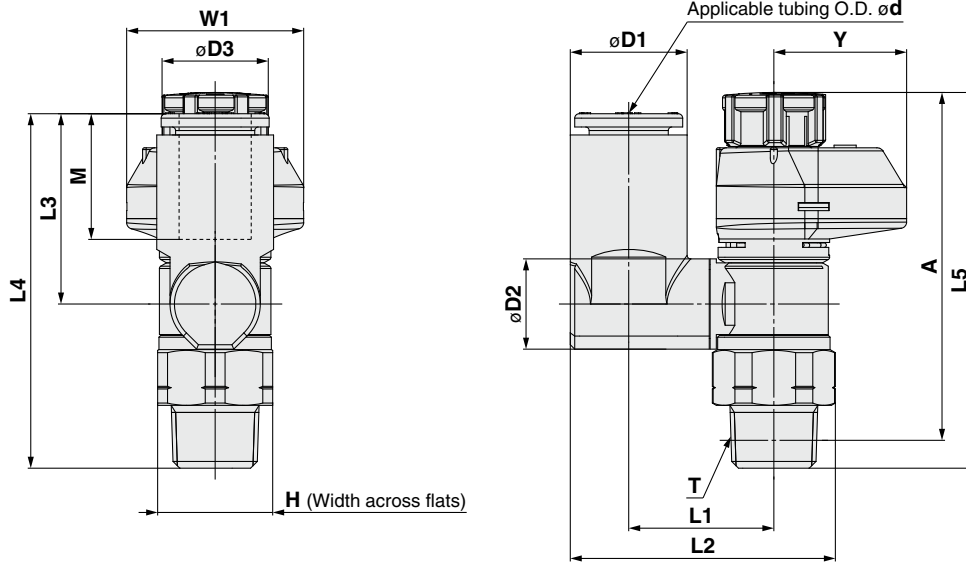
Model	d	T (R, NPT)	H	D1	D3	L1	L2	L3	L4*1		A*2		M	W1	W2	X	Y	Weight [g]			
									Unlocked	Locked	Unlocked	Locked									
AS22□1FS□-01-01 (S)	1/8"	1/8 (12.7)	13	7.2	12	19.1	26.2	19.1	43.9	42.4	40.8	39.3	13.3	20	21.5	6.5	15	13 (13)			
AS22□1FS□-01-03 (S)	5/32"			8.2															14 (13)		
AS22□1FS□-01-07 (S)	1/4"			11.2															15 (14)		
AS22□1FS□-01-09 (S)	5/16"			13.2															16 (15)		
AS22□1FS□-02-01 (S)	1/8"			7.2															25.3	32.4	15.6
AS22□1FS□-02-03 (S)	5/32"	8.2	20.9	30.2 (30.3)	22.6	49.7	48.3	44.2	42.8	13.3	21.5	24	7.8	16.2	23 (24)						
AS22□1FS□-02-07 (S)	1/4"	11.2	13	23.4	32.7 (32.8)	22.6	49.7	48.3	44.2	42.8											
AS22□1FS□-02-09 (S)	5/16"	13.2	23.4	32.7 (32.8)	22.6	49.7	48.3	44.2	42.8	14.2											
AS22□1FS□-02-11 (S)	3/8"	15.5	26.4	35.7 (35.8)	22.6	49.7	48.3	44.2	42.8	15.6											
AS32□1FS□-02-07 (S)	1/4"	11.2	21.8	32.1	36.4	63.1	61.7	57.9	56.5	13.3											
AS32□1FS□-02-09 (S)	5/16"	13.2	16.6	22.7	33	36.4	63.1	61.7	57.9	56.5	14.2	24.5	28.5	9.3	19.2	47 (48)					
AS32□1FS□-02-11 (S)	3/8"	15.5	26.7	37	35.9	63.1	61.7	57.9	56.5	15.6											
AS32□1FS□-03-07 (S)	1/4"	11.2	21.8	32.1	28.7	55.4	54	50.2	48.8	13.3											
AS32□1FS□-03-09 (S)	5/16"	13.2	16.6	22.7	33	28.7	55.4	54	50.2	48.8	14.2						24.5	28.5	9.3	19.2	38 (39)
AS32□1FS□-03-11 (S)	3/8"	15.5	26.7	37	28.2	55.4	54	50.2	48.8	15.6											
AS42□1FS□-04-11 (S)	3/8"	1/2 (23.8)	24	15.5	18.8	27.4	40.3 (40.2)	36.2	64.1	62.5	57	55.4	15.6	26	29	10	19	62 (61)			
AS42□1FS□-04-13 (S)	1/2"			19.3		30.9	43.8 (43.7)	34.7					17						64 (63)		

*1 Reference dimensions *2 Reference dimensions of threads after installation * The values in () are for NPT thread.



Dimensions: **Universal Type**

Seal method: Sealant
For R, NPT thread



Metric Size

Model	d	T	H	D1	D2	D3	L1	L2	L3	L4	L5		A		M	W1	Y	Weight [g]													
											Unlocked	Locked	Unlocked	Locked																	
AS23□1FS1-01-23 (S)	3.2	1/8	13 (12.7)	7.2	9.6	12	13.3	24	17.5	36	43.9	42.4	40.8	39.3	13.3	20	15	14													
AS23□1FS1-01-04 (S)	4			8.2			13.9	25.1										15													
AS23□1FS1-01-06 (S)	6			10.4			26.2	20.4										16													
AS23□1FS1-01-08 (S)	8	1/4	17 (17.5)	13.2	12.9	13	16.4	30.1	21.5	40	49.7	48.3	44.2	42.8	14.2	21.5	16.2	16													
AS23□1FS1-02-04 (S)	4			8.2			16.5	29.9										17.5	40.1	24											
AS23□1FS1-02-06 (S)	6			11.2			19	33.8										21.4	43.9	26											
AS23□1FS1-02-08 (S)	8			13.2			20.9	34.9										23.5	46	27											
AS23□1FS1-02-10 (S)	10			15.9			20.9	38.1										24.7	47.3	28											
AS33□1FS1-02-06 (S)	6			1/4			19	11.2										12.9	16.6	20.2	36	21.4	57.8	63.1	61.7	57.9	56.5	13.3	24.5	19.2	49
AS33□1FS1-02-08 (S)	8	13.2	20.2		37.1	23.5		59.9	50																						
AS33□1FS1-02-10 (S)	10	15.9	23		41.2	26.1		62.5	53																						
AS33□1FS1-02-12 (S)	12	18.5	23		42.5	28.3		64.7	55																						
AS33□1FS1-03-06 (S)	6	3/8	19		10.4	12.9		16.6	20.2	36	21.4	50.1	55.4	54	50.2	48.8	13.3			24.5	19.2										41
AS33□1FS1-03-08 (S)	8				13.2				20.2	37.1																					23.5
AS33□1FS1-03-10 (S)	10			15.9	23		41.2		26.1	54.8								45													
AS33□1FS1-03-12 (S)	12			18.5	23		42.5		28.3	57								47													
AS43□1FS1-04-10 (S)	10			1/2	24 (23.8)		15.9		17.4	18.8								25.6	46.4			26.1	61.2	64.1	62.5	57	55.4	15.6	26	19	69
AS43□1FS1-04-12 (S)	12						18.5											21	26.2												48.3

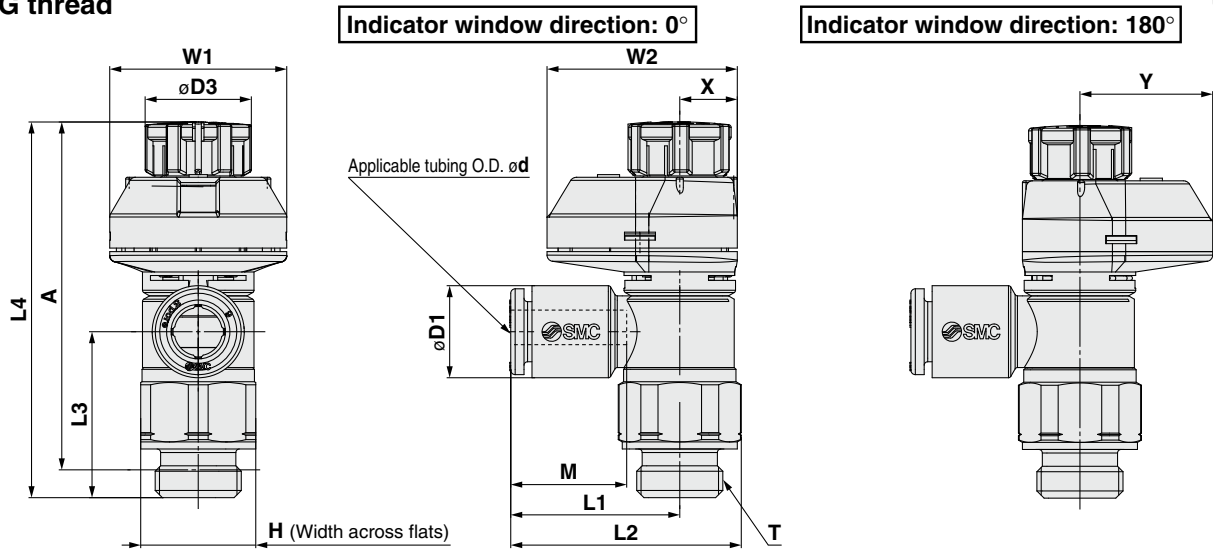
Inch Size

Model	d	T	H	D1	D2	D3	L1	L2	L3	L4	L5		A		M	W1	Y	Weight [g]															
											Unlocked	Locked	Unlocked	Locked																			
AS23□1FS1-01-01 (S)	1/8	1/8	13 (12.7)	7.2	9.6	12	13.3	24	17.5	36	43.9	42.4	40.8	39.3	13.3	20	15	14															
AS23□1FS1-01-03 (S)	5/32			8.2			13.9	25.1										15															
AS23□1FS1-01-07 (S)	1/4			11.2			16.4	29.1										20.2	38.7	16													
AS23□1FS1-01-09 (S)	5/16	1/4	17 (17.5)	13.2	12.9	13	16.4	30.1	21.5	40	49.7	48.3	44.2	42.8	14.2	21.5	16.2	16															
AS23□1FS1-02-03 (S)	5/32			8.2			16.5	29.9										17.5	40.1	24													
AS23□1FS1-02-07 (S)	1/4			11.2			19	33.8										21.4	43.9	26													
AS23□1FS1-02-09 (S)	5/16			13.2			20.9	34.9										23.5	46	27													
AS23□1FS1-02-11 (S)	3/8			15.9			20.9	38.1										24.7	47.3	28													
AS33□1FS1-02-07 (S)	1/4			3/8			19	11.2										12.9	16.6	20.2	36	21.4	57.8	63.1	61.7	57.9	56.5	13.3	24.5	19.2	49		
AS33□1FS1-02-09 (S)	5/16	13.2	20.2		37.1	23.5		59.9	50																								
AS33□1FS1-02-11 (S)	3/8	15.9	23		41.2	26.1		62.5	53																								
AS33□1FS1-03-07 (S)	1/4	3/8	19		11.2	12.9		16.6	20.2	36	21.4	50.1	55.4	54	50.2	48.8	13.3			24.5	19.2										41		
AS33□1FS1-03-09 (S)	5/16				13.2				20.2	37.1																					23.5	52.2	42
AS33□1FS1-03-11 (S)	3/8				15.9				23	41.2																					26.1	54.8	45
AS43□1FS1-04-11 (S)	3/8			1/2	24 (23.8)		15.9		17.4	18.8								25.6	46.4			26.1	61.2	64.1	62.5	57	55.4	15.6	26	19	69		
AS43□1FS1-04-13 (S)	1/2						18.5											21	26.2												48.3	28.3	63.4

AS-FS Series

Dimensions: Elbow Type

Seal method: Face seal
For G thread



Metric Size

Model	d	T	H	D1	D3	L1	L2	L3	L4*1		A*2		M	W1	W2	X	Y	Weight [g]				
									Unlocked	Locked	Unlocked	Locked										
AS22□1FS□-G01-23	3.2	1/8	13	7.2	12	19.1	26.2	18.8	43.8	42.4	38.3	36.9	13.3	20	21.5	6.5	15	14				
AS22□1FS□-G01-04	4			8.2																		
AS22□1FS□-G01-06	6			10.4															22.4	29.5	14.2	
AS22□1FS□-G01-10	10			15.9															25.3	32.4	15.6	
AS22□1FS□-G02-23	3.2	1/4	17	7.2	13	20.9	30.2	22.6	49.7	48.3	43.2	41.8	13.3	21.5	24	7.8	16.2	26				
AS22□1FS□-G02-04	4			8.2																		
AS22□1FS□-G02-06	6			10.4															23.4	32.7	14.2	
AS22□1FS□-G02-08	8			13.2															23.9	33.2	15.6	
AS22□1FS□-G02-10	10	15.9	26.9	36.2	15.6																	
AS32□1FS□-G02-06	6	1/4	21	10.4	16.6	21.8	33	36.4	63.1	61.7	54.6	53.2	13.3	24.5	28.5	9.3	19.2	55				
AS32□1FS□-G02-08	8			13.2															22.7	33.9	14.2	
AS32□1FS□-G02-10	10			15.9															26.7	37.9	15.6	
AS32□1FS□-G02-12	12			18.5															29.7	40.9	17	
AS32□1FS□-G03-06	6	3/8	21	10.4	16.6	21.8	33	28.7	55.4	54	47.9	46.5	13.3	24.5	28.5	9.3	19.2	45				
AS32□1FS□-G03-08	8			13.2															22.7	33.9	14.2	
AS32□1FS□-G03-10	10			15.9															26.7	37.9	15.6	
AS32□1FS□-G03-12	12			18.5															29.7	40.9	17	
AS42□1FS□-G04-10	10	1/2	27	15.9	18.8	27.4	41.8	36.2	64.1	62.5	55.1	53.5	15.6	26	29	10	19	80				
AS42□1FS□-G04-12	12			18.5															30.8	45.2	35.1	17
AS42□1FS□-G04-16	16			23.8															34.8	49.2	32.7	20.6

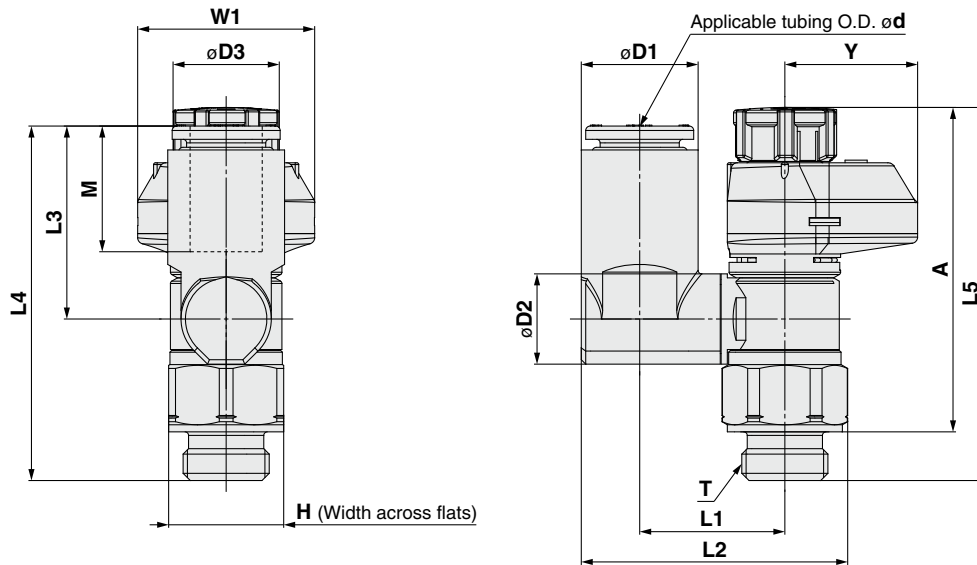
*1 Reference dimensions

*2 Reference dimensions of threads after installation



Dimensions: **Universal Type**

Seal method: Face seal
For G thread



Metric Size

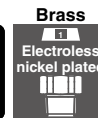
Model	d	T	H	D1	D2	D3	L1	L2	L3	L4	L5		A		M	W1	Y	Weight [g]		
											Unlocked	Locked	Unlocked	Locked						
AS23□1FS1-G01-23	3.2	1/8	13	7.2	9.6	12	13.2	24	17.5	35.7	43.8	42.4	38.3	36.9	13.3	20	15	14		
AS23□1FS1-G01-04	4			8.2			13.9	25.1										15		
AS23□1FS1-G01-06	6			10.4			26.2	20.4										15		
AS23□1FS1-G01-08	8	1/4	17	13.2	10.2	13	16.4	30.1	21.5	39.7	49.7	48.3	43.2	41.8	14.2	21.5	16.2	16		
AS23□1FS1-G02-04	4			8.2			16.5	29.9										17.5	40.1	26
AS23□1FS1-G02-06	6			10.4			19	33.8										21.4	43.9	28
AS23□1FS1-G02-08	8	1/4	17	13.2	12.9	13	20.9	34.9	23.5	46	63.1	61.7	54.6	53.2	14.2	24.5	19.2	29		
AS23□1FS1-G02-10	10			15.9			20.9	38.1										24.7	47.3	32
AS33□1FS1-G02-06	6			10.4			20.2	36.1										21.4	57.8	55
AS33□1FS1-G02-08	8	1/4	21	13.2	12.9	16.6	23	38	23.5	59.9	63.1	61.7	54.6	53.2	14.2	24.5	19.2	56		
AS33□1FS1-G02-10	10			15.9			23	42.2										26.1	58	59
AS33□1FS1-G02-12	12			18.5			23	43.5										28.3	59.9	61
AS33□1FS1-G03-06	6	3/8	21	10.4	12.9	16.6	20.2	36.6	21.4	50.1	55.4	54	47.9	46.5	13.3	24.5	19.2	45		
AS33□1FS1-G03-08	8			13.2			38	23.5										52.2	46	
AS33□1FS1-G03-10	10			15.9			23	42.2										28.1	50.3	47
AS33□1FS1-G03-12	12	1/2	27	18.5	17.4	18.8	25.6	43.5	28.3	52.2	64.1	62.5	55.1	53.5	15.6	26	19	49		
AS43□1FS1-G04-10	10			15.9			25.6	47.9										26.1	61.2	80
AS43□1FS1-G04-12	12			18.5			26.2	49.8										28.3	63.4	82

AS-FS
AS-FSG
Uni-AS-FS

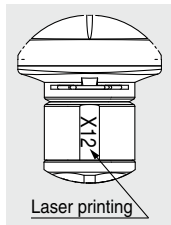
AS-FS Series

Made to Order

Please contact SMC for detailed dimensions, specifications and lead times.

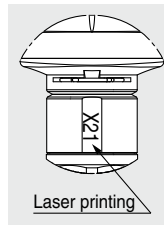


1 Lubricant: Vaseline -X12



Example) AS2201FS-01-04S-X12

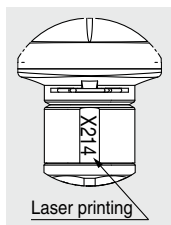
2 Grease-free (Seal: Fluorine-coated) + Restrictor (Without check valve) -X21



Example) AS2201FS-01-04S-X21

- Note 1) Not particle-free
- Note 2) This product is a restrictor without a check valve (no control direction). Be aware that all part numbers are for a meter-out type; there is no part number for a meter-in type.
- Note 3) Only the needle and O-ring are fluorine-coated.

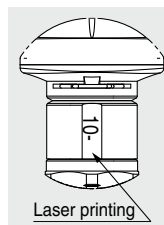
3 Restrictor (Without check valve) -X214



Example) AS2201FS-01-04S-X214

Note) This product is a restrictor without a check valve (no control direction). Be aware that all part numbers are for a meter-out type; there is no part number for a meter-in type.

4 Clean Series 10-

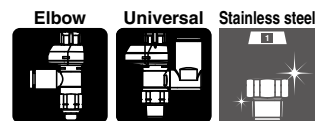


Example) 10-AS2201FS-01-04S

- Note 1) Fluorine grease is used.
- Note 2) The cleanliness class (ISO class) is 5.

Stainless Steel Type Speed Controller with Indicator (Elbow Type / Universal Type)

AS-FSG Series



Model

Model	Port size	Seal method	Applicable tubing O.D.										*3 Max. number of rotations				
			Metric size					Inch size									
			2*2	3.2	4	6	8	10	12	16	1/8"	5/32"		1/4"	5/16"	3/8"	1/2"
AS1□□1FSG□-M5	M5 x 0.8	Gasket seal	●*4	●	●	●						●	●	●			8
AS1□□1FSG□-U10/32	10-32UNF		●*4	●	●	●						●	●	●			
AS2□□1FSG□-□01	R NPT	Sealant*1		●	●	●	●	●*4				●	●	●	●		10
AS2□□1FSG□-□02			1/8		●*4	●	●	●	●			●*4	●	●	●	●	
AS3□□1FSG□-□02			1/4			●	●	●	●	●			●	●	●	●	
AS3□□1FSG□-□03			3/8				●	●	●	●	●		●	●	●	●	
AS4□□1FSG□-□04			1/2						●	●	●*4			●	●	●	
AS2□□1FSG□-G01	G	Face seal		●	●	●	●	●*4									10
AS2□□1FSG□-G02			1/8		●*4	●	●	●	●								
AS3□□1FSG□-G02			1/4			●	●	●	●	●							
AS3□□1FSG□-G03			3/8				●	●	●	●							
AS4□□1FSG□-G04			1/2						●	●	●*4						

*1 "Without sealant" type can be selected as a standard option.

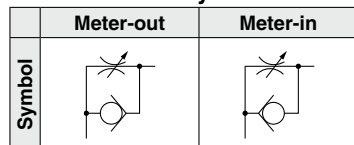
*2 Only polyurethane tubing is applicable for ø2.

*3 There are differences in actual rate as by the indicator window over the maximum number of rotations depending on the individual product.

*4 The universal type is not available.

Specifications

Flow Direction Symbols on Body



Fluid	Air
Proof pressure	1.5 MPa
Max. operating pressure	1 MPa
Min. operating pressure	0.1 MPa
Ambient and fluid temperature	-5 to 60°C (No freezing)
Applicable tubing material	Nylon, Soft nylon, Polyurethane*1, FEP, PFA

*1 Use caution at the max. operating pressure when using soft nylon or polyurethane tubing.
(For details, refer to the **Web Catalog**.)

Flow Rate and Sonic Conductance

⚠ Caution

Be sure to read this before handling the products. Refer to the back cover for safety instructions. For flow control equipment precautions, refer to the "Handling Precautions for SMC Products" and the "Operation Manual" on the SMC website: <http://www.smcworld.com>

Model	AS1□□1FSG□-M5	AS2□□1FSG□-01	AS2□□1FSG□-02	AS3□□1FSG□	AS4□□1FSG□
Tubing O.D.	Metric size	ø2 ø3.2 ø4 ø6	ø3.2 ø4 ø6 ø8 ø10	ø3.2 ø4 ø6 ø8 ø10	ø6 ø8 ø10 ø12 ø16
	Inch size	— ø1/8" ø1/4" ø5/32"	ø1/8" ø5/32" ø1/4" ø5/16"	ø1/8" ø5/32" — ø1/4" ø5/16" ø3/8"	ø1/4" ø5/16" ø3/8" ø3/8" ø1/2"
C values: Sonic conductance dm³/(s·bar)	Free flow	0.2 0.3	0.4 0.6 0.6	0.7 1.0 1.3 1.5	1.6 1.7 2.5 4.4 4.8
	Controlled flow	0.2 0.3	0.4 0.7 0.8	0.6 0.9 1.3	2.1 2.4 3.3 4.4 4.9
b values: Critical pressure ratio	Free flow	0.3 0.4	0.2 0.3	0.3 0.4	0.4 0.3 0.3
	Controlled flow	0.2	0.2 0.3	0.3	0.3 0.3

* 10-32UNF has the same specification as M5.

* C and b values are for controlled flow with the needle fully open and free flow with the needle fully closed.

AS-FSG Series



How to Order

Applicable tubing O.D.*1

Metric size		Inch size	
02	ø2	01	ø1/8"
23	ø3.2*2	03	ø5/32"
04	ø4	07	ø1/4"
06	ø6		

*1 For selecting applicable tubing O.D., refer to the "Model" on page 16.
Metric size and inch size types can be visually identified by color of the release button.
Stainless steel type: White
White is also used for inch size.
*2 Use ø1/8" tubing.

Body size

1	M5 x 0.8 10-32UNF
---	----------------------

Port size

M5	M5 x 0.8
U10/32	10-32UNF

Body size 1

AS 1 2 0 1 F S G [] - M5 - 06 - []

Body size 2/3/4

AS 2 2 0 1 F S G [] - [] 01 - 06 S - []

Body size

2	1/8, 1/4
3	3/8
4	1/2

Type

2	Elbow
3	Universal

With indicator

Control type*1

0	Meter-out
1	Meter-in

*1 Meter-out and meter-in types can be visually identified by color of the knob.
Meter-out: Gray
Meter-in: Light blue

Stainless steel type

* Metric size and inch size types can be visually identified by color of the release button.
Stainless steel type: White
* White is also used for inch size.

Indicator window direction

			Elbow	Universal
Nil	0°		●	—
1	180°		●	●
2	90°		●	—
3	270°		●	—

* Orientation of indicator direction is fixed when manufacturing, and cannot be changed by the user. In addition, the universal type is only available with 180° setting.

Made to Order

Refer to page 27 for details.

Seal method

Nil	Without sealant
S	With sealant

* Face seal type is used for the G thread type.
Select "Nil/Without sealant".
Example) AS2201FSG-G01-06

Applicable tubing O.D.*1

Metric size		Inch size*3	
23	ø3.2*2	01	ø1/8"
04	ø4	03	ø5/32"
06	ø6	07	ø1/4"
08	ø8	09	ø5/16"
10	ø10	11	ø3/8"
12	ø12	13	ø1/2"
16	ø16		

*1 For selecting applicable tubing O.D., refer to the "Model" on page 16.

*2 Use ø1/8" tubing.

*3 Only the metric size is available for the G thread type.

Port size

01	1/8
02	1/4
03	3/8
04	1/2

Thread type

Nil	R
N	NPT
G	G

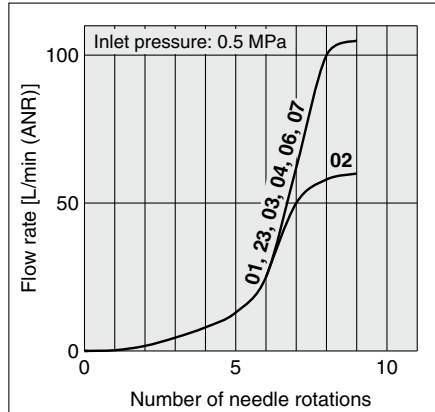


Made to Order
(For details, refer to page 27.)

Symbol	Specifications
-X12	Lubricant: Vaseline
-X21	Grease-free (Seal: Fluorine-coated) + Restrictor (Without check valve)
-X214	Restrictor (Without check valve)
10-	Clean series

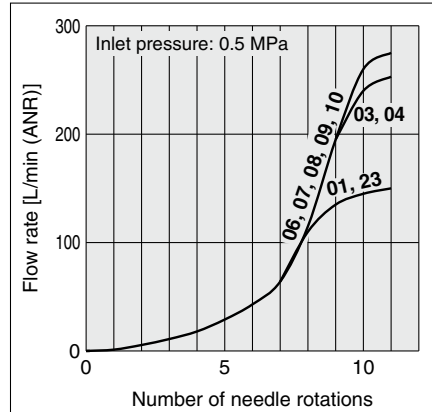
Needle Valve: Flow Rate Characteristics

AS1□01FSG□-M5, AS1□11FSG□-M5

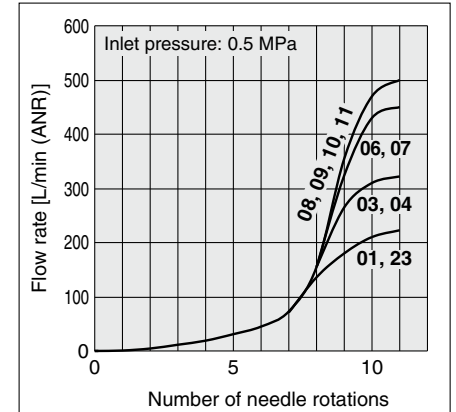


* -U10/32 has the same specification as M5.

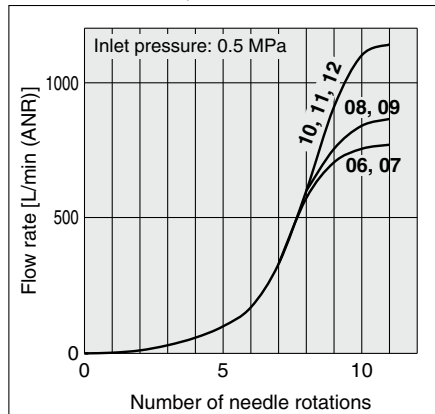
AS2□01FSG□-01, AS2□11FSG□-01



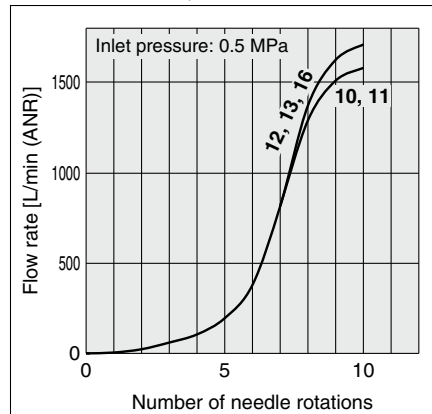
AS2□01FSG□-02, AS2□11FSG□-02



AS3□01FSG□, AS3□11FSG□



AS4□01FSG□, AS4□11FSG□



* The numbers above the flow rate characteristic curves in the charts show the applicable tubing outside diameter as defined by the product number.

AS-FS

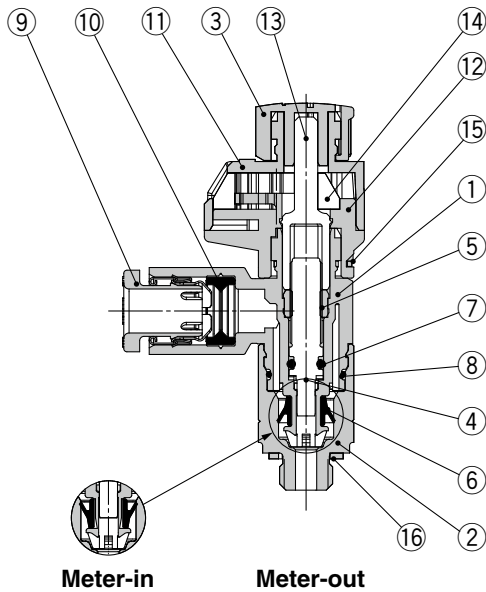
AS-FSG

Uni-AS-FS

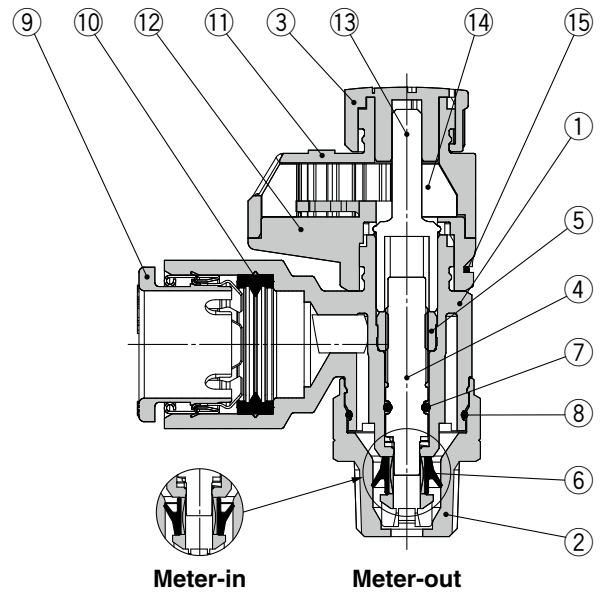
AS-FSG Series

Construction: Elbow Type

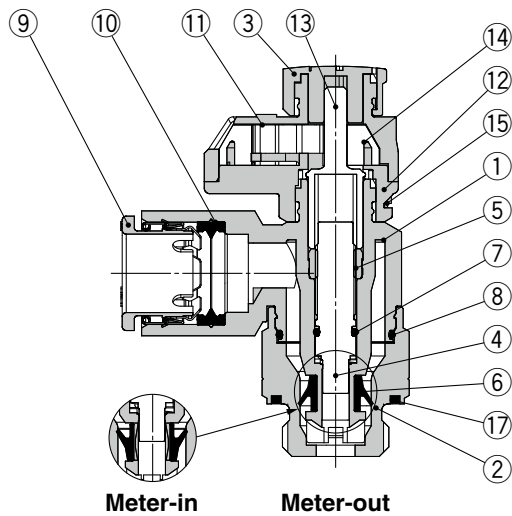
Seal method: Gasket seal
For M5, 10-32UNF



Seal method: Sealant
For R, NPT thread



Seal method: Face seal
For G thread

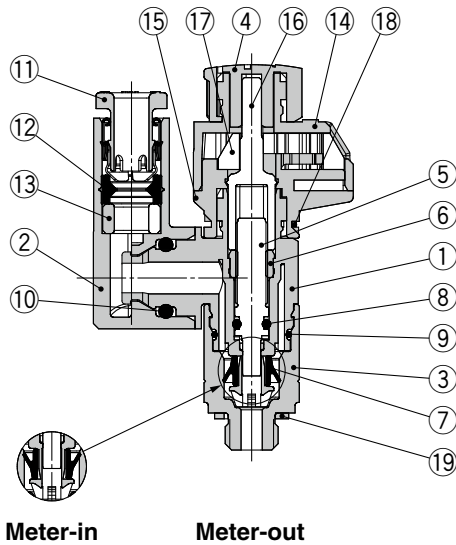


Component Parts

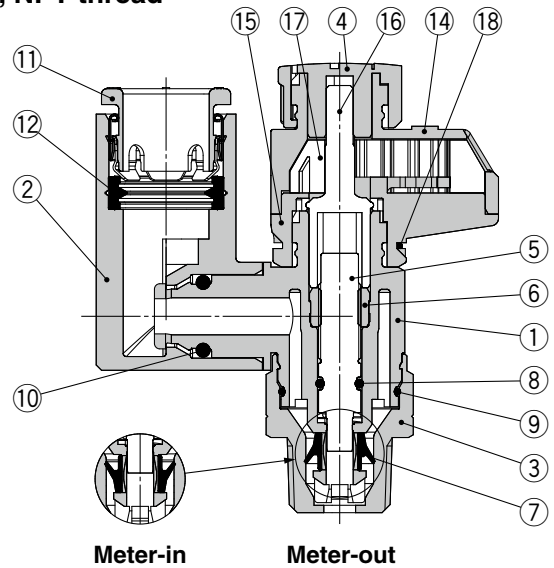
No.	Description	Material	Note
1	Body A	PBT	
2	Body B	Stainless steel	
3	Knob	POM	
4	Needle	PBT	
5	Needle guide	Stainless steel	
6	U-seal	HNBR	
7	O-ring	NBR	
8	O-ring	NBR	
9	Cassette	—	
10	Seal	NBR	
11	Bonnet A	POM	
12	Bonnet B	POM	
13	Gear	POM	
14	Indicator gear	POM	
15	Clip	Stainless steel	
16	Gasket	NBR/Stainless steel	
17	Seal	NBR	

Construction: Universal Type

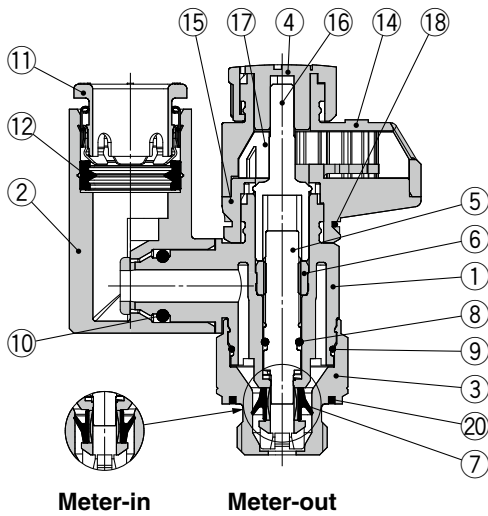
Seal method: Gasket seal
For M5, 10-32UNF



Seal method: Sealant
For R, NPT thread



Seal method: Face seal
For G thread



Component Parts

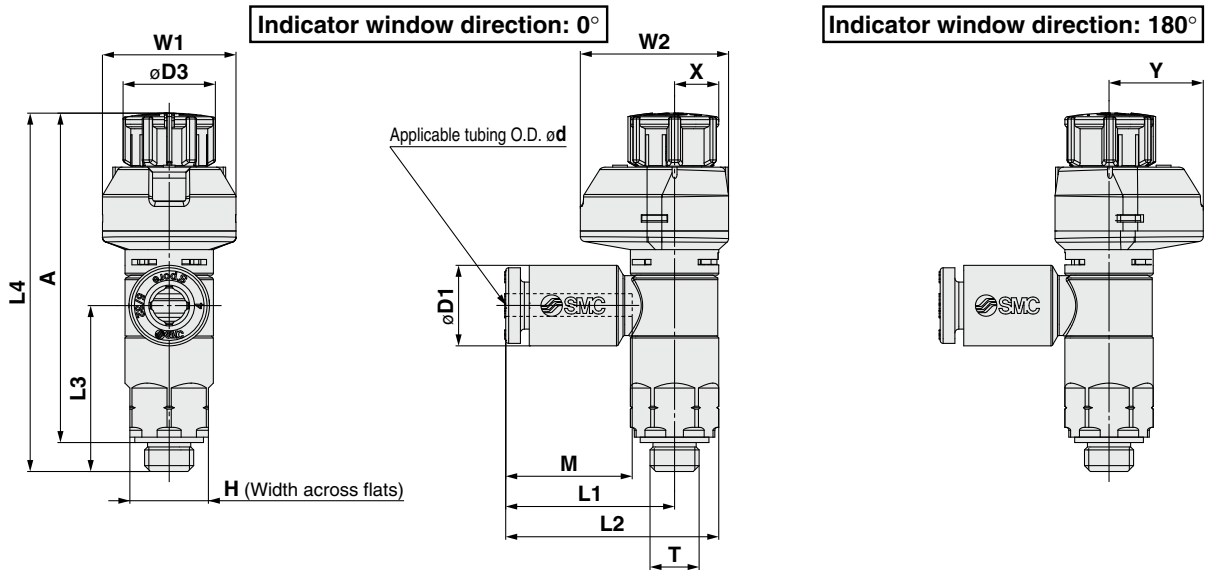
No.	Description	Material	Note
1	Body A	PBT	
2	Elbow body	PBT	
3	Body B	Stainless steel	
4	Knob	POM	
5	Needle	PBT	
6	Needle guide	Stainless steel	
7	U-seal	HNBR	
8	O-ring	NBR	
9	O-ring	NBR	
10	O-ring	NBR	
11	Cassette	—	
12	Seal	NBR	
13	Spacer	PBT	ø3.2 and ø1/8" only
14	Bonnet A	POM	
15	Bonnet B	POM	
16	Gear	POM	
17	Indicator gear	POM	
18	Clip	Stainless steel	
19	Gasket	NBR/Stainless steel	
20	Seal	NBR	

AS-FS
AS-FSG
Uni-AS-FS

AS-FSG Series

Dimensions: Elbow Type

Seal method: Gasket seal
For M5, 10-32UNF



Metric Size

Model	d	T	H	D1	D3	L1	L2	L3	L4*1		A*2		M	W1	W2	X	Y	Weight [g]
									Unlocked	Locked	Unlocked	Locked						
AS12□1FSG□-M5-02	2	M5 x 0.8 10/32UNF	8	5.8	9.4	15.8	20.3	16.9	39	36.5	35	33.5	13.3	13.6	15.1	5.5	9.6	7
AS12□1FSG□-U10/32-02				7.2														
AS12□1FSG□-M5-23	3.2			7.2														
AS12□1FSG□-U10/32-23	3.2			7.2														
AS12□1FSG□-M5-04	4			8.2														
AS12□1FSG□-U10/32-04	4			8.2														
AS12□1FSG□-M5-06	6	M5 x 0.8 10/32UNF	8	10.4	9.4	18.6	23.1	16.5	39	36.5	35	33.5	13.3	13.6	15.1	5.5	9.6	8
AS12□1FSG□-U10/32-06				10.4														

*1 Reference dimensions

*2 Reference dimensions of threads after installation

Inch Size

Model	d	T	H	D1	D3	L1	L2	L3	L4*1		A*2		M	W1	W2	X	Y	Weight [g]
									Unlocked	Locked	Unlocked	Locked						
AS12□1FSG□-M5-01	1/8"	M5 x 0.8 10/32UNF	8	7.2	9.4	17.2	21.7	16.9	39	36.5	35	33.5	13.3	13.6	15.1	5.5	9.6	7
AS12□1FSG□-U10/32-01				7.2														
AS12□1FSG□-M5-03	5/32"			8.2														
AS12□1FSG□-U10/32-03	5/32"			8.2														
AS12□1FSG□-M5-07	1/4"			11.2														
AS12□1FSG□-U10/32-07				11.2														

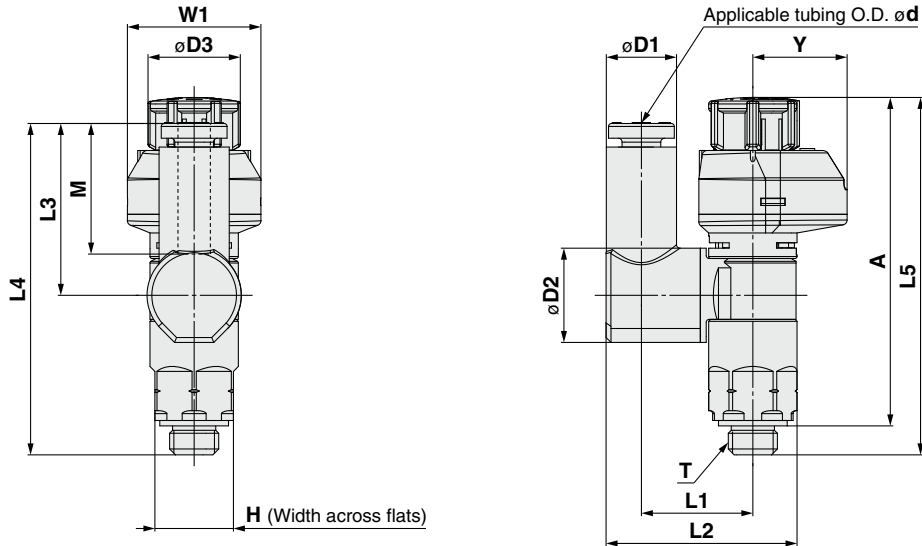
*1 Reference dimensions

*2 Reference dimensions of threads after installation



Dimensions: Universal Type

Seal method: Gasket seal
For M5, 10-32UNF



Metric Size

Model	d	T	H	D1	D2	D3	L1	L2	L3	L4	L5*1		A*2		M	W1	Y	Weight [g]		
											Unlocked	Locked	Unlocked	Locked						
AS13□1FSG1-M5-23	3.2	M5 x 0.8 10/32UNF	8	7.2	9.6	9.4	11.6	19.4	17.5	33.8	39	36.5	35	33.5	13.3	13.6	9.6	7		
AS13□1FSG1-U10/32/23																				
AS13□1FSG1-M5-04	8.2																			
AS13□1FSG1-U10/32-04	11.5			20.9															20.4	36.6
AS13□1FSG1-M5-06																				
AS13□1FSG1-U10/32-06	6	8																		

*1 Reference dimensions
*2 Reference dimensions of threads after installation

Inch Size

Model	d	T	H	D1	D2	D3	L1	L2	L3	L4	L5*1		A*2		M	W1	Y	Weight [g]		
											Unlocked	Locked	Unlocked	Locked						
AS13□1FSG1-M5-01	1/8	M5 x 0.8 10/32UNF	8	7.2	9.4	9.4	11.6	19.4	17.5	33.8	39	36.5	35	33.5	13.3	13.6	9.6	7		
AS13□1FSG1-U10/32-01																				
AS13□1FSG1-M5-03	8.2																			
AS13□1FSG1-U10/32-03	11.5			20.9															20.4	36.6
AS13□1FSG1-M5-07																				
AS13□1FSG1-U10/32-07	1/4	8																		

*1 Reference dimensions
*2 Reference dimensions of threads after installation

AS-FS

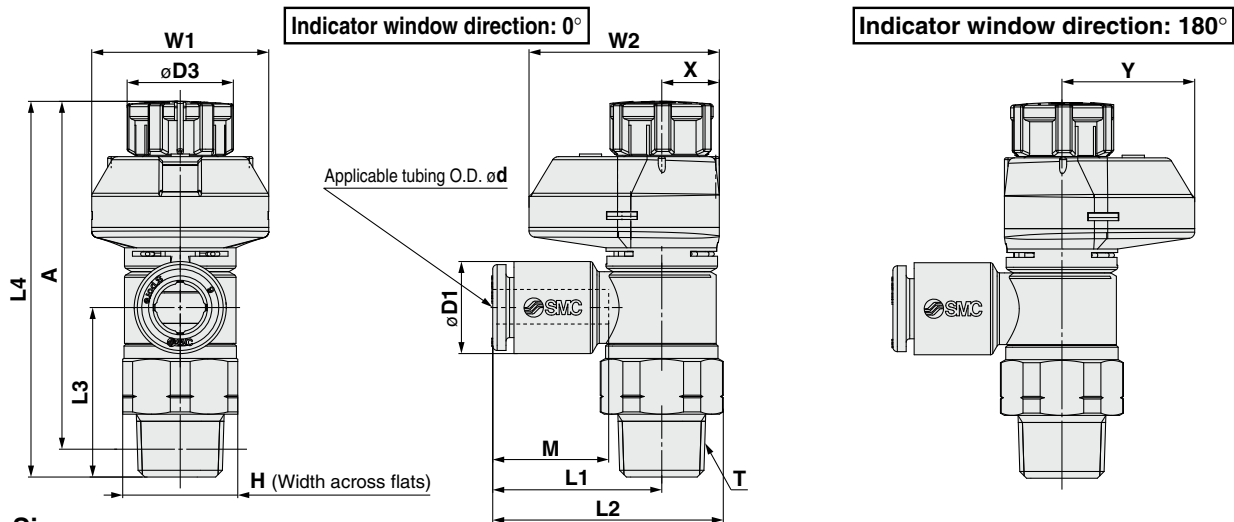
AS-FSG

Uni-AS-FS

AS-FSG Series

Dimensions: Elbow Type

Seal method: Sealant
For R, NPT thread



Metric Size

Model	d	T (R, NPT)	H	D1	D3	L1	L2	L3	L4*1		A*2		M	W1	W2	X	Y	Weight [g]			
									Unlocked	Locked	Unlocked	Locked									
AS22□1FSG□-01-23 (S)	3.2	1/8	13 (12.7)	7.2	12	19.1	26.2	19.1	43.9	42.4	40.8	39.3	13.3	20	21.5	6.5	15	13 (13)			
AS22□1FSG□-01-04 (S)	4			8.2															14 (13)		
AS22□1FSG□-01-06 (S)	6			10.4															15 (14)		
AS22□1FSG□-01-08 (S)	8			13.2															16 (15)		
AS22□1FSG□-01-10 (S)	10			15.9															25.3	32.4	15.6
AS22□1FSG□-02-23 (S)	3.2	1/4	17 (17.5)	7.2	13	20.9	30.2 (30.3)	22.6	49.7	48.3	44.2	42.8	13.3	21.5	24	7.8	16.2	23 (24)			
AS22□1FSG□-02-04 (S)	4			8.2															24 (25)		
AS22□1FSG□-02-06 (S)	6			10.4															24 (25)		
AS22□1FSG□-02-08 (S)	8			13.2															25 (26)		
AS22□1FSG□-02-10 (S)	10			15.9															26.9	36.2 (36.3)	15.6
AS32□1FSG□-02-06 (S)	6	1/4	19	10.4	16.6	21.8	32.1	36.4	63.1	61.7	57.9	56.5	13.3	24.5	28.5	9.3	19.2	47 (48)			
AS32□1FSG□-02-08 (S)	8			13.2															33	14.2	
AS32□1FSG□-02-10 (S)	10			15.9															37	35.7	15.6
AS32□1FSG□-02-12 (S)	12			18.5															40	34.5	17
AS32□1FSG□-03-06 (S)	6			10.4															21.8	32.1	28.7
AS32□1FSG□-03-08 (S)	8	13.2	22.7	33	28.7	14.2	24.5	28.5	9.3	19.2	38 (39)										
AS32□1FSG□-03-10 (S)	10	15.9	26.7	37	28	15.6															
AS32□1FSG□-03-12 (S)	12	18.5	29.7	40	26.8	17															
AS42□1FSG□-04-10 (S)	10	15.9	27.4	40.3 (40.2)	36.2	15.6															
AS42□1FSG□-04-12 (S)	12	18.5	30.8	43.7 (43.6)	35.1	17						26	29	10	19	62 (61)					
AS42□1FSG□-04-16 (S)	16	23.8	34.8	47.7 (47.6)	32.7	20.6	68 (67)														

*1 Reference dimensions *2 Reference dimensions of threads after installation * The values in () are for NPT thread.

Inch Size

Model	d	T (R, NPT)	H	D1	D3	L1	L2	L3	L4*1		A*2		M	W1	W2	X	Y	Weight [g]				
									Unlocked	Locked	Unlocked	Locked										
AS22□1FSG□-01-01 (S)	1/8"	1/8	13 (12.7)	7.2	12	19.1	26.2	19.1	43.9	42.4	40.8	39.3	13.3	20	21.5	6.5	15	13 (13)				
AS22□1FSG□-01-03 (S)	5/32"			8.2															14 (13)			
AS22□1FSG□-01-07 (S)	1/4"			11.2															15 (14)			
AS22□1FSG□-01-09 (S)	5/16"			13.2															16 (15)			
AS22□1FSG□-02-01 (S)	1/8"			7.2															17 (17.5)	13	20.9	30.2 (30.3)
AS22□1FSG□-02-03 (S)	5/32"	8.2	24 (24)																			
AS22□1FSG□-02-07 (S)	1/4"	11.2	24 (24)																			
AS22□1FSG□-02-09 (S)	5/16"	13.2	25 (26)																			
AS22□1FSG□-02-11 (S)	3/8"	15.5	26.4	35.7 (35.8)	15.6																	
AS32□1FSG□-02-07 (S)	1/4"	3/8	19	11.2	16.6	21.8	32.1	36.4	63.1	61.7	57.9	56.5	13.3	24.5	28.5	9.3	19.2	47 (48)				
AS32□1FSG□-02-09 (S)	5/16"			13.2															33	14.2		
AS32□1FSG□-02-11 (S)	3/8"			15.5															37	35.9	15.6	
AS32□1FSG□-03-07 (S)	1/4"			11.2															21.8	32.1	28.7	13.3
AS32□1FSG□-03-09 (S)	5/16"			13.2															22.7	33	28.7	14.2
AS32□1FSG□-03-11 (S)	3/8"	15.5	26.7	37	28.2	15.6																
AS42□1FSG□-04-11 (S)	3/8"	15.5	27.4	40.3 (40.2)	36.2	15.6																
AS42□1FSG□-04-13 (S)	1/2"	23.8	30.9	43.8 (43.7)	34.7	17	26	29	10	19	62 (61)											
												68 (63)										

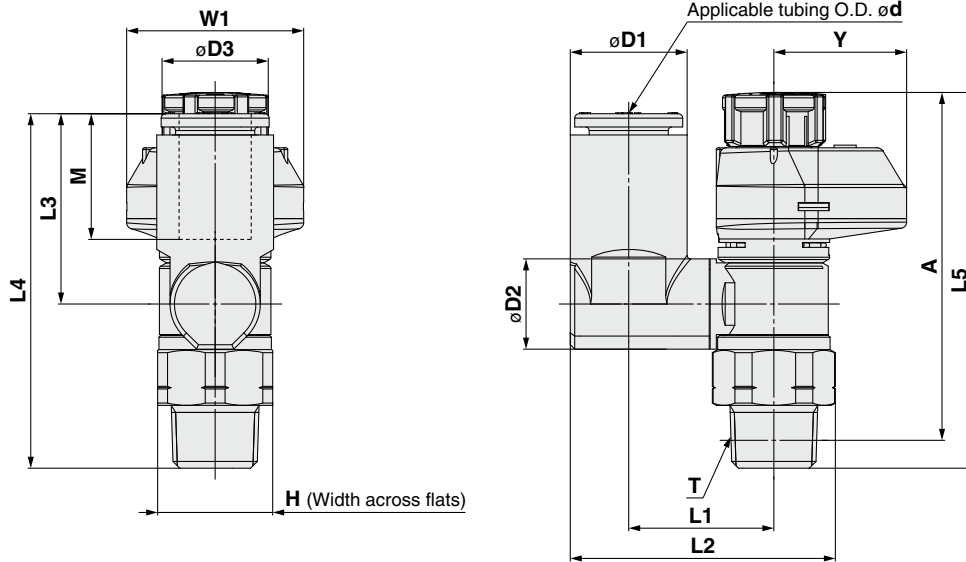
*1 Reference dimensions *2 Reference dimensions of threads after installation * The values in () are for NPT thread.

Stainless Steel Type Speed Controller with Indicator **AS-FSG Series**



Dimensions: **Universal Type**

Seal method: Sealant
For R, NPT thread



Metric Size

Model	d	T	H	D1	D2	D3	L1	L2	L3	L4	L5		A		M	W1	Y	Weight [g]
											Unlocked	Locked	Unlocked	Locked				
AS23□1FSG1-01-23 (S)	3.2	1/8	13 (12.7)	7.2	9.6	12	13.3	24	17.5	36	43.9	42.4	40.8	39.3	13.3	21.5	16.2	14
AS23□1FSG1-01-04 (S)	4			8.2			25.1											
AS23□1FSG1-01-06 (S)	6			10.4			26.2											
AS23□1FSG1-01-08 (S)	8	1/4	17 (17.5)	13.2	12.9	13	16.4	30.1	21.5	40	49.7	48.3	44.2	42.8	14.2	24.5	19.2	16
AS23□1FSG1-02-04 (S)	4			8.2			16.5											
AS23□1FSG1-02-06 (S)	6			11.2			19											
AS23□1FSG1-02-08 (S)	8	1/4	17 (17.5)	13.2	12.9	13	34.9	23.5	21.5	46	49.7	48.3	44.2	42.8	15.6	24.5	19.2	27
AS23□1FSG1-02-10 (S)	10			15.9			20.9											
AS23□1FSG1-02-10 (S)	10			15.9			20.9											
AS33□1FSG1-02-06 (S)	6	1/4	19	11.2	12.9	16.6	20.2	36	21.4	57.8	63.1	61.7	57.9	56.5	13.3	24.5	19.2	49
AS33□1FSG1-02-08 (S)	8			13.2			37.1											
AS33□1FSG1-02-10 (S)	10			15.9			41.2											
AS33□1FSG1-02-12 (S)	12	1/4	19	18.5	12.9	16.6	23	42.5	26.1	62.5	63.1	61.7	57.9	56.5	15.6	24.5	19.2	53
AS33□1FSG1-03-06 (S)	6			10.4			36											
AS33□1FSG1-03-08 (S)	8			13.2			37.1											
AS33□1FSG1-03-10 (S)	10	3/8	19	15.9	12.9	16.6	23	41.2	26.1	54.8	55.4	54	50.2	48.8	15.6	24.5	19.2	45
AS33□1FSG1-03-12 (S)	12			18.5			42.5											
AS33□1FSG1-03-12 (S)	12			18.5			42.5											
AS43□1FSG1-04-10 (S)	10	1/2	24 (23.8)	15.9	17.4	18.8	25.6	46.4	26.1	61.2	64.1	62.5	57	55.4	15.6	26	19	69
AS43□1FSG1-04-12 (S)	12			18.5			21	26.2										

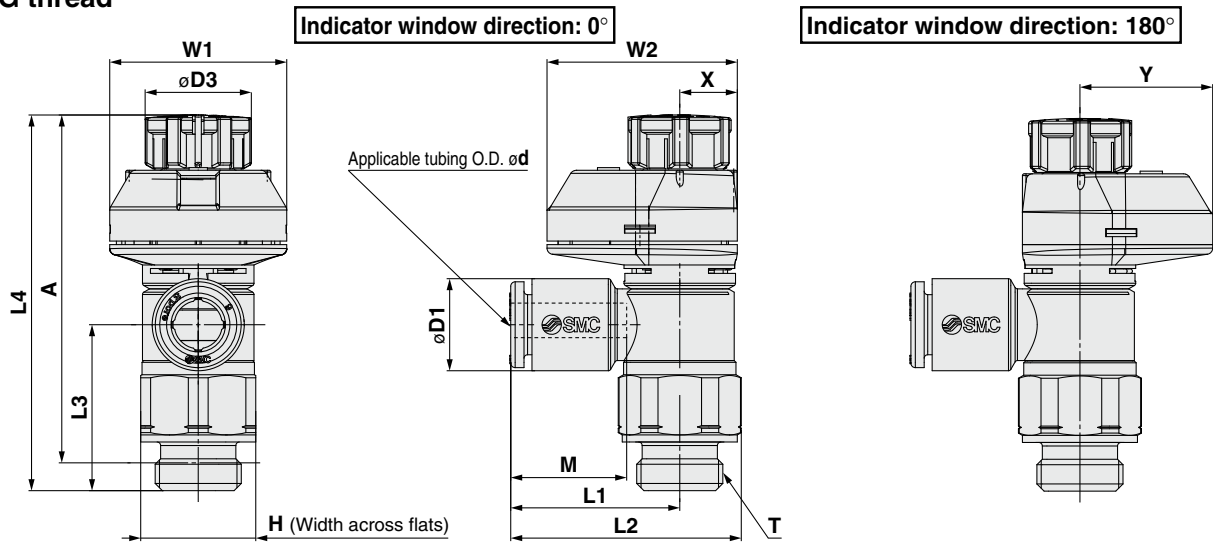
Inch Size

Model	d	T	H	D1	D2	D3	L1	L2	L3	L4	L5		A		M	W1	Y	Weight [g]
											Unlocked	Locked	Unlocked	Locked				
AS23□1FSG1-01-01 (S)	1/8	1/8	13 (12.7)	7.2	9.6	12	13.3	24	17.5	36	43.9	42.4	40.8	39.3	13.3	21.5	16.2	14
AS23□1FSG1-01-03 (S)	5/32			8.2			25.1											
AS23□1FSG1-01-07 (S)	1/4			11.2			26.2											
AS23□1FSG1-01-09 (S)	5/16	1/4	17 (17.5)	13.2	12.9	13	16.4	30.1	21.5	40	49.7	48.3	44.2	42.8	14.2	24.5	19.2	16
AS23□1FSG1-02-03 (S)	5/32			8.2			16.5											
AS23□1FSG1-02-07 (S)	1/4			11.2			19											
AS23□1FSG1-02-09 (S)	5/16	1/4	17 (17.5)	13.2	12.9	13	34.9	23.5	21.5	46	49.7	48.3	44.2	42.8	14.2	24.5	19.2	27
AS23□1FSG1-02-11 (S)	3/8			15.9			20.9											
AS23□1FSG1-02-11 (S)	3/8			15.9			20.9											
AS33□1FSG1-02-07 (S)	1/4	3/8	19	11.2	12.9	16.6	20.2	36	21.4	57.8	63.1	61.7	57.9	56.5	13.3	24.5	19.2	49
AS33□1FSG1-02-09 (S)	5/16			13.2			37.1											
AS33□1FSG1-02-11 (S)	3/8			15.9			41.2											
AS33□1FSG1-03-07 (S)	1/4	3/8	19	11.2	12.9	16.6	23	42.5	26.1	62.5	63.1	61.7	57.9	56.5	15.6	24.5	19.2	53
AS33□1FSG1-03-09 (S)	5/16			10.4			36											
AS33□1FSG1-03-11 (S)	3/8			13.2			37.1											
AS33□1FSG1-03-11 (S)	3/8	3/8	19	15.9	17.4	16.6	23	41.2	26.1	54.8	55.4	54	50.2	48.8	15.6	24.5	19.2	45
AS43□1FSG1-04-11 (S)	3/8			18.5			42.5											
AS43□1FSG1-04-13 (S)	1/2	1/2	24 (23.8)	15.9	17.4	18.8	25.6	46.4	26.1	61.2	64.1	62.5	57	55.4	15.6	26	19	69
AS43□1FSG1-04-13 (S)	1/2			18.5			21	26.2										

AS-FSG Series

Dimensions: Elbow Type

Seal method: Face seal
For G thread



Metric Size

Model	d	T	H	D1	D3	L1	L2	L3	L4*1		A*2		M	W1	W2	X	Y	Weight [g]				
									Unlocked	Locked	Unlocked	Locked										
AS22□1FSG□-G01-23	3.2	1/8	13	7.2	12	19.1	26.1	18.8	43.8	42.4	38.3	36.9	13.3	20	21.5	6.5	15	14				
AS22□1FSG□-G01-04	4			8.2																		
AS22□1FSG□-G01-06	6			10.4															22.4	29.4	14.2	
AS22□1FSG□-G01-10	10			15.9															25.3	32.3	15.6	
AS22□1FSG□-G02-23	3.2	1/4	17	7.2	13	20.9	30	22.6	49.7	48.3	43.2	41.8	13.3	21.5	24	7.8	16.2	26				
AS22□1FSG□-G02-04	4			8.2																		
AS22□1FSG□-G02-06	6			10.4															23.4	32.5	14.2	
AS22□1FSG□-G02-08	8			13.2															23.9	32.6	15.6	
AS22□1FSG□-G02-10	10	15.9	26.9	36	15.6																	
AS32□1FSG□-G02-06	6	1/4	21	10.4	16.6	21.8	33	36.4	63.1	61.7	54.6	53.2	13.3	24.5	28.5	9.3	19.2	55				
AS32□1FSG□-G02-08	8			13.2															22.7	33.9	14.2	
AS32□1FSG□-G02-10	10			15.9															26.7	37.9	15.6	
AS32□1FSG□-G02-12	12			18.5															29.7	40.9	17	
AS32□1FSG□-G03-06	6	3/8	21	10.4	16.6	21.8	33	28.7	55.4	54	47.9	46.5	13.3	24.5	28.5	9.3	19.2	45				
AS32□1FSG□-G03-08	8			13.2															22.7	33.9	14.2	
AS32□1FSG□-G03-10	10			15.9															26.7	37.9	15.6	
AS32□1FSG□-G03-12	12			18.5															29.7	40.9	17	
AS42□1FSG□-G04-10	10	1/2	27	15.9	18.8	27.4	41.8	36.2	64.1	62.5	55.1	53.5	15.6	26	29	10	19	80				
AS42□1FSG□-G04-12	12			18.5															30.8	45.2	35.1	17
AS42□1FSG□-G04-16	16			23.8															34.8	49.2	32.7	20.6

*1 Reference dimensions

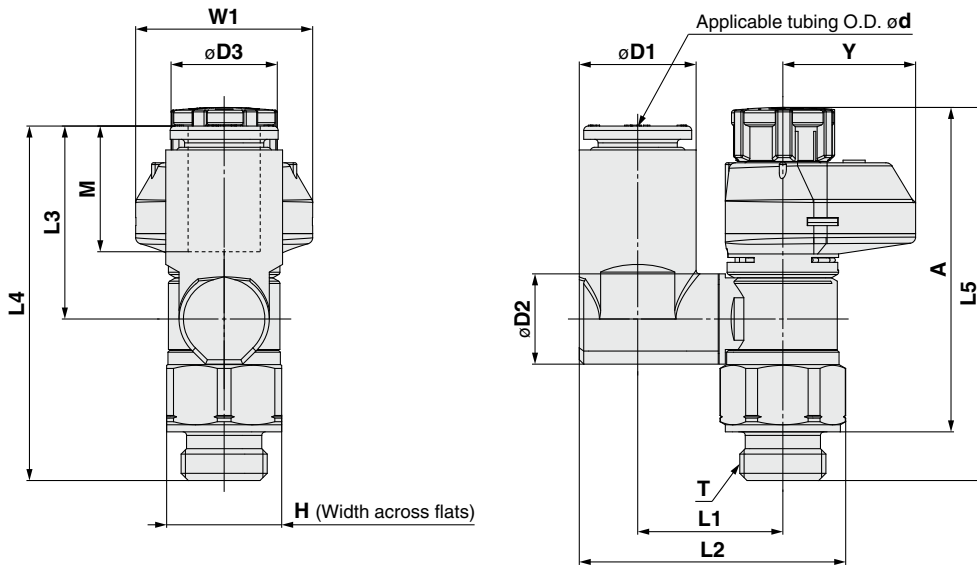
*2 Reference dimensions of threads after installation

Stainless Steel Type Speed Controller with Indicator **AS-FSG Series**



Dimensions: Universal Type

Seal method: Face seal
For G thread



Metric Size

Model	d	T	H	D1	D2	D3	L1	L2	L3	L4	L5		A		M	W1	Y	Weight [g]		
											Unlocked	Locked	Unlocked	Locked						
AS23□1FSG1-G01-23	3.2	1/8	13	7.2	9.6	12	13.2	24	17.5	35.7	43.8	42.4	38.3	36.9	13.3	21.5	16.2	14		
AS23□1FSG1-G01-04	4			8.2			25.1	15												
AS23□1FSG1-G01-06	6			10.4			26.2	20.4										15		
AS23□1FSG1-G01-08	8	1/4	17	13.2	10.2	13	16.4	30.1	21.5	39.7	49.7	48.3	43.2	41.8	14.2	24.5	19.2	16		
AS23□1FSG1-G02-04	4			8.2			16.5	29.9										17.5	40.1	27
AS23□1FSG1-G02-06	6			10.4			19	33.8										21.4	43.9	29
AS23□1FSG1-G02-08	8	1/4	17	13.2	12.9	13	20.9	34.9	23.5	46	63.1	61.7	54.6	53.2	14.2	24.5	19.2	30		
AS23□1FSG1-G02-10	10			15.9			20.9	38.1										24.7	47.3	31
AS33□1FSG1-G02-06	6			10.4			20.2	36.1										21.4	57.8	56
AS33□1FSG1-G02-08	8	1/4	21	13.2	12.9	16.6	23	38	23.5	59.9	63.1	61.7	54.6	53.2	14.2	24.5	19.2	57		
AS33□1FSG1-G02-10	10			15.9			23	42.2										26.1	58	60
AS33□1FSG1-G02-12	12			18.5			23	43.5										28.3	59.9	63
AS33□1FSG1-G03-06	6	3/8	21	10.4	12.9	16.6	20.2	36.6	21.4	50.1	55.4	54	47.9	46.5	13.3	24.5	19.2	48		
AS33□1FSG1-G03-08	8			13.2			38	23.5										52.2	49	
AS33□1FSG1-G03-10	10			15.9			23	42.2										28.1	50.3	53
AS33□1FSG1-G03-12	12	1/2	27	18.5	17.4	18.8	23	43.5	28.3	52.2	64.1	62.5	55.1	53.5	15.6	26	19	54		
AS43□1FSG1-G04-10	10			15.9			25.6	47.9										26.1	61.2	86
AS43□1FSG1-G04-12	12			18.5			26.2	49.8										28.3	63.4	90

AS-FS

AS-FSG

Uni-AS-FS

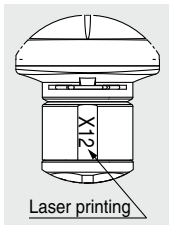
AS-FSG Series

Made to Order

Please contact SMC for detailed dimensions, specifications and lead times.



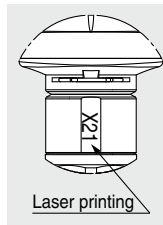
1 Lubricant: Vaseline -X12



Example) AS2201FSG-01-04S-X12

Laser printing

2 Grease-free (Seal: Fluorine-coated) + Restrictor (Without check valve) -X21

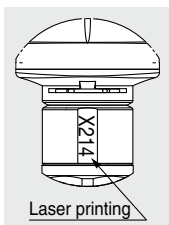


Example) AS2201FSG-01-04S-X21

Note 1) Not particle-free
 Note 2) This product is a restrictor without a check valve (no control direction). Be aware that all part numbers are for a meter-out type; there is no part number for a meter-in type.
 Note 3) Only the needle and O-ring are fluorine-coated.

Laser printing

3 Restrictor (Without check valve) -X214

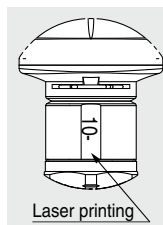


Example) AS2201FSG-01-04S-X214

Note) This product is a restrictor without a check valve (no control direction). Be aware that all part numbers are for a meter-out type; there is no part number for a meter-in type.

Laser printing

4 Clean Series 10-

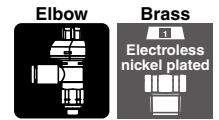


Example) 10-AS2201FSG-01-04S

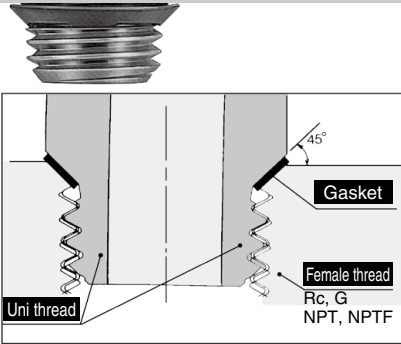
Note 1) Fluorine grease is used.
 Note 2) The cleanliness class (ISO class) is 5.

Laser printing

Uni Thread Type Speed Controller with Indicator (Elbow Type) **AS-FS Series**



New-stand male threads for piping that reduces the screw-in time by 1/3.



Shape of Uni thread ridge

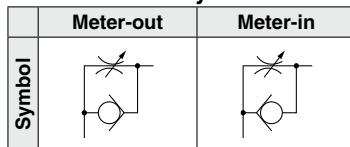
Use of the chamfered surface of the female thread as the seat surface and adoption of gaskets made by laminating NBR on both surfaces of stainless steel plates achieve secure sealing regardless of the difference of diameters due to the female thread type, deviations due to the tolerance, or the size of the chamfered corner.

(Any standard chamfered female thread can be used.)

A ridge shape has been created as a Uni thread for common applications for Rc, G, NPT and NPTF.

The gasket seal method drastically cuts piping work-hours.

Flow Direction Symbols on Body



Caution

Be sure to read this before handling the products. Refer to the back cover for safety instructions. For flow control equipment precautions, refer to the "Handling Precautions for SMC Products" and the "Operation Manual" on the SMC website: <http://www.smcworld.com>

Model

Model	Uni thread size	Applicable tubing O.D.												
		Metric size						Inch size						
		3.2	4	6	8	10	12	16	1/8"	5/32"	1/4"	5/16"	3/8"	1/2"
AS22□1FS□-U01	1/8	●	●	●	●	●			●	●	●	●		
AS22□1FS□-U02	1/4	●	●	●	●	●			●	●	●	●	●	
AS32□1FS□-U02	1/4			●	●	●	●				●	●	●	
AS32□1FS□-U03	3/8			●	●	●	●				●	●	●	
AS42□1FS□-U04	1/2					●	●	●					●	●

Specifications

Fluid	Air
Proof pressure	1.5 MPa
Max. operating pressure	1 MPa
Min. operating pressure	0.1 MPa
Ambient and fluid temperature	-5 to 60°C (No freezing)
Applicable tubing material	Nylon, Soft nylon, Polyurethane*1

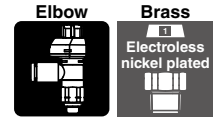
*1 Use caution at the max. operating pressure when using soft nylon or polyurethane tubing. (For details, refer to the Web Catalog.)

Flow Rate and Sonic Conductance

Model	AS22□1FS□-U01	AS22□1FS□-U02	AS32□1FS□	AS42□1FS□
Tubing O.D.	Metric size	ø3.2 ø4 ø6 ø8 ø10	ø3.2 ø4 ø6 ø8 ø10	ø6 ø8 ø10 ø12 ø10 ø12 ø16
	Inch size	ø1/8" ø5/32" ø1/4" ø5/16"	ø1/8" ø5/32" — ø1/4" ø5/16" ø3/8"	ø1/4" ø5/16" ø3/8" ø3/8" ø1/2"
C values: Sonic conductance dm ³ /(s·bar)	Free flow	0.4 0.6 0.6 0.7 1.0 1.3 1.5	1.6 1.7 2.5 4.4 4.8	2.1 2.4 3.3 4.4 4.9
	Controlled flow	0.4 0.7 0.8 0.6 0.9 1.3	2.1 2.4 3.3 4.4 4.9	
b values: Critical pressure ratio	Free flow	0.2 0.3 0.3 0.4	0.4 0.3 0.3	
	Controlled flow	0.2 0.3 0.3 0.4	0.3 0.3 0.3	

* C and b values are for controlled flow with the needle fully open and free flow with the needle fully closed.

AS-FS Series



How to Order

AS 2 2 0 1 FS □ - U01 - 06

Body size

2	1/8, 1/4
3	3/8
4	1/2

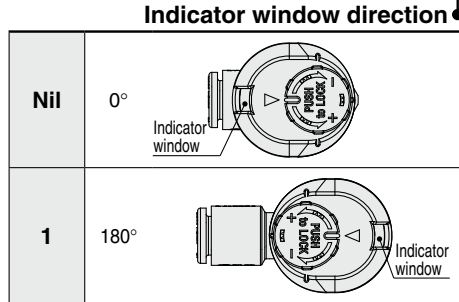
Type

2	Elbow
---	-------

Control type*1

0	Meter-out
1	Meter-in

*1 Meter-out and meter-in types can be visually identified by color of the knob.
 Meter-out: Gray
 Meter-in: Light blue



* Orientation of indicator direction is fixed when manufacturing, and cannot be changed by the user.

Applicable tubing O.D.*1

Metric size		Inch size	
Tubing O.D.		Tubing O.D.	
23	ø3.2*2	01	ø1/8"
04	ø4	03	ø5/32"
06	ø6	07	ø1/4"
08	ø8	09	ø5/16"
10	ø10	11	ø3/8"
12	ø12	13	ø1/2"
16	ø16		

*1 For selecting applicable tubing O.D., refer to the "Model" on page 28.
 Metric size and inch size types can be visually identified by color of the release button.

Metric size: Light gray
 Inch size: Orange

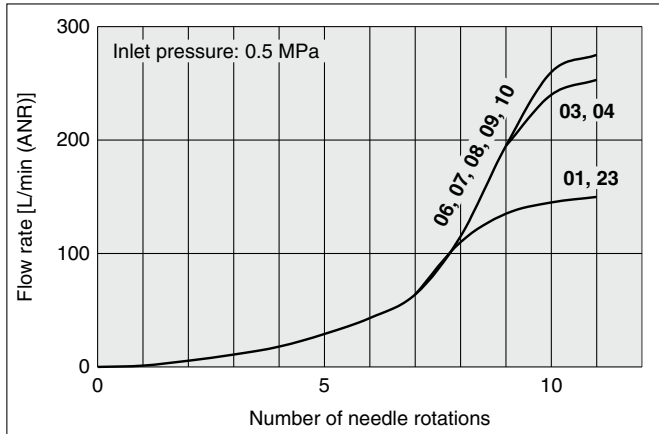
*2 Use ø1/8" tubing.

Port size

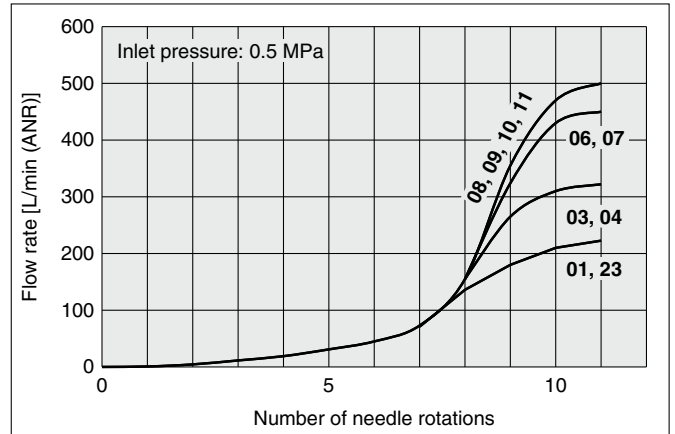
U01	Uni 1/8
U02	Uni 1/4
U03	Uni 3/8
U04	Uni 1/2

Needle Valve: Flow Rate Characteristics

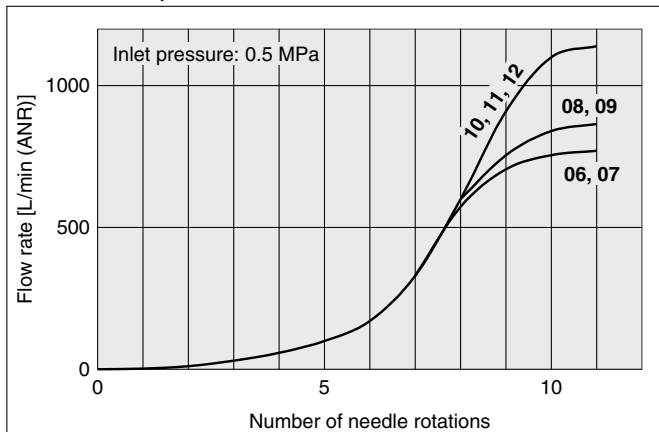
AS2201FS□-U01, AS2211FS□-U01



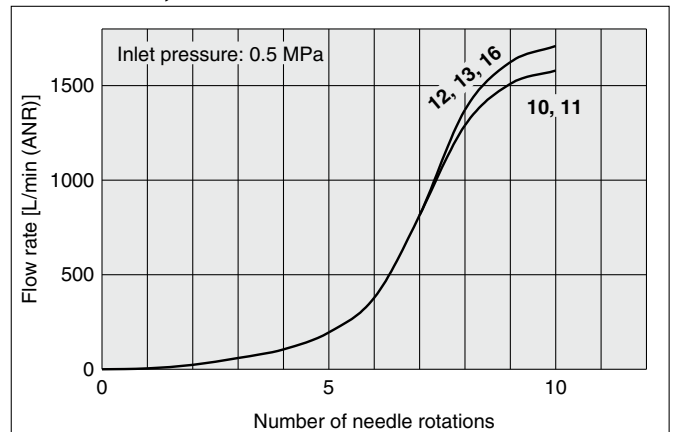
AS2201FS□-U02, AS2211FS□-U02



AS3201FS□, AS3211FS□



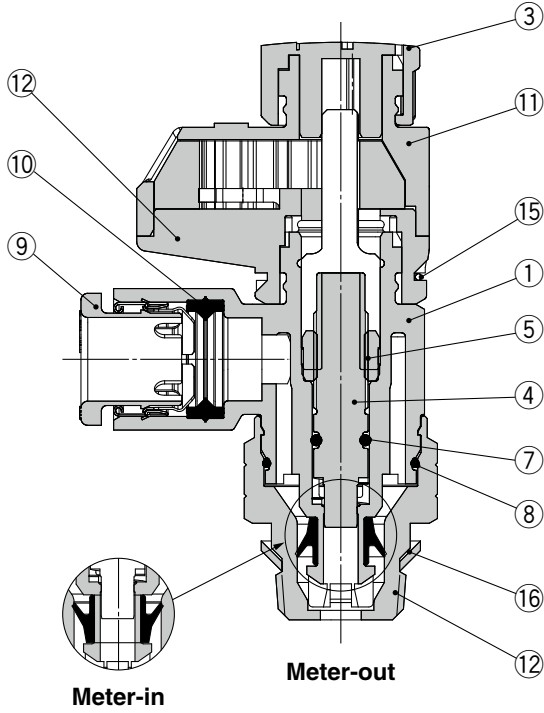
AS4201FS□, AS4211FS□



* The numbers above the flow rate characteristic curves in the charts show the applicable tubing outside diameter as defined by the product number.

Construction: **Elbow Type**

AS22□1FS□-U01-06A



Component Parts

No.	Description	Material	Note
1	Body A	PBT	
2	Body B	Brass	Electroless nickel plating
3	Knob	POM	
4	Needle	PBT	
5	Needle guide	Brass	Electroless nickel plating
6	U-seal	HNBR	
7	O-ring	NBR	
8	O-ring	NBR	
9	Cassette	—	
10	Seal	NBR	
11	Bonnet A	POM	
12	Bonnet B	POM	
13	Gear	POM	
14	Indicator gear	POM	
15	Clip	Stainless steel	
16	Gasket	NBR/Stainless steel	

AS-FS

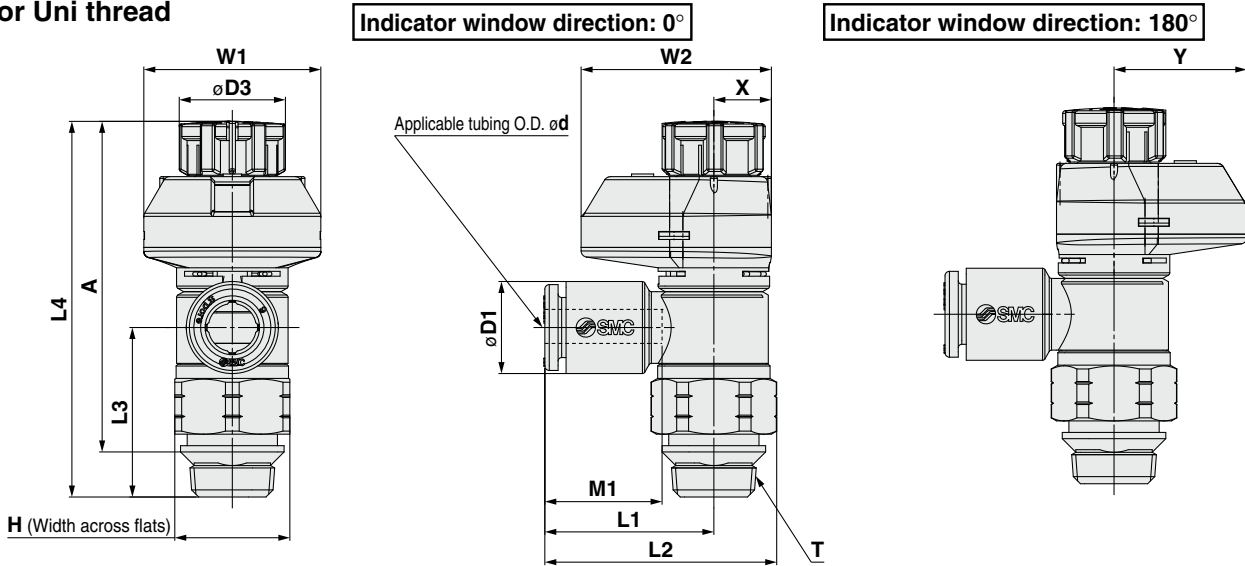
AS-FSG

Uni-AS-FS

AS-FS Series

Dimensions: Elbow Type

Seal method: Gasket seal
For Uni thread



Metric Size

Model	d	T	H	D1	D3	L1	L2	L3	L4*1		A*2		M	W1	W2	X	Y	Weight [g]						
									Unlocked	Locked	Unlocked	Locked												
AS22□1FS□-U01-23	3.2	1/8	13 (12.7)	7.2	12	19.1	26.1 (26)	19.1	43.9	42.4	40.8	39.3	13.3	20	21.5	6.5	15	13 (13)						
AS22□1FS□-U01-04	4			8.2															22.4	29.4 (29.3)	14.2	15 (14)		
AS22□1FS□-U01-06	6			10.4															25.3	32.3 (32.2)	15.6	16 (15)		
AS22□1FS□-U01-08	8			13.2																				
AS22□1FS□-U01-10	10			15.9																				
AS22□1FS□-U02-23	3.2	1/4	17 (17.5)	7.2	13	20.9	30 (30.3)	22.6	49.7	48.3	44.2	42.8	13.3	21.5	24	7.8	16.2	24 (25)						
AS22□1FS□-U02-04	4			8.2															23.4	32.5 (32.8)	14.2	25 (26)		
AS22□1FS□-U02-06	6			10.4															23.9	33 (33.3)	15.6	26 (27)		
AS22□1FS□-U02-08	8			13.2															26.9	36 (36.3)				
AS22□1FS□-U02-10	10			15.9																				
AS32□1FS□-U02-06	6	1/4	19	10.4	16.6	21.8	32.1	36.4	63.1	61.7	57.9	56.5	13.3	24.5	28.5	9.3	19.2	47 (48)						
AS32□1FS□-U02-08	8			13.2															22.7	33	14.2	48 (49)		
AS32□1FS□-U02-10	10			15.9															26.7	37	15.6	50 (51)		
AS32□1FS□-U02-12	12			18.5															29.7	40	17			
AS32□1FS□-U03-06	6			10.4															21.8	32.1	28.7			
AS32□1FS□-U03-08	8	3/8	19	13.2	16.6	22.7	33	28	55.4	54	50.2	48.8	13.3	24.5	28.5	9.3	19.2	36 (37)						
AS32□1FS□-U03-10	10																		15.9	26.7	37	14.2	39 (40)	
AS32□1FS□-U03-12	12																		18.5	29.7	40	17	41 (42)	
AS42□1FS□-U04-10	10																		15.9	27.4	40.3 (40.2)	36.2	15.6	60 (59)
AS42□1FS□-U04-12	12																		18.5	30.8	43.7 (43.6)	35.1	17	62 (61)
AS42□1FS□-U04-16	16	23.8	34.8	47.7 (47.6)	32.7	20.6	66 (65)																	

*1 Reference dimensions *2 Reference dimensions of threads after installation * The values in () are for NPT thread.

Inch Size

Model	d	T	H	D1	D3	L1	L2	L3	L4*1		A*2		M	W1	W2	X	Y	Weight [g]				
									Unlocked	Locked	Unlocked	Locked										
AS22□1FS□-U01-01	1/8"	1/8	13 (12.7)	7.2	12	19.1	26.1 (26)	19.1	43.9	42.4	40.8	39.3	13.3	20	21.5	6.5	15	13 (13)				
AS22□1FS□-U01-03	5/32"			8.2															20.8	27.8 (27.7)	14.2	14 (13)
AS22□1FS□-U01-07	1/4"			11.2															22.4	29.4 (29.3)	15.6	15 (14)
AS22□1FS□-U01-09	5/16"			13.2																		
AS22□1FS□-U02-01	1/8"			7.2															20.9	30 (30.3)	22.6	49.7
AS22□1FS□-U02-03	5/32"	8.2	23.4	32.5 (32.8)	14.2	24 (25)																
AS22□1FS□-U02-07	1/4"	11.2	23.9	33 (33.3)	15.6	25 (26)																
AS22□1FS□-U02-09	5/16"	13.2	26.4	35.5 (35.8)																		
AS22□1FS□-U02-11	3/8"	15.5																				
AS32□1FS□-U02-07	1/4"	3/8	19	11.2	16.6	21.8	32.1	36.4	63.1	61.7	57.9	56.5	13.3	24.5	28.5	9.3	19.2	47 (48)				
AS32□1FS□-U02-09	5/16"			13.2															22.7	33	14.2	48 (49)
AS32□1FS□-U02-11	3/8"			15.5															26.7	37	15.6	50 (51)
AS32□1FS□-U03-07	1/4"			11.2															21.8	32.1	28.7	
AS32□1FS□-U03-09	5/16"			13.2															22.7	33	28	
AS32□1FS□-U03-11	3/8"	15.5	26.7	37	28.2																	
AS42□1FS□-U04-11	3/8"	1/2	24 (23.8)	15.5	18.8	27.4	40.3 (40.2)	36.2	64.1	62.5	57	55.4	15.6	26	29	10	19	60 (59)				
AS42□1FS□-U04-13	1/2"			19.3															30.9	43.8 (43.7)	34.7	17

*1 Reference dimensions *2 Reference dimensions of threads after installation * The values in () are for NPT thread.



AS-FS Series

Specific Product Precautions 1

Be sure to read this before handling the products. Refer to the back cover for safety instructions. For flow control equipment precautions, refer to the “Handling Precautions for SMC Products” and the “Operation Manual” on the SMC website: <http://www.smcworld.com>

Design and Selection

Warning

1. Check the specifications.

The products in this catalog are designed to be used in compressed air systems (including vacuum) only.

If the products are used in an environment where pressure or temperature is out of the specified range, damage and/or malfunction may result. Do not use under such conditions. (Refer to the specifications.)

Please contact SMC when using a fluid other than compressed air (including vacuum).

We do not guarantee against any damage if the product is used outside of the specification range.

2. The products in this catalog are not designed for the use as stop valve with zero air leakage.

A certain amount of leakage is allowed in the product's specifications.

Tightening the needle to reduce leakage to zero may result in equipment damage.

3. Do not disassemble the product or make any modifications, including additional machining.

It may cause human injury and/or an accident.

4. The flow rate characteristics for each product are representative values.

The flow rate characteristics are characteristics of each individual product. Actual values may differ depending on the piping, circuitry, pressure conditions, etc.

5. Sonic conductance (C) and critical pressure ratio (b) values for products are representative values.

The speed controller's controlled flow values are with the needle fully open and free flow with the needle fully closed.

6. Check if PTFE can be used in application.

PTFE powder (Polytetrafluoroethylene resin) is included in the seal material for piping taper thread of male thread type. Confirm that the use of it will not cause any adverse effect on the system.

Please contact SMC if the Material Safety Data Sheet (MSDS) is required.

Mounting

Warning

1. Operation Manual

Install the products and operate them only after reading the Operation Manual carefully and understanding its contents. Also, keep the Operation Manual where it can be referred to as necessary.

2. Ensure sufficient space for maintenance activities.

When installing the products, allow access for maintenance.

3. Tighten threads with the proper tightening torque.

When installing the products, follow the listed proper torque.

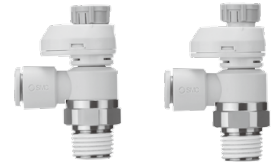
Mounting

Warning

4. After pushing the knob down to lock, confirm that it is locked.

It should not be possible to rotate the knob to the right or to the left.

If the knob is pulled with force, it may break. Do not pull the knob with excessive force.



Locked

Unlocked

5. Check the degree of rotation of the needle valve.

The products in this catalog are retainer type so that the needle is not removed completely. Over rotation will cause damage.

6. Do not use tools such as pliers to rotate the knob.

It can cause idle rotation of the knob or damage.

7. Verify the air flow direction.

Mounting backward is dangerous, because the speed adjustment needle will not work and the actuator may lurch suddenly.

8. Adjust the speed by opening the needle slowly from the fully closed state.

Loose needle valves may cause unexpected sudden actuator lurching.

When a needle valve is turned clockwise, it is closed and actuator speed decreases. When a needle valve is turned counter-clockwise, it is open and actuator speed increases.

9. Do not apply excessive force or shock to the body or fittings with an impact tool.

It can cause damage or air leakage.

10. Refer to the Fittings and Tubing Precautions on the SMC website for handling One-touch fittings.

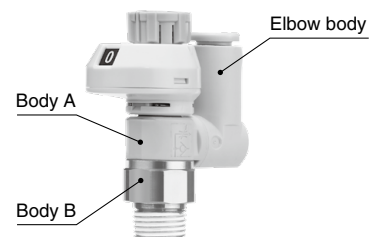
11. To install/remove the product, use an appropriate wrench to tighten/loosen at the supplied nut on body B.

Do not apply torque at other points as the product may be damaged. Rotate body A manually for positioning after installation.

12. Do not use body A and/or elbow body for applications involving continuous rotation.

Body A and the fitting section may be damaged.

Universal





AS-FS Series Specific Product Precautions 2

Be sure to read this before handling the products. Refer to the back cover for safety instructions. For flow control equipment precautions, refer to the "Handling Precautions for SMC Products" and the "Operation Manual" on the SMC website: <http://www.smcworld.com>

Mounting

⚠ Caution

For M5, 10-32UNF

Tightening method

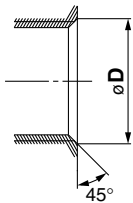
First, tighten it by hand, then give it an additional 1/6 turn to 1/4 turn with a wrench. A reference value for the tightening torque is 1 to 1.5 N·m.

Note) Excessive tightening may damage the thread portion or deform the gasket and cause air leakage.

If the screw is too shallowly screwed in, it may come loose or air may leak.

Chamfered area for female thread

1. Conforming to ISO 16030 (air pressure fluid dynamics – connection – ports and stud ends), the chamfered dimensions shown in the table below are recommended.



Female thread size	Chamfered dimension øD (Recommended value)
M5	5.1 to 5.4
10-32UNF	5.0 to 5.3

For R, NPT Thread (With sealant)

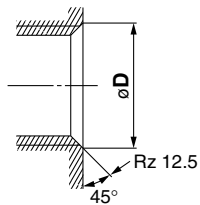
Tightening method

1. The proper tightening torques of the fittings are as shown in the table below. As a guide, tighten it by hand, then turn it two or three turns with a wrench. Check the dimensions of each product for the hexagon width across flats.

Connection thread size	Proper tightening torque [N·m]
NPT, R1/8	3 to 5
NPT, R1/4	8 to 12
NPT, R3/8	15 to 20
NPT, R1/2	20 to 25

Chamfered area for female thread

By chamfering as shown in the table below, machining of threads is easier and effective for burr prevention.



Connection thread size	Chamfered dimension øD (Recommended value)	
	Rc	NPT, NPTF
1/8	10.2 to 10.4	10.5 to 10.7
1/4	13.6 to 13.8	14.1 to 14.3
3/8	17.1 to 17.3	17.4 to 17.6
1/2	21.4 to 21.6	21.7 to 21.9

* For Uni thread, Rz 12.5 is necessary for sealing at the chamfered part.

For G Thread (Face seal)

Tightening method

First, tighten the threaded portion by hand, then use a proper wrench, which could be suitable for the width across flats of the hexagon body, to tighten it further at a wrench tightening angle shown in the table below. For a tightening torque guide, refer to the table below. Check the dimensions of each product for the hexagon width across flats.

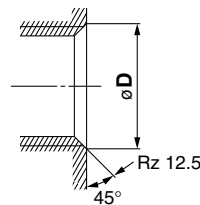
Connection thread size	Wrench tightening angle after hand-tightening [deg]	Proper tightening torque [N·m]
G1/8	10 to 20	3 to 4
G1/4	15 to 35	4 to 5
G3/8	15 to 35	8 to 9
G1/2	15 to 35	14 to 15

⚠ Caution

For G Thread (Face seal)

Chamfered area for female thread (Recommended value)

1. Conforming to ISO 16030-2001, the chamfered dimensions shown in the table below are recommended. By chamfering as shown in the table below, machining of threads is easier and effective for burr prevention.



Nominal thread size	Chamfered dimension øD	
	Min.	Max.
1/8	9.8	10.2
1/4	13.3	13.7
3/8	16.8	17.2
1/2	21.0	21.4

2. Use G external threads with G internal threads.

For Uni Thread

Tightening method

1. First, tighten the threaded portion by hand, then use a proper wrench, which could be suitable for the width across flats of the hexagon body, to tighten it further at a wrench tightening angle shown in the table below. For a tightening torque guide, refer to the table below.

Connection Female Thread: Rc, NPT, NPTF

Uni thread size	Wrench tightening angle after hand-tightening [deg]	Tightening torque [N·m]
1/8	30 to 60	3 to 5
1/4	30 to 60	8 to 12
3/8	15 to 45	14 to 16
1/2	15 to 30	20 to 22

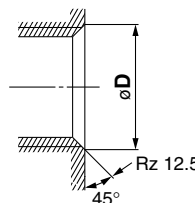
Connection Female Thread: G

Uni thread size	Wrench tightening angle after hand-tightening [deg]	Tightening torque [N·m]
1/8	30 to 45	3 to 4
1/4	15 to 30	4 to 5
3/8	15 to 30	8 to 9
1/2	15 to 30	14 to 15

2. The gasket can be reused up to 6 to 10 times.

Chamfered area for female thread

By chamfering as shown in the table below, machining of threads is easier and effective for burr prevention.



Connection thread size	Chamfered dimension øD (Recommended value)		
	G	Rc	NPT, NPTF
1/8	10.2 to 10.6	10.2 to 10.4	10.5 to 10.7
1/4	13.6 to 14.0	13.6 to 13.8	14.1 to 14.3
3/8	17.1 to 17.5	17.1 to 17.3	17.4 to 17.6
1/2	21.4 to 21.8	21.4 to 21.6	21.7 to 21.9

* For Uni thread, Rz 12.5 is necessary for sealing at the chamfered part.



AS-FS Series Specific Product Precautions 3

Be sure to read this before handling the products. Refer to the back cover for safety instructions. For flow control equipment precautions, refer to the “Handling Precautions for SMC Products” and the “Operation Manual” on the SMC website: <http://www.smcworld.com>

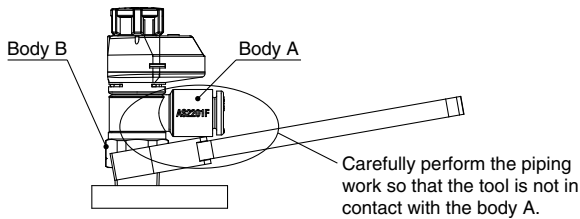
Mounting

⚠ Caution

1. This product has a stopper for fully close in rotating direction. Excess torque may break the stopper. Table below shows the maximum allowable torque of the knob.

Body size	Maximum allowable torque [N·m]
M5	0.05
1/8	0.07
1/4	0.16
3/8	0.2
1/2	0.4

When performing the piping work, turn the tightening tool in the horizontal direction to the hexagon across flats of the body B so that any moment is not applied to the body A. If the tool is in contact with the body A, this may cause the body B to come off.



2. Actuator speed needs to be checked each time the setting is changed.

Individual product difference due to tolerance of the components, individual actuator difference, operating conditions and temperature, etc. may cause a large variation in the actuator speed, and for this reason, the final actuator speed needs to be checked every time the setting is changed.

3. Force for lifting the knob is specified as shown in the table below.

Larger lifting force than specified in the table below will cause removal of the knob, flow rate not according to the flow rate characteristics curve, incorrect flow indication with the indicator or damage to the product.

Port size	Knob lifting force
M5 10-32/UNF	1 to 1.5 N
1/8, 1/4, 3/8, 1/2	3.5 to 4 N

4. Do not rotate the product by the indicator part.

Use a wrench for mounting the product. Otherwise, it may cause damage to the product.

Piping Threads with Sealant

⚠ Caution

1. If the fitting is tightened with excessive torque, a large amount of sealant will seep out. Remove the excess sealant.
2. Insufficient tightening may loosen the threads, or cause air leakage.
3. Reuse
 - 1) Normally, fittings with a sealant can be reused 2 to 3 times.
 - 2) To prevent air leakage through the sealant, remove any loose sealant stuck to the fitting by blowing air over the threaded portion.
 - 3) If the sealant no longer provides effective sealing, wind sealing tape over the sealant before reusing. Do not use the sealant in any form other than a tape type.
4. Once the fitting has been tightened, backing it out to its original position often causes the sealant to become defective. Air leakage will occur.
5. Use R external threads with Rc internal threads and NPT external threads with NPT internal threads.

Piping

⚠ Caution

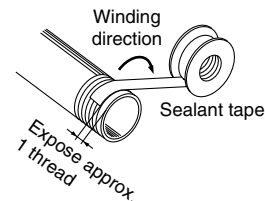
1. Refer to the Fittings and Tubing Precautions on the SMC website for handling One-touch fittings.

2. Preparation before piping

Before piping is connected, it should be thoroughly blown out with air (flushing) or washed to remove chips, cutting oil and other debris from inside the pipe.


3. Winding of sealant tape


When screwing together pipes and fittings, etc., be certain that chips from the pipe threads and sealing material do not get inside the pipe. Also, when the sealant tape is used, leave approx. 1 thread ridge exposed at the end of the threads.




Safety Instructions

These safety instructions are intended to prevent hazardous situations and/or equipment damage. These instructions indicate the level of potential hazard with the labels of “**Caution**,” “**Warning**” or “**Danger**.” They are all important notes for safety and must be followed in addition to International Standards (ISO/IEC)*1), and other safety regulations.

 **Caution:** **Caution** indicates a hazard with a low level of risk which, if not avoided, could result in minor or moderate injury.

 **Warning:** **Warning** indicates a hazard with a medium level of risk which, if not avoided, could result in death or serious injury.

 **Danger :** **Danger** indicates a hazard with a high level of risk which, if not avoided, will result in death or serious injury.

*1) ISO 4414: Pneumatic fluid power – General rules relating to systems.
ISO 4413: Hydraulic fluid power – General rules relating to systems.
IEC 60204-1: Safety of machinery – Electrical equipment of machines.
(Part 1: General requirements)
ISO 10218-1: Manipulating industrial robots – Safety.
etc.

Warning

1. The compatibility of the product is the responsibility of the person who designs the equipment or decides its specifications.

Since the product specified here is used under various operating conditions, its compatibility with specific equipment must be decided by the person who designs the equipment or decides its specifications based on necessary analysis and test results. The expected performance and safety assurance of the equipment will be the responsibility of the person who has determined its compatibility with the product. This person should also continuously review all specifications of the product referring to its latest catalog information, with a view to giving due consideration to any possibility of equipment failure when configuring the equipment.

2. Only personnel with appropriate training should operate machinery and equipment.

The product specified here may become unsafe if handled incorrectly. The assembly, operation and maintenance of machines or equipment including our products must be performed by an operator who is appropriately trained and experienced.

3. Do not service or attempt to remove product and machinery/equipment until safety is confirmed.

1. The inspection and maintenance of machinery/equipment should only be performed after measures to prevent falling or runaway of the driven objects have been confirmed.
2. When the product is to be removed, confirm that the safety measures as mentioned above are implemented and the power from any appropriate source is cut, and read and understand the specific product precautions of all relevant products carefully.
3. Before machinery/equipment is restarted, take measures to prevent unexpected operation and malfunction.

4. Contact SMC beforehand and take special consideration of safety measures if the product is to be used in any of the following conditions.

1. Conditions and environments outside of the given specifications, or use outdoors or in a place exposed to direct sunlight.
2. Installation on equipment in conjunction with atomic energy, railways, air navigation, space, shipping, vehicles, military, medical treatment, combustion and recreation, or equipment in contact with food and beverages, emergency stop circuits, clutch and brake circuits in press applications, safety equipment or other applications unsuitable for the standard specifications described in the product catalog.
3. An application which could have negative effects on people, property, or animals requiring special safety analysis.
4. Use in an interlock circuit, which requires the provision of double interlock for possible failure by using a mechanical protective function, and periodical checks to confirm proper operation.

Caution

1. The product is provided for use in manufacturing industries.

The product herein described is basically provided for peaceful use in manufacturing industries.
If considering using the product in other industries, consult SMC beforehand and exchange specifications or a contract if necessary.
If anything is unclear, contact your nearest sales branch.

Limited warranty and Disclaimer/ Compliance Requirements

The product used is subject to the following “Limited warranty and Disclaimer” and “Compliance Requirements”.

Read and accept them before using the product.

Limited warranty and Disclaimer

1. The warranty period of the product is 1 year in service or 1.5 years after the product is delivered, whichever is first.*2)
Also, the product may have specified durability, running distance or replacement parts. Please consult your nearest sales branch.
2. For any failure or damage reported within the warranty period which is clearly our responsibility, a replacement product or necessary parts will be provided.
This limited warranty applies only to our product independently, and not to any other damage incurred due to the failure of the product.
3. Prior to using SMC products, please read and understand the warranty terms and disclaimers noted in the specified catalog for the particular products.

*2) Vacuum pads are excluded from this 1 year warranty.

A vacuum pad is a consumable part, so it is warranted for a year after it is delivered.
Also, even within the warranty period, the wear of a product due to the use of the vacuum pad or failure due to the deterioration of rubber material are not covered by the limited warranty.

Compliance Requirements

1. The use of SMC products with production equipment for the manufacture of weapons of mass destruction (WMD) or any other weapon is strictly prohibited.
2. The exports of SMC products or technology from one country to another are governed by the relevant security laws and regulations of the countries involved in the transaction. Prior to the shipment of a SMC product to another country, assure that all local rules governing that export are known and followed.

Caution

SMC products are not intended for use as instruments for legal metrology.

Measurement instruments that SMC manufactures or sells have not been qualified by type approval tests relevant to the metrology (measurement) laws of each country. Therefore, SMC products cannot be used for business or certification ordained by the metrology (measurement) laws of each country.

Revision History

Edition B * The stainless steel type has been added.
* The G thread/Uni thread types have been added.
* “Made to Order” section has been added.
* Variation/AS32□1FS□-□02 has been added.
* The needle guide material has been changed.
* AS12□1FS-M5E, U10/32E has been added.
* The number of pages has been increased from 12 to 28. SR

Edition C * The universal type has been added.
* Indicator window directions: 90° and 270° have been added.
* The number of pages has been increased from 28 to 36. TZ

Edition D * An application example for restrictors (made to order) has been added. WO

Safety Instructions

Be sure to read the “Handling Precautions for SMC Products” (M-E03-3) and “Operation Manual” before use.