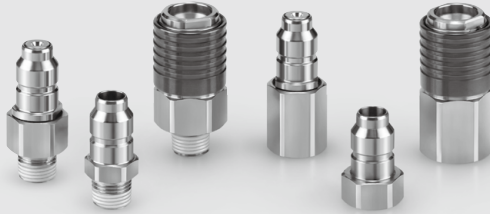


S Couplers

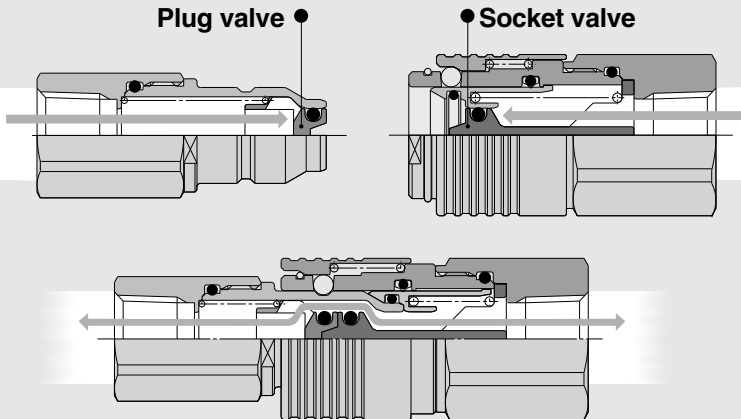
KKK Series

Stainless steel type

RoHS



- **Body material: Stainless steel 304**
Seal material: Fluororubber (Special FKM)
- **Both plug and socket have an integral check valve.**
Available with and without check valves depending on the operating conditions.
- **Reduces liquid dripping when the plug and socket are uncoupled.**
Liquid dripping: 0.02 to 0.77 cm³ at each removal
Aeration: 0.1 to 2.7 cm³ at each removal



- **Non-greased specification (standard)**
Allows smooth installation and removal even without grease
 - O-ring: Fluorine coated
 - Sliding parts of plug and socket: Fluorine coated is used.
- **Fluid: Water, Air**
- **Operating temperature range: -5 to 150°C**
Note) This product should not be used with steam.

KQ2

KQB2

KS
KX

KM

KF

M

H/DL
L/LL

KC

KK

KK130

DM

KDM

KB

KR

KA

KQG2

KG

KFG2

MS

KKK

KP

LQ

MQR

T

IDK

KKA Series

Plug (P)

Male thread type

| Body size | Port size | Part no. | |
|-----------|-----------|------------------|---------------------|
| | | With check valve | Without check valve |
| 1/8 | R 1/8 | KKA3P-01M | KKA3P-01M-1 |
| | R 1/4 | -02M | -02M-1 |
| | R 3/8 | -03M | -03M-1 |
| 1/4 | R 1/4 | KKA4P-02M | KKA4P-02M-1 |
| | R 3/8 | -03M | -03M-1 |
| | R 1/2 | -04M | -04M-1 |
| 1/2 | R 3/8 | KKA6P-03M | KKA6P-03M-1 |
| | R 1/2 | -04M | -04M-1 |
| | R 3/4 | -06M | -06M-1 |
| 3/4 | R 1/2 | KKA7P-04M | — |
| | R 3/4 | -06M | — |
| | R 1 | -10M | — |
| 1 | R 3/4 | KKA8P-06M | — |
| | R 1 | -10M | — |
| | R 1 1/4 | -12M | — |
| 1 1/4 | R 1 | KKA9P-10M | — |
| | R 1 1/4 | -12M | — |
| | R 1 1/2 | -14M | — |



With check valve



Without check valve

Socket (S)

Male thread type

| Body size | Port size | Part no. | |
|-----------|-----------|------------------|---------------------|
| | | With check valve | Without check valve |
| 1/8 | R 1/8 | KKA3S-01M | KKA3S-01M-1 |
| | R 1/4 | -02M | -02M-1 |
| | R 3/8 | -03M | -03M-1 |
| 1/4 | R 1/4 | KKA4S-02M | KKA4S-02M-1 |
| | R 3/8 | -03M | -03M-1 |
| | R 1/2 | -04M | -04M-1 |
| 1/2 | R 3/8 | KKA6S-03M | KKA6S-03M-1 |
| | R 1/2 | -04M | -04M-1 |
| | R 3/4 | -06M | -06M-1 |
| 3/4 | R 1/2 | KKA7S-04M | — |
| | R 3/4 | -06M | — |
| | R 1 | -10M | — |
| 1 | R 3/4 | KKA8S-06M | — |
| | R 1 | -10M | — |
| | R 1 1/4 | -12M | — |
| 1 1/4 | R 1 | KKA9S-10M | — |
| | R 1 1/4 | -12M | — |
| | R 1 1/2 | -14M | — |



Female thread type

| Body size | Port size | Part no. | |
|-----------|-----------|------------------|---------------------|
| | | With check valve | Without check valve |
| 1/8 | Rc 1/8 | KKA3P-01F | KKA3P-01F-1 |
| | Rc 1/4 | -02F | -02F-1 |
| | Rc 3/8 | -03F | -03F-1 |
| 1/4 | Rc 1/4 | KKA4P-02F | KKA4P-02F-1 |
| | Rc 3/8 | -03F | -03F-1 |
| | Rc 1/2 | -04F | -04F-1 |
| 1/2 | Rc 3/8 | KKA6P-03F | KKA6P-03F-1 |
| | Rc 1/2 | -04F | -04F-1 |
| | Rc 3/4 | -06F | -06F-1 |
| 3/4 | Rc 1/2 | KKA7P-04F | — |
| | Rc 3/4 | -06F | — |
| | Rc 1 | -10F | — |
| 1 | Rc 3/4 | KKA8P-06F | — |
| | Rc 1 | -10F | — |
| | Rc 1 1/4 | -12F | — |
| 1 1/4 | Rc 1 | KKA9P-10F | — |
| | Rc 1 1/4 | -12F | — |
| | Rc 1 1/2 | -14F | — |



With check valve



Without check valve

Female thread type

| Body size | Port size | Part no. | |
|-----------|-----------|------------------|---------------------|
| | | With check valve | Without check valve |
| 1/8 | Rc 1/8 | KKA3S-01F | KKA3S-01F-1 |
| | Rc 1/4 | -02F | -02F-1 |
| | Rc 3/8 | -03F | -03F-1 |
| 1/4 | Rc 1/4 | KKA4S-02F | KKA4S-02F-1 |
| | Rc 3/8 | -03F | -03F-1 |
| | Rc 1/2 | -04F | -04F-1 |
| 1/2 | Rc 3/8 | KKA6S-03F | KKA6S-03F-1 |
| | Rc 1/2 | -04F | -04F-1 |
| | Rc 3/4 | -06F | -06F-1 |
| 3/4 | Rc 1/2 | KKA7S-04F | — |
| | Rc 3/4 | -06F | — |
| | Rc 1 | -10F | — |
| 1 | Rc 3/4 | KKA8S-06F | — |
| | Rc 1 | -10F | — |
| | Rc 1 1/4 | -12F | — |
| 1 1/4 | Rc 1 | KKA9S-10F | — |
| | Rc 1 1/4 | -12F | — |
| | Rc 1 1/2 | -14F | — |



Refer to pages 227 to 230 for Specific Product Precautions.

S Couplers

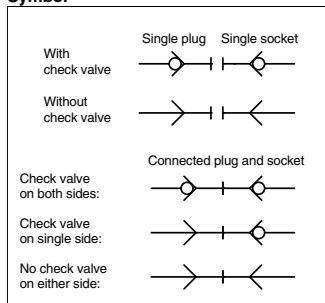
RoHS

KKK Series

Stainless steel type



Symbol



Characteristics with check valve on both sides

| Body size | Liquid dripping cm ³ at each removal | Aeration cm ³ at each removal |
|-----------|--|---|
| KKK3 | 0.02 | 0.1 |
| KKK4 | 0.04 | 0.1 |
| KKK6 | 0.06 | 0.2 |
| KKK7 | 0.14 | 0.5 |
| KKK8 | 0.27 | 0.9 |
| KKK9 | 0.77 | 2.7 |

Liquid dripping:

Volume of water leakage at the time when the plug and socket are uncoupled.

Aeration:

Volume of external air entrained when the plug and socket are connected.

Specifications

| | |
|-------------------------------|--|
| Fluid | Water, Air |
| Operating pressure range | KKK3: -100 kPa to 1 MPa KKK4/6/7/8/9: 0 to 1 MPa |
| Proof pressure | 10 MPa |
| Ambient and fluid temperature | -5 to 150°C (No freezing) Note) This product should not be used with steam. |
| Non-greased specification | No grease is used. (Rubber, Metal sliding parts: Fluorine coated) |
| Material | Metal part: Stainless steel 304, Rubber material: Fluororubber (Special FKM) |
| Seal | With male thread sealant |

Note 1) Do not use the S couplers with a leak tester or for vacuum retention because they are not guaranteed for zero leakage.

Performance

| | |
|----------------------------|--|
| Plug and socket connection | One-touch connection and release |
| Check valve | Check valve on both sides, Without check valve |

Note) KKA series cannot be connected with KK series or KKH series.

Effective Area

| | Plug | Socket | Effective area mm ² |
|--|-------------|-------------|--------------------------------|
| Plug: With check valve Socket: With check valve | KKK3P-01F | KKK3S-01F | 17.4 |
| | KKK4P-02F | KKK4S-02F | 26.4 |
| | KKK6P-04F | KKK6S-04F | 54.2 |
| | KKK7P-06F | KKK7S-06F | 99.6 |
| | KKK8P-10F | KKK8S-10F | 168.3 |
| Plug: Without check valve Socket: With check valve | KKK9P-12F | KKK9S-12F | 332.1 |
| | KKK3P-01M-1 | KKK3S-01M | 18.5 |
| | KKK4P-02M-1 | KKK4S-02M | 31.8 |
| | KKK6P-04M-1 | KKK6S-04M | 55.3 |
| | KKK3P-01M-1 | KKK3S-01M-1 | 22.6 |
| Plug: Without check valve Socket: Without check valve | KKK4P-02M-1 | KKK4S-02M-1 | 40.2 |
| | KKK6P-04M-1 | KKK6S-04M-1 | 76.0 |

How to Order

KKK 4 P - 02 M

Body size

| | |
|---|-------|
| 3 | 1/8 |
| 4 | 1/4 |
| 6 | 1/2 |
| 7 | 3/4 |
| 8 | 1 |
| 9 | 1 1/4 |

Socket/Plug designation

| | |
|---|--------|
| P | Plug |
| S | Socket |

Port size

| Symbol | Thread size |
|--------|-------------|
| 01 | R, Rc 1/8 |
| 02 | R, Rc 1/4 |
| 03 | R, Rc 3/8 |
| 04 | R, Rc 1/2 |
| 06 | R, Rc 3/4 |
| 10 | R, Rc 1 |
| 12 | R, Rc 1 1/4 |
| 14 | R, Rc 1 1/2 |

Built-in check valve

| | |
|-----|---------------------|
| Nil | With check valve |
| -1 | Without check valve |

Note) KKA7/8/9 is not available without a check valve. Contact us when such a type is needed.

Connection type

| Symbol | Type |
|--------|----------------------------|
| M | Male thread (with sealant) |
| F | Female thread |

| Built-in check valve | Plug | Socket | Availability |
|----------------------|------|--------|--------------|
| | Yes | Yes | ○ |
| No | Yes | ○ | |
| No | No | ○ | |
| Yes | No | × | |

Note) A plug with check valve should be used in combination with a socket with check valve.

If a socket without check valve is used, the check valve of the plug will not open.

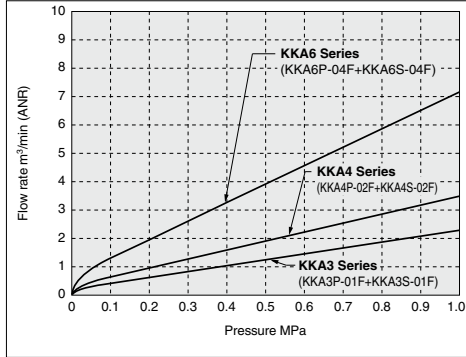
For details on body size and port size combinations for each model, refer to the charts on the Dimensions page.

KKA Series

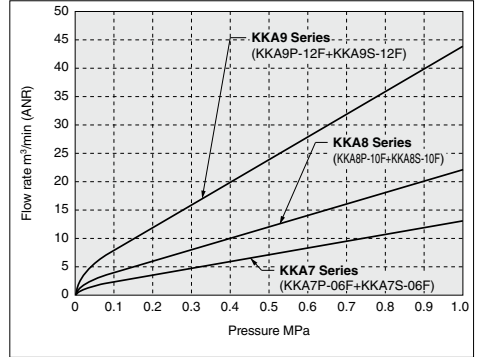
Flow Rate Characteristics

Air

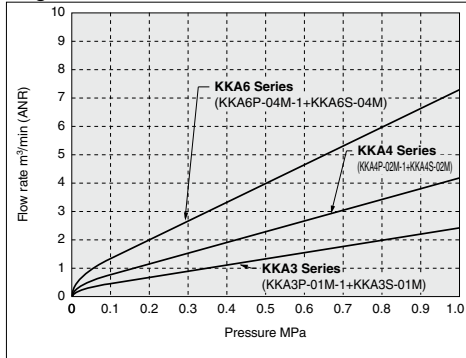
Plug: With check valve Socket: With check valve



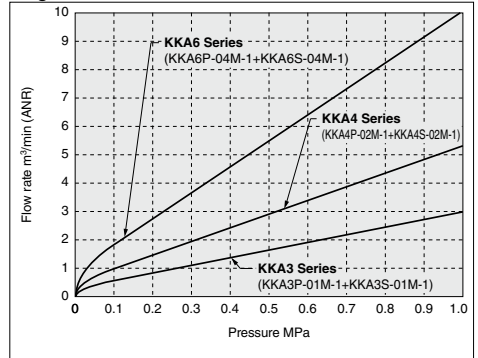
Plug: With check valve Socket: With check valve



Plug: Without check valve Socket: With check valve



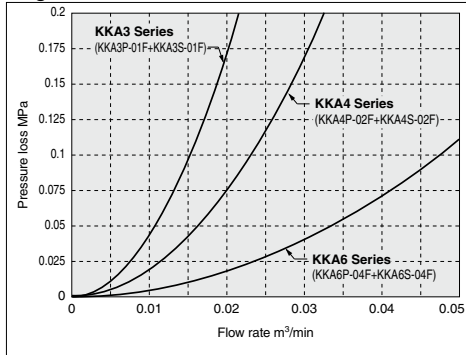
Plug: Without check valve Socket: Without check valve



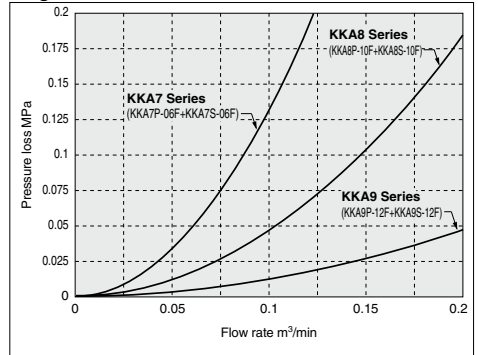
Pressure Loss

Water

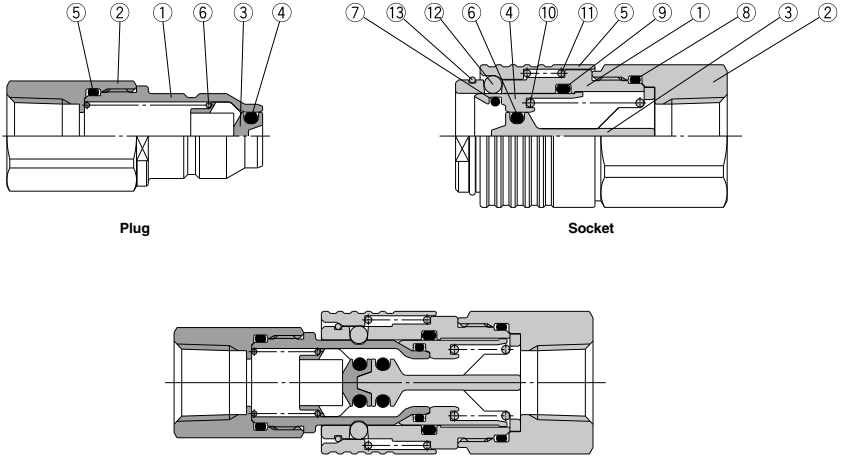
Plug: With check valve Socket: With check valve



Plug: With check valve Socket: With check valve



Construction



Plug

Socket

Plug

| No. | Description | Material | Note |
|-----|-------------------|-----------------------------------|------------------|
| 1 | Stem | Stainless steel 304 | Fluorine coated |
| 2 | Rear stem | Stainless steel 304 | |
| 3 | Plug valve | Stainless steel 304 | |
| 4 | Valve O-ring | Special FKM | Fluorine coated |
| 5 | Stem O-ring | Special FKM | Fluorine coated |
| 6 | Plug valve spring | Equivalent to Stainless steel 304 | KKA3 |
| | | Stainless steel 304 | KKA4, 6, 7, 8, 9 |

Socket

| No. | Description | Material | Note |
|-----|---------------|-----------------------------------|---|
| 1 | Body | Stainless steel 304 | |
| 2 | Rear body | Stainless steel 304 | |
| 3 | Socket valve | Stainless steel 304 | |
| 4 | Collar | Stainless steel 304 | Fluorine coated |
| 5 | Sleeve | Stainless steel 304 | Plated with fluorine-contained material |
| 6 | Valve O-ring | Special FKM | Fluorine coated |
| 7 | Plug O-ring | Special FKM | Fluorine coated |
| 8 | Body O-ring | Special FKM | Fluorine coated |
| 9 | Collar seal | Special FKM | Fluorine coated |
| 10 | Collar spring | Equivalent to Stainless steel 304 | KKA3, 4, 6 |
| | | Stainless steel 304 | KKA7, 8, 9 |
| 11 | Sleeve spring | Stainless steel 304 | |
| 12 | Steel ball | Stainless steel 304 | |
| 13 | Stopper ring | Stainless steel 304 | |

KKA Series Spare Parts

| Description | Product no. | No. |
|-------------|-------------|----------|
| Plug O-ring | KKA3S-P01 | Socket ⑦ |
| | KKA4S-P01 | |
| | KKA6S-P01 | |
| | KKA7S-P01 | |
| | KKA8S-P01 | |
| | KKA9S-P01 | |

KQ2

KQB2

KS
KX

KM

KF

M

H/DL
L/LL

KC

KK

KK130

DM

KDM

KB

KR

KA

KQG2

KG

KFG2

MS

KKA

KP

LQ

MQR

T

IDK

KKA Series

Dimensions/Plug (P)

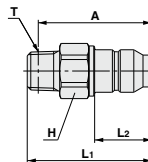
With check valve

Male thread type

(mm)



| Body size | Model | T Connection port size | H Width across flats | L1 | L2 | A | Min. bore size | Effective area mm ² | Weight g |
|-----------|-----------|------------------------|----------------------|-------|------|------|----------------|--------------------------------|----------|
| 1/8 | KKA3P-01M | R 1/8 | 14 | 35.4 | 16.0 | 31.4 | 5.6 | 17.4 | 15.4 |
| | -02M | R 1/4 | | 38.4 | | 32.4 | | | 19.8 |
| | -03M | R 3/8 | | 39.4 | | 32.9 | | | 32.9 |
| 1/4 | KKA4P-02M | R 1/4 | 17 | 42.2 | 18.9 | 36.2 | 6.9 | 26.4 | 28.3 |
| | -03M | R 3/8 | | 43.2 | | 36.7 | | | 36.6 |
| | -04M | R 1/2 | | 46.2 | | 38.2 | | | 65.9 |
| 1/2 | KKA6P-03M | R 3/8 | 24 | 47.1 | 20.4 | 40.6 | 10.0 | 54.2 | 60.3 |
| | -04M | R 1/2 | | 47.9 | | 39.9 | | | 69.2 |
| | -06M | R 3/4 | | 30 | | 40.4 | | | 119.0 |
| 3/4 | KKA7P-04M | R 1/2 | 32 | 66.3 | 27.6 | 58.1 | 13.5 | 99.6 | 173.9 |
| | -06M | R 3/4 | | 69.4 | | 59.9 | | | 209.6 |
| | -10M | R 1 | | 36 | | 69.9 | | | 275.0 |
| 1 | KKA8P-06M | R 3/4 | 41 | 82.9 | 35.6 | 73.4 | 17.5 | 168.3 | 362.8 |
| | -10M | R 1 | | 85.4 | | 75.0 | | | 403.9 |
| | -12M | R 1 1/4 | | 46 | | 85.4 | | | 72.7 |
| 1 1/4 | KKA9P-10M | R 1 | 55 | 109.5 | 49.1 | 99.1 | 24.6 | 332.1 | 824.1 |
| | -12M | R 1 1/4 | | 109.0 | | 96.3 | | | 861.4 |
| | -14M | R 1 1/2 | | 109.0 | | 96.3 | | | 936.3 |

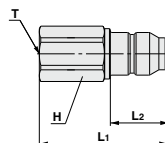


Female thread type

(mm)



| Body size | Model | T Connection port size | H Width across flats | L1 | L2 | Min. bore size | Effective area mm ² | Weight g | |
|-----------|-----------|------------------------|----------------------|-------|------|----------------|--------------------------------|----------|-------|
| 1/8 | KKA3P-01F | Rc 1/8 | 14 | 36.0 | 16.0 | 5.6 | 17.4 | 20.2 | |
| | -02F | Rc 1/4 | | 39.6 | | | | 31.8 | |
| | -03F | Rc 3/8 | | 19 | | | | 40.4 | 35.8 |
| 1/4 | KKA4P-02F | Rc 1/4 | 17 | 43.4 | 18.9 | 6.9 | 26.4 | 36.1 | |
| | -03F | Rc 3/8 | | 19 | | | | 44.4 | 40.2 |
| | -04F | Rc 1/2 | | 48.6 | | | | 69.7 | |
| 1/2 | KKA6P-03F | Rc 3/8 | 24 | 48.7 | 20.4 | 10.0 | 54.2 | 84.1 | |
| | -04F | Rc 1/2 | | 52.9 | | | | 79.7 | |
| | -06F | Rc 3/4 | | 30 | | | | 54.6 | 123.8 |
| 3/4 | KKA7P-04F | Rc 1/2 | 32 | 67.7 | 27.6 | 13.5 | 99.6 | 217.1 | |
| | -06F | Rc 3/4 | | 69.4 | | | | 196.8 | |
| | -10F | Rc 1 | | 72.4 | | | | 325.9 | |
| 1 | KKA8P-06F | Rc 3/4 | 41 | 82.0 | 35.6 | 17.5 | 168.3 | 420.5 | |
| | -10F | Rc 1 | | 85.0 | | | | 391.3 | |
| | -12F | Rc 1 1/4 | | 50 | | | | 87.3 | 552.8 |
| 1 1/4 | KKA9P-10F | Rc 1 | 55 | 107.8 | 49.1 | 24.6 | 332.1 | 986.9 | |
| | -12F | Rc 1 1/4 | | 110.1 | | | | 925.6 | |
| | -14F | Rc 1 1/2 | | 110.1 | | | | 848.2 | |



Dimensions/Socket (S)

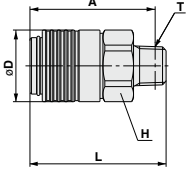
With check valve

Male thread type

(mm)



| Body size | Model | T Connection port size | H Width across flats | øD | L | A | Min. bore size | Effective area mm ² | Weight g |
|-----------|-----------|------------------------|----------------------|------|-------|-------|----------------|--------------------------------|----------|
| 1/8 | KKA3S-01M | R 1/8 | 17 | 18.5 | 38.1 | 34.1 | 5.9 | 18.5 | 38.5 |
| | -02M | R 1/4 | | | 41.1 | 35.1 | | | 41.8 |
| | -03M | R 3/8 | | | 42.1 | 35.6 | | | 46.3 |
| 1/4 | KKA4S-02M | R 1/4 | 22 | 24.2 | 46.0 | 40.0 | 7.7 | 31.8 | 76.8 |
| | -03M | R 3/8 | | | 47.0 | 40.5 | | | 78.5 |
| | -04M | R 1/2 | | | 50.0 | 42.0 | | | 86.6 |
| 1/2 | KKA6S-03M | R 3/8 | 30 | 30.7 | 51.4 | 44.9 | 10.2 | 55.3 | 149.1 |
| | -04M | R 1/2 | | | 54.4 | 46.4 | | | 160.4 |
| | -06M | R 3/4 | | | 56.4 | 46.9 | | | 184.8 |
| 3/4 | KKA7S-04M | R 1/2 | 36 | 42.5 | 76.3 | 68.1 | 13.6 | 101.5 | 426.1 |
| | -06M | R 3/4 | | | 79.3 | 69.8 | | | 457.8 |
| | -10M | R 1 | | | 82.8 | 72.4 | | | 514.0 |
| 1 | KKA8S-06M | R 3/4 | 46 | 55 | 94.9 | 85.4 | 17.6 | 169.9 | 873.5 |
| | -10M | R 1 | | | 98.4 | 88.0 | | | 931.1 |
| | -12M | R 1 1/4 | | | 100.4 | 87.7 | | | 1012.9 |
| 1 1/4 | KKA9S-10M | R 1 | 63 | 69 | 125.5 | 115.1 | 22.0 | 264.9 | 1680.7 |
| | -12M | R 1 1/4 | | | 127.5 | 114.8 | | | 1758.1 |
| | -14M | R 1 1/2 | | | 127.5 | 114.8 | | | 1819.4 |

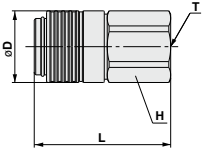


Female thread type

(mm)



| Body size | Model | T Connection port size | H Width across flats | øD | L | Min. bore size | Effective area mm ² | Weight g |
|-----------|-----------|------------------------|----------------------|------|-------|----------------|--------------------------------|----------|
| 1/8 | KKA3S-01F | Rc 1/8 | 17 | 18.5 | 37.6 | 5.9 | 18.5 | 46.9 |
| | -02F | Rc 1/4 | | | 41.2 | | | 47.2 |
| | -03F | Rc 3/8 | | | 43.1 | | | 52.3 |
| 1/4 | KKA4S-02F | Rc 1/4 | 22 | 24.2 | 46.1 | 7.7 | 31.8 | 97.1 |
| | -03F | Rc 3/8 | | | 46.9 | | | 91.1 |
| | -04F | Rc 1/2 | | | 52.3 | | | 104.3 |
| 1/2 | KKA6S-03F | Rc 3/8 | 30 | 30.7 | 50.5 | 10.2 | 55.3 | 189.6 |
| | -04F | Rc 1/2 | | | 56.2 | | | 202.0 |
| | -06F | Rc 3/4 | | | 57.9 | | | 180.6 |
| 3/4 | KKA7S-04F | Rc 1/2 | 36 | 42.5 | 75.1 | 13.6 | 101.5 | 477.2 |
| | -06F | Rc 3/4 | | | 76.5 | | | 457.4 |
| | -10F | Rc 1 | | | 82.3 | | | 550.9 |
| 1 | KKA8S-06F | Rc 3/4 | 46 | 55 | 90.9 | 17.6 | 169.9 | 935.2 |
| | -10F | Rc 1 | | | 93.9 | | | 914.7 |
| | -12F | Rc 1 1/4 | | | 99.2 | | | 1002.1 |
| 1 1/4 | KKA9S-10F | Rc 1 | 63 | 69 | 121.8 | 25.1 | 344.9 | 1919.1 |
| | -12F | Rc 1 1/4 | | | 121.8 | | | 1810.0 |
| | -14F | Rc 1 1/2 | | | 121.8 | | | 1732.6 |



- KQ2
- KQB2
- KS
- KX
- KM
- KF
- M
- H/DL
- L/LL
- KC
- KK
- KK130
- DM
- KDM
- KB
- KR
- KA
- KQG2
- KG
- KFG2
- MS
- KKA**
- KP
- LQ
- MQR
- T
- IDK

KKA Series

Dimensions/Plug (P)

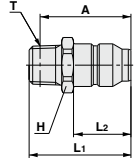
Without check valve

Male thread type

(mm)



| Body size | Model | T Connection port size | H Width across flats | L1 | L2 | A | Min. bore size | Effective area mm ² | Weight g |
|-----------|-------------|------------------------|----------------------|------|------|------|----------------|--------------------------------|----------|
| 1/8 | KKA3P-01M-1 | R 1/8 | 12 | 28.5 | 16.0 | 24.5 | 6.0 | 22.6 | 9.8 |
| | -02M-1 | R 1/4 | 14 | 31.5 | | 25.5 | | | 14.6 |
| | -03M-1 | R 3/8 | 17 | 32.5 | | 26.0 | | | 23.6 |
| 1/4 | KKA4P-02M-1 | R 1/4 | 17 | 34.4 | 18.9 | 28.4 | 8.0 | 40.2 | 21.0 |
| | -03M-1 | R 3/8 | | 35.4 | | 28.9 | | | 27.9 |
| | -04M-1 | R 1/2 | | 39.4 | | 31.4 | | | 50.2 |
| 1/2 | KKA6P-03M-1 | R 3/8 | 22 | 37.9 | 20.4 | 31.4 | 11.0 | 76.0 | 41.9 |
| | -04M-1 | R 1/2 | | 40.9 | | 32.9 | | | 56.0 |
| | -06M-1 | R 3/4 | | 42.9 | | 33.4 | | | 98.7 |

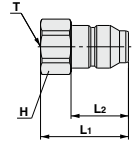


Female thread type

(mm)



| Body size | Model | T Connection port size | H Width across flats | L1 | L2 | Min. bore size | Effective area mm ² | Weight g |
|-----------|-------------|------------------------|----------------------|------|------|----------------|--------------------------------|----------|
| 1/8 | KKA3P-01F-1 | Rc 1/8 | 14 | 23.2 | 16.0 | 6.0 | 22.6 | 9.6 |
| | -02F-1 | Rc 1/4 | 17 | 30.3 | | | | 20.2 |
| | -03F-1 | Rc 3/8 | 19 | 32.0 | | | | 26.2 |
| 1/4 | KKA4P-02F-1 | Rc 1/4 | 17 | 29.7 | 18.9 | 8.0 | 40.2 | 20.0 |
| | -03F-1 | Rc 3/8 | 19 | 34.0 | | | | 25.8 |
| | -04F-1 | Rc 1/2 | 24 | 39.4 | | | | 46.1 |
| 1/2 | KKA6P-03F-1 | Rc 3/8 | 22 | 30.9 | 20.4 | 11.0 | 76.0 | 34.3 |
| | -04F-1 | Rc 1/2 | 24 | 39.6 | | | | 50.0 |
| | -06F-1 | Rc 3/4 | 30 | 42.8 | | | | 78.6 |



Dimensions/Socket (S)

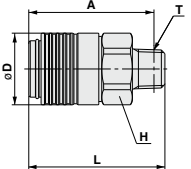
Without check valve

Male thread type

(mm)



| Body size | Model | T Connection port size | H Width across flats | øD | L | A | Min. bore size | Effective area mm ² | Weight g |
|-----------|-------------|------------------------|----------------------|------|------|------|----------------|--------------------------------|----------|
| 1/8 | KKA3S-01M-1 | R 1/8 | 17 | 18.5 | 38.1 | 34.1 | 6.1 | 23.4 | 36.1 |
| | -02M-1 | R 1/4 | | | 41.1 | 35.1 | | | 39.4 |
| | -03M-1 | R 3/8 | | | 42.1 | 35.6 | | | 43.9 |
| 1/4 | KKA4S-02M-1 | R 1/4 | 22 | 24.2 | 46.0 | 40.0 | 8.1 | 41.2 | 71.9 |
| | -03M-1 | R 3/8 | | | 47.0 | 40.5 | | | 73.6 |
| | -04M-1 | R 1/2 | | | 50.0 | 42.0 | | | 81.7 |
| 1/2 | KKA6S-03M-1 | R 3/8 | 30 | 30.7 | 51.4 | 44.9 | 11.4 | 81.6 | 138.3 |
| | -04M-1 | R 1/2 | | | 54.4 | 46.4 | | | 149.6 |
| | -06M-1 | R 3/4 | | | 56.4 | 46.9 | | | 174.0 |



Female thread type

(mm)



| Body size | Model | T Connection port size | H Width across flats | øD | L | Min. bore size | Effective area mm ² | Weight g |
|-----------|-------------|------------------------|----------------------|------|------|----------------|--------------------------------|----------|
| 1/8 | KKA3S-01F-1 | Rc 1/8 | 17 | 18.5 | 37.6 | 6.1 | 23.4 | 44.5 |
| | -02F-1 | Rc 1/4 | | | 41.2 | | | 44.8 |
| | -03F-1 | Rc 3/8 | | | 43.1 | | | 49.9 |
| 1/4 | KKA4S-02F-1 | Rc 1/4 | 22 | 24.2 | 46.1 | 8.1 | 41.2 | 92.2 |
| | -03F-1 | Rc 3/8 | | | 46.9 | | | 86.2 |
| | -04F-1 | Rc 1/2 | | | 52.3 | | | 99.4 |
| 1/2 | KKA6S-03F-1 | Rc 3/8 | 30 | 30.7 | 50.5 | 11.4 | 81.6 | 178.8 |
| | -04F-1 | Rc 1/2 | | | 56.2 | | | 191.2 |
| | -06F-1 | Rc 3/4 | | | 57.9 | | | 169.8 |

