

ISO/VDMA Cylinder: Large Bore Size Type

Series C95

ø125, ø160, ø200, ø250

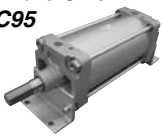
Conforming to ISO 6431/CETOP RP43P/VDMA 24562



Series C95 standard type single rod ø125 has been remodeled. When selecting this model, please consider the new C96 series.

- CJ1
- CJP
- CJ2
- CM2
- CG1
- MB
- MB1
- CA2
- CS1
- C76
- C85
- C95**
- CP95
- NCM
- NCA
- D-
- X
- 20-
- Data

Series Variations

Series	Action	Type	Basic	Standard variations		Option	Bore (mm)	Page
				Built-in magnet	Stainless steel rod			
Large Bore Size Series C95 	Double acting	Single rod	Non-lube			Heat resistant	125 160 200 250	6-12-34

ISO/VDMA Cylinder: Large Bore Size Type Double Acting, Single Rod

Series C95

ø125, ø160, ø200, ø250

Series C95 standard type single rod ø125 has been remodeled. When selecting this model, please consider the new C96 series.

How to Order

Without auto switch **C95S** **B** **125** **100**

With auto switch **C95SD** **B** **125** **100** **A53** **S**

Built-in magnet

Mounting style

B	Basic/without bracket style
L	Axial foot style
F	Rod side flange style
G	Head side flange style
C	Single clevis style
D	Double clevis style
T	Center trunnion style

Bore size

125	125 mm
160	160 mm
200	200 mm
250	250 mm

Stroke (mm)
Refer to "Standard Stroke" on page 6-12-35.

Number of auto switches

Nil	2 pcs.
S	1 pc.
3	3 pcs.
n	"n" pcs.

Auto switch

Nil	Without auto switch
------------	---------------------

* For the applicable auto switch model, refer to the table below.

Applicable Auto Switch/Tie-rod Mounting

Type	Special function	Electrical entry	Indicator light	Wiring (Output)	Load voltage			Auto switch model		Lead wire length (m)			Applicable load				
					DC	AC		Tie-rod mounting	Band mounting	0.5 (Nil)	3 (L)	5 (Z)					
Reed switch	—	Grommet	Yes	3-wire (Equiv. to NPN)	24 V	5 V	—	A56	—	●	●	—	IC	—			
						12 V	100 V, 200 V	A53	—	●	●	●	—	—			
				2-wire	5 V, 12 V	—	A67	—	●	●	—	IC	Relay, PLC				
					12 V	200 V or less	A64	—	●	●	—	—	—				
				A59W	—	●	●	—	—	—	—	—					
	Diagnostic indication (2-color)	Grommet	No	3-wire	24 V	5 V	—	Z76	—	●	●	—	IC	— Note)			
						12 V	AC 100	Z73	—	●	●	●	—	Relay, PLC Note)			
				2-wire	5 V, 12 V	100 V or less	Z80	—	●	●	—	IC	Relay, PLC Note)				
					12 V	100 V, 200 V	—	A33	—	—	—	—	PLC Note)				
				—	Terminal conduit	Yes	—	—	—	—	—	—	—	Relay, PLC Note)			
Solid state switch	—	Grommet	Yes	3-wire (NPN)	24 V	5 V, 12 V	—	F59	—	●	●	○	IC	Relay, PLC			
						3-wire (PNP)	100 V, 200 V	F5P	—	●	●	○	—				
				2-wire	12 V	—	J51	—	●	●	○	—					
					—	—	J59	—	●	●	○	—					
				Diagnostic indication (2-color)	Grommet	Yes	3-wire (NPN)	24 V	5 V, 12 V	—	F59W	—	●		●	○	IC
									3-wire (PNP)	—	F5PW	—	●		●	○	—
				Water resistant (2-color)	Grommet	Yes	2-wire	24 V	12 V	—	J59W	—	●		●	○	—
									—	—	F5BAL	—	—		●	○	—
				Diagnostic output (2-color)	Grommet	Yes	3-wire (NPN)	24 V	5 V, 12 V	—	F5NTL	—	—		●	○	IC
									4-wire (NPN)	—	F59F	—	●		●	○	—
	—	Grommet	Yes	3-wire (NPN)	24 V	5 V, 12 V	—	Y59A	—	●	●	○	IC				
						2-wire	12 V	—	Y59B	—	●	●	○	—			
	Diagnostic indication (2-color)	Grommet	Yes	3-wire (PNP)	24 V	5 V, 12 V	—	Y7P	—	●	●	○	—				
						3-wire (NPN)	—	Y7NW	—	●	●	○	IC				
	Water resistant (2-color)	Grommet	Yes	3-wire (PNP)	24 V	5 V, 12 V	—	Y7PW	—	●	●	○	—				
						3-wire (NPN)	—	Y7BW	—	●	●	○	—				
	—	Terminal conduit	Yes	2-wire	24 V	12 V	—	Y7BAL	—	—	●	○	—				
						3-wire (NPN)	5 V, 12 V	—	G39	—	—	—	IC				
	—	Terminal conduit	Yes	2-wire	24 V	12 V	—	K39	—	—	—	—	—				

* Lead wire length symbols: 0.5 m Nil (Example) A53
 3 m L (Example) A53L
 5 m Z (Example) A53Z
 ○: Manufactured upon receipt of order.
 Note) Switch can not be mounted on ø250
 Refer to page 6-16-1 for details of applicable auto switches in addition to those listed above.

Mounting Bracket Part No.

Bore size (mm)	125	160	200	250
Foot (1)	L5125	L5160	L5200	L5250
Flange	F5125	F5160	F5200	F5250
Single clevis	C5125	C5160	C5200	C5250
Double clevis	D5125	D5160	D5200	D5250

Note 1) Two foot brackets and mounting bolts (4 pieces) are included in this no. (ø125 to ø250)

Note 2) Accessories for mounting brackets are as follows
 Foot, Flange, Single clevis: Mounting bolts
 Double clevis : Clevis pin, Retaining rings, Mounting bolts

Auto Switch Mounting Bracket Part No.

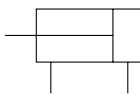
Bore size (mm)	125	160	200	250
D-A3/A4/K3/G3	BS1-125	BS1-160	BS1-200	—
D-A5/A6/F5/J5	BT-08	BT-16	BT-16	BT-20
D-Z□/Y□	BA4-080	BS4-160	BS4-160	—

ISO/VDMA Cylinder: Large Bore Size Type Double Acting, Single Rod **Series C95**

Specifications

Bore size (mm)	125	160	200	250
Action	Double acting			
Fluid	Air			
Proof pressure	1.5 MPa			
Max. operating pressure	1.0 MPa			
Min. operating pressure	0.05 MPa			
Ambient and fluid temperature	Without auto switch: -10 to 70°C (No freezing) With auto switch: -10 to 60°C (No freezing)			
Lubrication	Not required (Non-lube)			
Operating piston speed	50 to 700 mm/sec	50 to 500 mm/sec		
Allowable stroke tolerance	Up to 250: ^{+1.0} ₀ , 251 to 1000: ^{+1.4} ₀ , 1001 to 1500: ^{+1.8} ₀			
Cushion	Both ends (Air cushion)			
Thread tolerance	JIS Class 2			
Port size	G 1/2	G 3/4		G 1
Mounting	Basic style, Axial foot style, Rod side flange style, Head side flange style, Single clevis style, Double clevis style, Center trunnion style			

JIS Symbol
Double acting



Minimum Stroke for Auto Switch Mounting

Refer to page 6-12-40 for "Minimum Stroke for Auto Switch Mounting".

Standard Stroke

Bore size (mm)	Max. * stroke
125	1600
160	1600
200	2000
250	2400

Intermediate strokes are available.

* Please consult with SMC for longer strokes.

Theoretical Output

Bore size (mm)	Rod diameter (mm)	Operating direction	Piston area (mm ²)	Operating pressure (MPa)								
				0.2	0.3	0.4	0.5	0.6	0.7	0.8	0.9	1.0
125	32	OUT	12272	2454	3682	4909	6136	7363	8590	9818	11045	12272
		IN	11468	2294	3440	4587	5734	6881	8028	9174	10321	11468
160	40	OUT	20106	4021	6032	8042	10053	12064	14074	16085	18095	20106
		IN	18850	3770	5655	7540	9425	11310	13195	15080	16965	18850
200	40	OUT	31416	6283	9425	12566	15708	18850	21991	25133	28274	31416
		IN	30159	6032	9048	12064	15080	18095	21111	24127	27143	30159
250	50	OUT	49087	9817	14726	19635	24544	29452	34361	39270	44178	49087
		IN	47124	9425	14137	18850	23562	28274	32987	37699	42412	47124

(Note) Theoretical force (N) = Pressure (MPa) x Piston area (mm²)

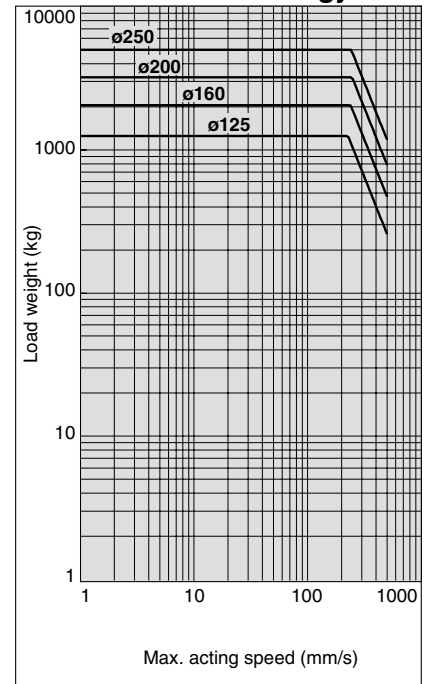
Weight/Aluminum Tube

Bore size (mm)		125	160	200	250
Basic weight	Basic style	7.45	14.54	20.20	37.17
	Foot style	2.60	4.90	7.76	15.00
	Flange style	4.10	2.45	11.75	20.29
	Single clevis style	4.15	6.90	9.10	18.60
	Double clevis style	4.25	6.30	9.25	18.46
	Trunnion style	2.98	4.50	7.23	14.40
Additional weight per each 50 mm of stroke	All mounting brackets	0.54	0.83	0.90	1.60
Accessory	Single rod clevis	1.20	1.62	1.62	2.76
	Double clevis (With pin)	1.84	3.92	3.92	6.69

Calculation: (Example) CP95SD160-100

- Basic weight 14.54 (kg) (Basic, ø160)
 - Mounting 6.30 (kg) (Double clevis)
 - Additional weight ... 0.83 (kg/50 st)
 - Cylinder stroke 100 (st)
- 14.54 + 0.83 x 100 ÷ 50 + 6.30 = 22.50 kg

Allowable Kinetic Energy



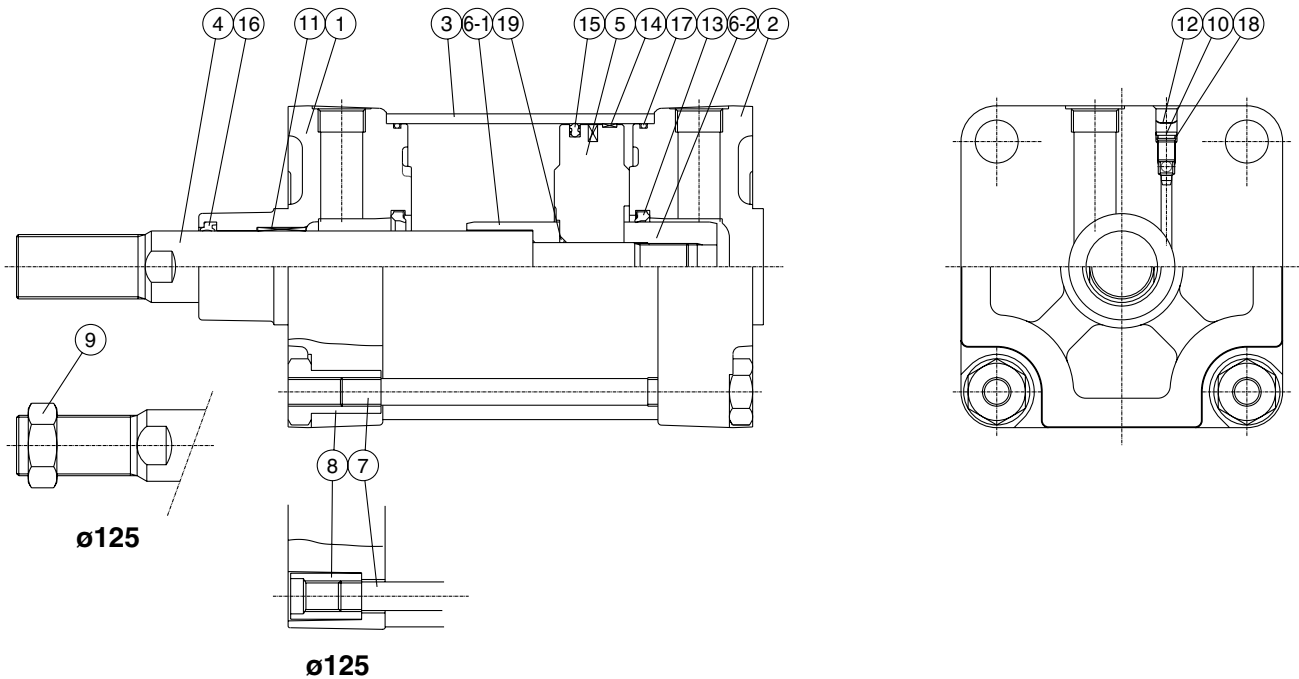
Example:

Load limit at rod end when air cylinder ø200 is actuated with max. actuating speed 500 mm/s. See the intersection of lateral axis 500 mm/s and ø200 line, and extend the intersection to left. Thus the allowable load is 800 kg.

Series C95

Construction

[First angle projection]



Component Parts

No.	Description	Material	Qty.	Note
①	Rod cover	Aluminum die-casted	1	Only ø125
②	Head cover	Aluminum die-casted	1	Only ø125
③	Cylinder tube	Aluminum alloy	1	
④	Piston rod	Carbon steel	1	
⑤	Piston	Aluminum alloy	1	
⑥	Cushion ring A	Rolled steel	1	
⑥	Cushion ring B	Rolled steel	1	
⑦	Tie-rod	Carbon steel	4	
⑧	Tie-rod nut	Steel	8	
⑨	Rod end nut	Steel	1	Only ø125
⑩	Cushion valve	Steel wire	2	
⑪	Bushing	Lead-bronze casted	1	
⑫	Snap ring	Steel for spring	2	
⑬	Cushion seal	Urethane	2	
⑭	Wear ring	Resin	1	
⑮	Piston seal	NBR	1	
⑯	Rod seal	NBR	1	
⑰	Cylinder tube gasket	NBR	2	
⑱	Cushion valve seal	NBR	2	
⑲	Piston gasket	NBR	1	
⑳	Magnet ring		1	

ø160 to ø250

No.	Description	Material	Qty.	Note
①	Rod cover	Aluminum casted	1	
②	Head cover	Aluminum casted	1	

Replacement Parts: Seal Kit

Bore size (mm)	Kit no.	Contents
125	CS95-125	Kits include items ⑬ to ⑰ from the table above.
160	CS95-160	
200	CS95-200	
250	CS95-250	

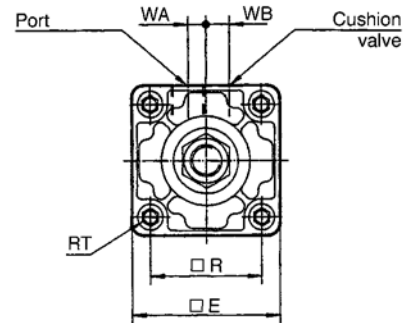
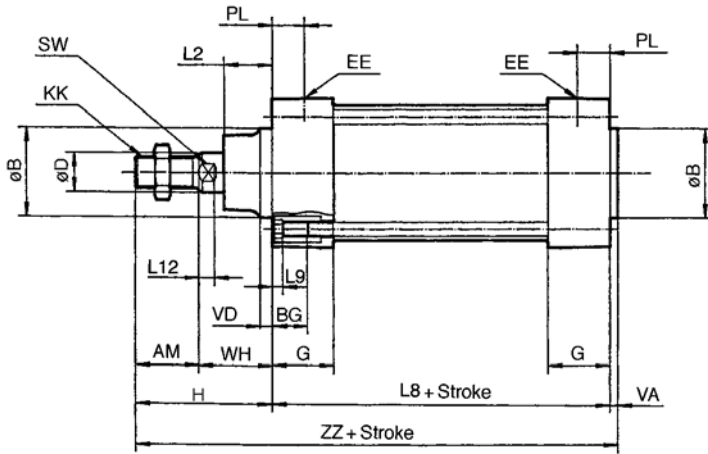
* Seal kits consist of items ⑬ to ⑰ contained in one kit, and can be ordered using the order number for each respective tube bore size.

ISO/VDMA Cylinder: Large Bore Size Type
Double Acting, Single Rod Series C95

Dimensions: Without Mounting Bracket

[First angle projection]

C95SB Bore size - Stroke



- CJ1
- CJP
- CJ2
- CM2
- CG1
- MB
- MB1
- CA2
- CS1
- C76
- C85
- C95**
- CP95
- NCM
- NCA
- D-
- X
- 20-
- Data

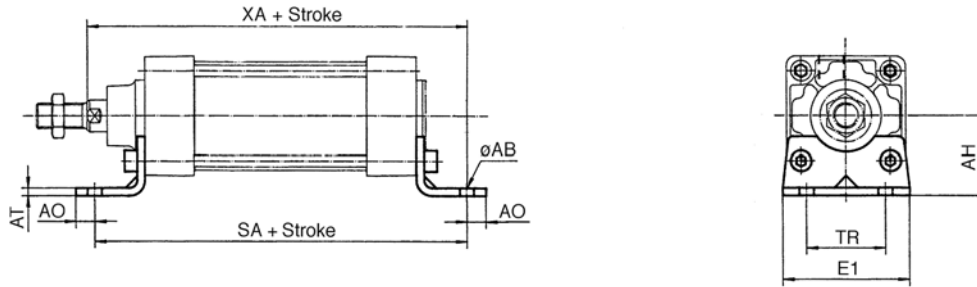
Bore size (mm)	AM	øB e11	øD	EE	PL	RT	L12	KK	SW	G	BG (Min.)	L8	VD	VA	WA	WB	WH	ZZ	□E	□R	L2	L9
125	54	60	32	G 1/2	19	M12 x 1.75	13	M27 x 2	27	38	20	160	10	6	17	15	65	285	136	110	40	6
160	72	65	40	G 3/4	30	M16 x 2	15	M36 x 2	36	55	27	180	8	6	15	25	80	338	180	140	50	0
200	72	75	40	G 3/4	35	M16 x 2	15	M36 x 2	36	57	27	180	15	6	18	25	95	353	220	175	55	0
250	84	90	50	G 1	31	M20 x 2.5	20	M42 x 2	46	59	29	200	20	10	20	28	105	399	270	220	65	0

Series C95

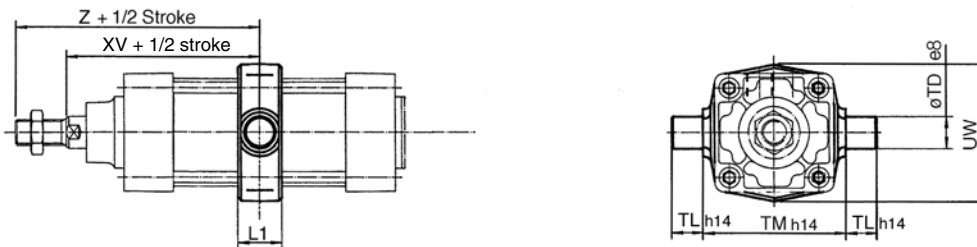
Dimensions: Cylinder Mounting Accessory

[First angle projection]

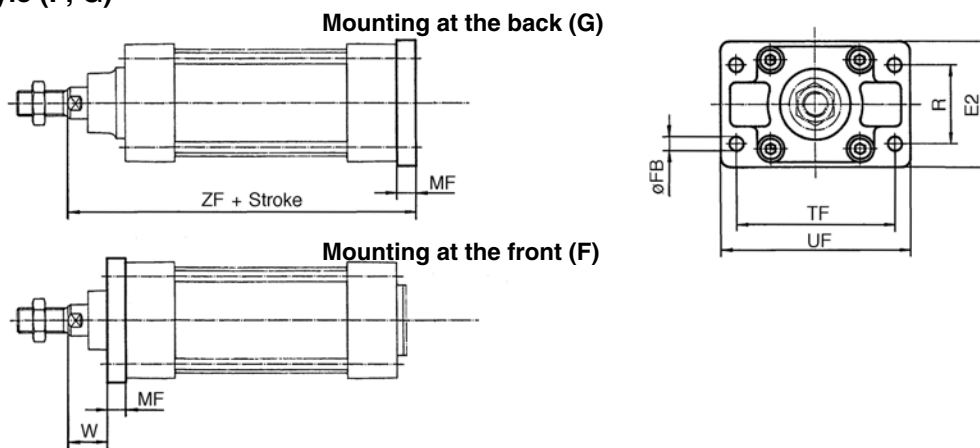
Foot style (L)



Center trunnion style (T)

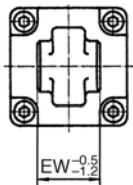


Flange style (F, G)



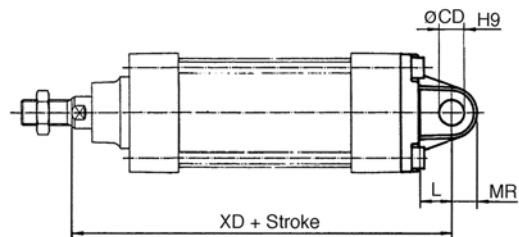
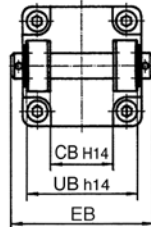
Head side

single clevis style (C)



Head side

double clevis style (D)



Bore (mm)	E1	R	W	MF	ZF	øFB	øCD H9	EB	L	XD	UB h14	CB H14	EW -0.5/-1.2	MR	TR	AO	AT	XA	SA	AH	øAB	L1	XV	Z	TL h14	øTD e8	TM h14	UW	TF	UF	E2
125	Max. 157	90	45	20	245	16	25	Max. 157	Min. 30	275	130	70	70	Max. 26	90	Max. 25	8	270	250	90	16	Max. 50	145	199	25	25	160	Max. 160	180	Max. 224	Max. 157
160	Max. 195	115	60	20	280	18	30	Max. 209	Min. 35	315	170	90	90	Max. 31	115	Max. 25	9	320	300	115	18	Max. 50	170	242	32	32	200	Max. 220	230	Max. 280	Max. 195
200	Max. 238	135	70	25	300	22	30	Max. 209	Min. 35	335	170	90	90	Max. 31	135	Max. 35	12	345	320	135	22	Max. 50	185	257	32	32	250	Max. 260	270	Max. 320	Max. 238
250	Max. 290	165	80	25	330	26	40	Max. 249	Min. 45	375	200	110	110	Max. 41	165	Max. 40	14.5	380	350	165	26	Max. 60	205	289	40	40	320	Max. 320	330	Max. 395	Max. 290

ISO/VDMA Cylinder: Large Bore Size Type
Double Acting, Single Rod Series C95

Dimensions: Piston Rod Mounting Accessory

[First angle projection]

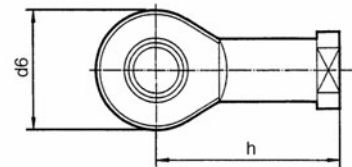
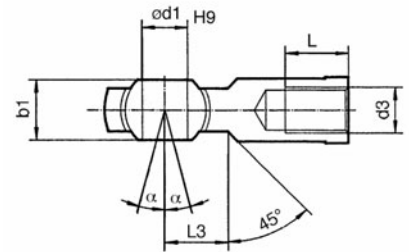
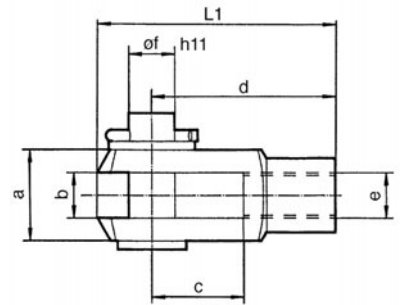
Piston Rod Clevis (ISO 8140)
Steel, Zinc Chromate Plated

Part no.	Bore size (mm)	e	b	d	øf h11	L1 max.	c min.	a max.	L min.
GKM30-54	125	M27 x 2	30 +0.60 +0.15	110	30	155	54	55	45
GKM35-54	160/200	M36 x 2	35 +0.60 +0.15	144	35	201	54*	70	57
GKM40-84	250	M42 x 2	40 +0.60 +0.15	168	40	245	84	85	77

* Dimension c for GKM35-54 is substandard of ISO 8140.
It is min.72 in ISO 8140 standard.

Piston Rod Ball Joint (ISO 8139)
Steel, Zinc Chromate Plated

Part no.	Bore size (mm)	d3	d1 H9	h	d6 max.	b1 h12	L min.	α	L3
KJ27D	125	M27 x 2	30	110	70	37	51	4°	36
KJ36D	160/200	M36 x 2	35	125	80	43	56	4°	41
KJ42D	250	M42 x 2	40	142	90	49	60	4°	46



- CJ1
- CJP
- CJ2
- CM2
- CG1
- MB
- MB1
- CA2
- CS1
- C76
- C85
- C95**
- CP95
- NCM
- NCA
- D-
- X
- 20-
- Data



Series C95

Auto Switch Specifications



Applicable Auto Switch

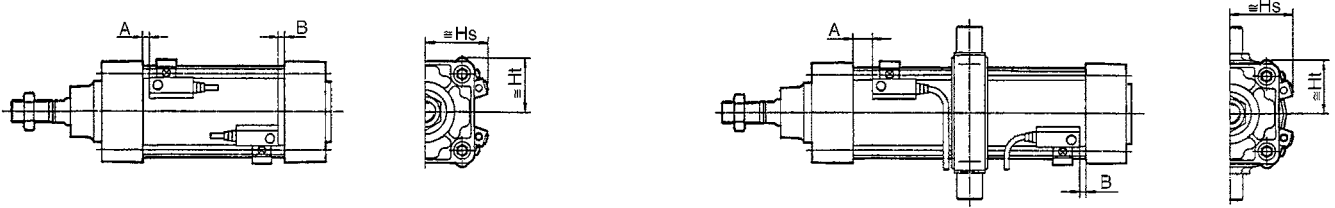
Type	Auto switch model	Electrical entry (Function)
Reed switch	D-A5□/A6□	Grommet
	D-A59W	Grommet (2-color indication)
	D-Z7□/Z80	Grommet
	D-A3□	Terminal conduit
	D-A44	DIN terminal
Solid state switch	D-F5□/J5□	Grommet
	D-F5□W/J59W	Grommet (2-color indication)
	D-F5BAL	Grommet (2-color indication, Water resistant)
	D-F59F	Grommet (2-color indication, Diagnostic output)
	D-F5NTL	Grommet (With timer)
	D-Y59□	Grommet (In-line)
	D-Y69□	Grommet (Perpendicular)
	D-Y7P	Grommet (In-line)
	D-Y7PV	Grommet (Perpendicular)
	D-Y7□W	Grommet (2-color indication, In-line)
	D-Y7□WV	Grommet (2-color indication, Perpendicular)
	D-Y7BAL	Grommet (Water resistant, In-line)
	D-G39/K39	Terminal conduit

Minimum Stroke for Auto Switch Mounting

Auto switch model	No. of auto switches	Support bracket except center trunnion				Center trunnion			
		ø125	ø160	ø200	ø250	ø125	ø160	ø200	ø250
A5□ A6□	1, 2	15	10	10	10	165	125	125	145
	n	15 + 55(n-2)/2 n = 2, 4, 6, 8...	10 + 55(n-2)/2 n = 2, 4, 6, 8...	←	←	165 + 55(n-4)/2 n = 4, 8, 12, 16...	125 + 55(n-4)/2 n = 4, 8, 12, 16...	125 + 55(n-4)/2 n = 4, 8, 12, 16...	145 + 55(n-4)/2 n = 4, 8, 12, 16...
A59W	2	20	←	←	←	175	135	135	155
	n	20 + 55(n-2)/2 n = 2, 4, 6, 8...	←	←	←	175 + 55(n-4)/2 n = 4, 8, 12, 16...	135 + 55(n-4)/2 n = 4, 8, 12, 16...	135 + 55(n-4)/2 n = 4, 8, 12, 16...	155 + 55(n-4)/2 n = 4, 8, 12, 16...
	1	20	15	15	15	175	135	135	155
F5□(W)/J5□/J59W F5BAL/F59F	1, 2	20	10	←	←	170	135	135	155
	n	20 + 55(n-2)/2 n = 2, 4, 6, 8...	10 + 55(n-2)/2 n = 2, 4, 6, 8...	←	←	175 + 55(n-4)/2 n = 4, 8, 12, 16...	135 + 55(n-4)/2 n = 4, 8, 12, 16...	135 + 55(n-4)/2 n = 4, 8, 12, 16...	155 + 55(n-4)/2 n = 4, 8, 12, 16...
F5NTL	1, 2	25	15	15	15	185	150	145	165
	n	25 + 55(n-2)/2 n = 2, 4, 6, 8...	15 + 55(n-2)/2 n = 2, 4, 6, 8...	←	←	185 + 55(n-4)/2 n = 4, 8, 12, 16...	150 + 55(n-4)/2 n = 4, 8, 12, 16...	145 + 55(n-4)/2 n = 4, 8, 12, 16...	165 + 55(n-4)/2 n = 4, 8, 12, 16...
A3□ K3□ G3□	1	10	10	10	—	130	140	140	—
	2 (Same side)	100	100	100	—	130	140	140	—
	2 (Different sides)	35	35	35	—	130	140	140	—
	n (Same side)	100 + 100(n-2) n = 2, 3, 4, 5...	←	←	—	130 + 100(n-2) n = 2, 4, 6, 8...	140 + 100(n-2) n = 2, 4, 6, 8...	140 + 100(n-2) n = 2, 4, 6, 8...	—
A44	n (Different sides)	35 + 30(n-2) n = 2, 3, 4, 5...	←	←	—	130 + 100(n-2) n = 2, 4, 6, 8...	140 + 100(n-2) n = 2, 4, 6, 8...	140 + 100(n-2) n = 2, 4, 6, 8...	—
	1	10	10	10	—	135	100	100	—
Z7□/Z80	2 (Same side)	55	55	55	—	135	100	100	—
	2 (Different sides)	35	35	35	—	135	100	100	—
	n (Same side)	55 + 55(n-2) n = 2, 3, 4, 5...	←	←	—	135 + 100(n-2) n = 2, 4, 6, 8...	100 + 100(n-2) n = 2, 4, 6, 8...	100 + 100(n-2) n = 2, 4, 6, 8...	—
	n (Different sides)	35 + 30(n-2) n = 2, 3, 4, 5...	←	←	—	135 + 100(n-2) n = 2, 4, 6, 8...	100 + 100(n-2) n = 2, 4, 6, 8...	100 + 100(n-2) n = 2, 4, 6, 8...	—
Y59□/Y7P Y7□W	1, 2	10	10	10	—	150	110	110	—
	n	10 + 40(n-2)/2 n = 2, 4, 6, 8...	←	←	—	150 + 55(n-4)/2 n = 4, 8, 12, 16...	110 + 55(n-4)/2 n = 4, 8, 12, 16...	110 + 55(n-4)/2 n = 4, 8, 12, 16...	—
Y69□/Y7PV Y7□WV	1, 2	10	10	10	—	120	85	80	—
	n	10 + 30(n-2)/2 n = 2, 4, 6, 8...	←	←	—	120 + 55(n-4)/2 n = 4, 8, 12, 16...	85 + 55(n-4)/2 n = 4, 8, 12, 16...	80 + 55(n-4)/2 n = 4, 8, 12, 16...	—
Y7BAL	1, 2	15	10	10	—	160	120	120	—
	n	10 + 45(n-2)/2 n = 2, 4, 6, 8...	←	←	—	160 + 55(n-4)/2 n = 4, 8, 12, 16...	120 + 55(n-4)/2 n = 4, 8, 12, 16...	120 + 55(n-4)/2 n = 4, 8, 12, 16...	—

Auto Switch Mounting Position and Mounting Height

[First angle projection]



Auto Switch Mounting Position

Bore size (mm)	D-A5□ D-A6□		D-A59W		D-F5□, D-F5□W D-J5□, D-J59W D-F59F, D-F5BAL		D-F5NTL		D-Z7□, D-Y59□, D-Y7BAL D-Z80, D-Y69□ D-Y7P(V), D-Y7□W(V)		D-A3□, D-G39 D-A44, D-K39	
	A	B	A	B	A	B	A	B	A	B	A	B
125	45.5	6.5	49.5	10.5	52	13	57	18	49	10	45.5	6.5
160	19.5	18.5	23.5	22.5	26	25	31	30	23	22	19.5	18.5
200	17	17	21	21	23.5	23.5	28.5	28.5	20.5	20.5	17	17
250	20	30	24	34	26.5	36.5	31.5	41.5	—	—	—	—

Auto Switch Mounting Height

Bore size (mm)	D-A5□ D-A6□ D-A59W		D-F5□, D-F5□W, D-F5NTL D-J5□, D-J59W D-F59F, D-F5BAL		D-A3□, D-G39 D-K39		D-A44		D-Z7□, D-Y59□ D-Z80, D-Y7P D-Y7□W		D-Y69□ D-Y7PV D-Y7□WV		D-Y7BAL	
	Hs	Ht	Hs	Ht	Hs	Ht	Hs	Ht	Hs	Ht	Hs	Ht	Hs	Ht
125	71.5	66.5	70.5	66.5	116	—	126	—	67.5	65	68.5	65	72	65
160	90	86	89	86	134.5	—	144.5	—	84.5	83	84.5	83	89.5	83
200	102.5	104	102	104	154	—	164	—	100.5	100.5	100.5	100.5	103	100.5
250	127	128	127	128	—	—	—	—	—	—	—	—	—	—

Switch Hysteresis

Bore size (mm)	ON-OFF switch hysteresis	
	Reed switch	Solid state switch
125 to 200	≤ 2 mm	≤ 1 mm
250	≤ 3 mm	≤ 1 mm

Other than the applicable auto switches listed in "How to Order", the following auto switches can be mounted. For detailed specifications, refer to page 6-16-1.

Type	Model	Electrical entry	Features
Solid state switch	D-F5NTL	Grommet (In-line)	With timer
	D-Y69A/Y69B/Y7PV	Grommet (Perpendicular)	—
	D-Y7NWV/Y7PWV/Y7BWV		2-color indication

- * With pre-wire connector is available for solid state auto switches. For details, refer to page 6-16-60.
- * Normally closed (NC = b contact), solid state switch (D-Y7G/Y7H type) are also available. For details, refer to page 6-16-39.

CJ1

CJP

CJ2

CM2

CG1

MB

MB1

CA2

CS1

C76

C85

C95

CP95

NCM

NCA

D-

-X

20-

Data



Series C95

Specific Product Precautions

Be sure to read before handling.

Adjustment

Warning

1. Do not open the cushion valve above the stopper.

Cushion valves are provided with a retaining ring (ϕ 125 to ϕ 250) as a stopping mechanism, and the cushion valve should not be opened above that point.

If air is supplied and operation started without confirming the above condition, the cushion valve may be ejected from the cover.

Bore size (mm)	Cushion valve	Width across flats	Socket wrench
125, 160, 200, 250	MB-A2-10-EA064	4	JIS 4648 Hex spanner wrench 4

2. Be certain to activate the air cushion at the stroke end.

When it is intended to use the cushion valve in the fully opened position, select a style with a damper. If this is not done, the tie-rods or piston rod assembly will be damaged.

3. When replacing brackets, use the hexagon wrench shown below.

Bore size (mm)	Bolt	Width across flats	Tightening torque (Nm)
125	M12 x 1.75 x 25 ℓ	10	30.1
160, 200	M16 x 2 x 30 ℓ	14	99
250	Foot	M20 x 2.5 x 35 ℓ	193.5
	Others	M20 x 2.5 x 30 ℓ	