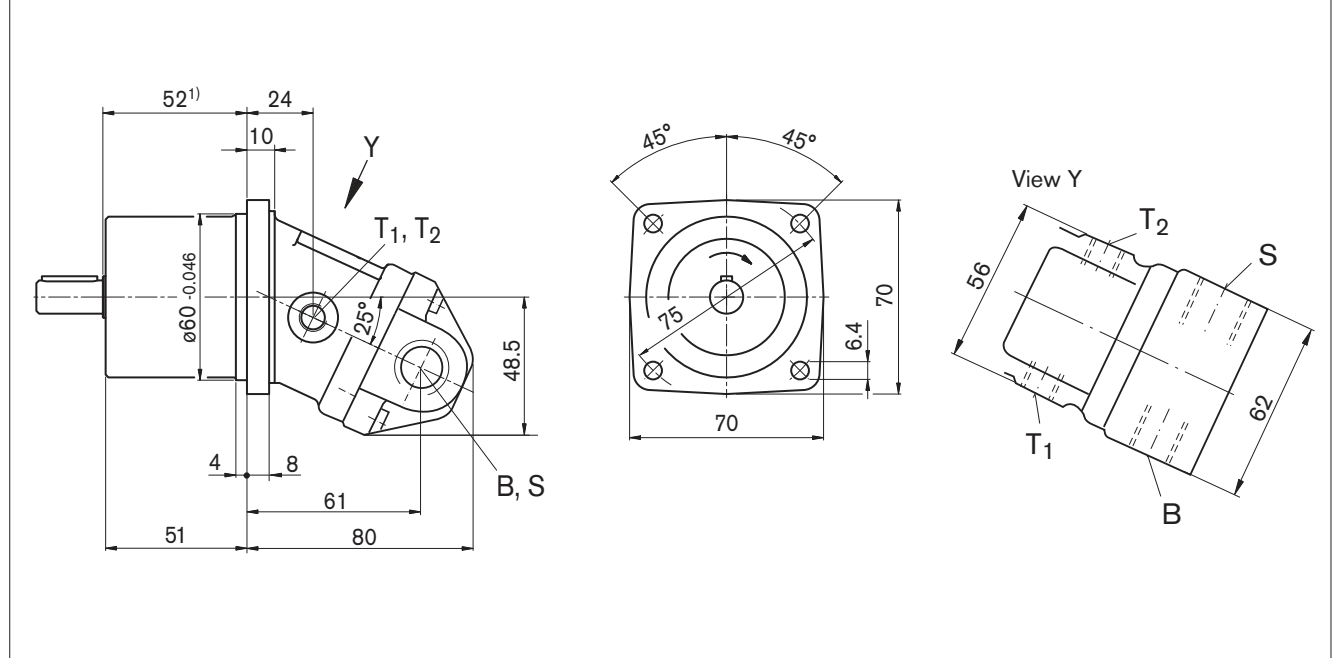


# Dimensions size 5

Before finalizing your design, request a binding installation drawing. Dimensions in mm.

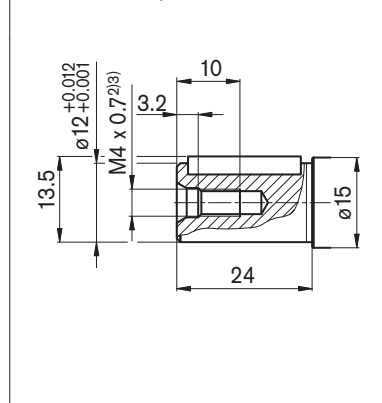
## Port plate 07 – Threaded ports A/B and S at side

Illustration: cw direction of rotation (on version "ccw direction of rotation" the port plate is rotated through 180°)

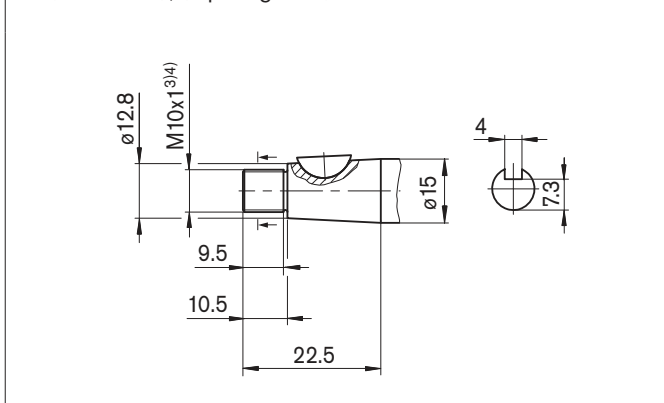


## Drive shafts

**B** Parallel keyed shaft  
DIN 6885, A4x4x20



**C** Conical shaft with threaded pin and woodruff key, 3x5  
(DIN 6888), (tapering 1:10)



## Ports

Designation	Port for	Standard <sup>6)</sup>	Size <sup>3)</sup>	Maximum pressure [bar] <sup>5)</sup>	State <sup>7)</sup>
B (A)	Service line	DIN 3852	M18 x 1.5; 12 deep	350	O
S	Suction line	DIN 3852	M22 x 1.5; 14 deep	30	O
T <sub>1</sub>	Drain line	DIN 3852	M10 x 1; 8 deep	3	O
T <sub>2</sub>	Drain line	DIN 3852	M10 x 1; 8 deep	3	O

1) To shaft collar

2) Center bore according to DIN 332 (thread according to DIN 13)

3) Observe the general instructions on page 34 for the maximum tightening torques.

4) Thread according to DIN 3852, maximum tightening torque: 30 Nm

5) Momentary pressure spikes may occur depending on the application. Keep this in mind when selecting measuring devices and fittings.

6) The spot face can be deeper than specified in the appropriate standard.

7) O = Must be connected (plugged on delivery)