

Special cavities

1/12

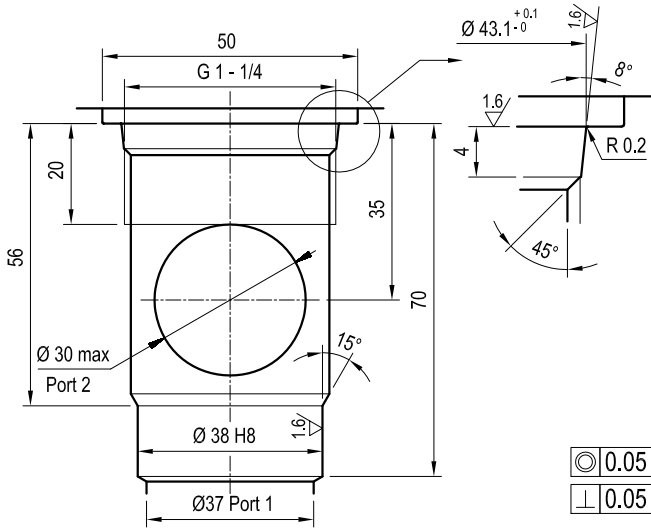
RE 18325-75/05.16
Replaces: RE 18325-75/03.16

004 - 008 - 009 - 065 - 308 - 348 - 690
730 - 730-A - 808 - 869 - 870 - 871 - 924
CA-07A-3N - CA-04A-3Y - CA-04A-2N - CA-16A-5C -
CA-20B-6C - 017-E - 019-E - 021-E - 076-E - 081-E - FB
FC - LG - CA-10A-5N - HYDAC 06020

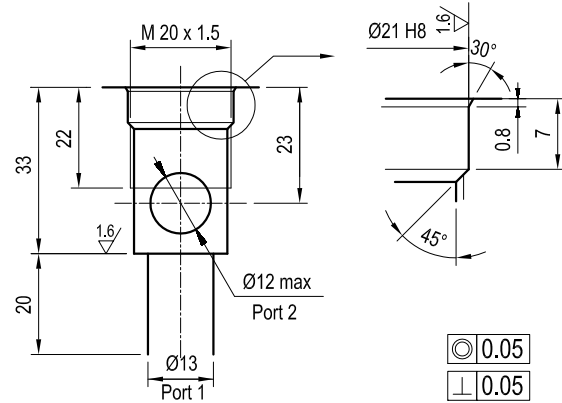
Summary

Description	Page	Description	Page
Cavity 004	2	Cavity 924	4
Cavity 008	2	Cavity CA-07A-3N	4
Cavity 009	2	Cavity CA-04A-3Y	4
Cavity 065	2	Cavity CA-04A-2N	4
Cavity 348	2	Cavity 308	4
Cavity 690	2	Cavity CA-20B-6C	5
Cavity 730	3	Cavity 017-E	6
Cavity 730-A	3	Cavity 019-E	6
Cavity 808	3	Cavity 021-E	6
Cavity 869	3	Cavity 076-E	6
Cavity 870	3	Cavity 081-E	6
Cavity 871	3	Cavity CA-16A-5C	7
		Cavity FB	8
		Cavity FC	9
		Cavity LG	10
		Cavity CA-10A-5N	11
		Cavity Hydac 06020	12

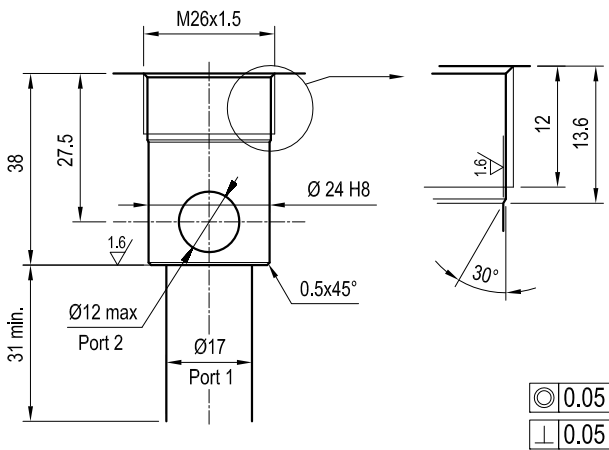
Special cavity 004



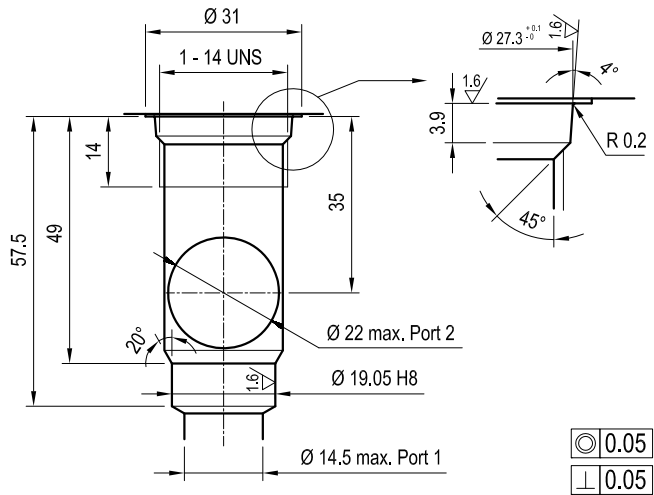
Special cavity 008



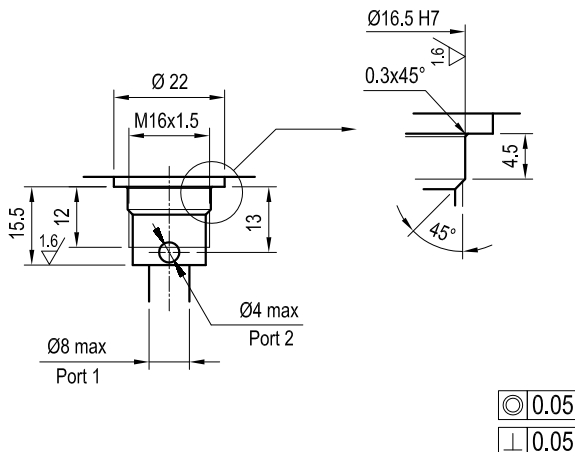
Special cavity 009



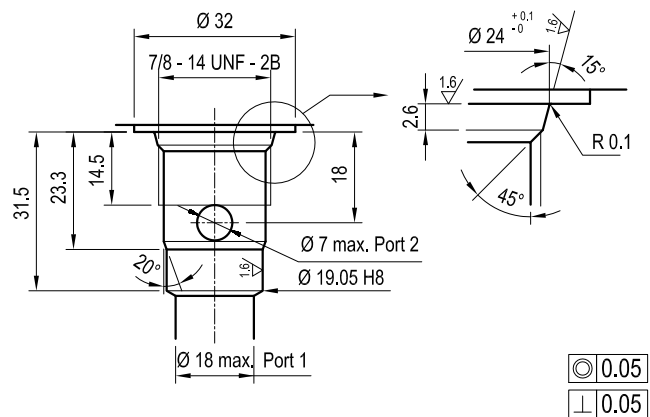
Special cavity 065



Special cavity 348



Special cavity 690

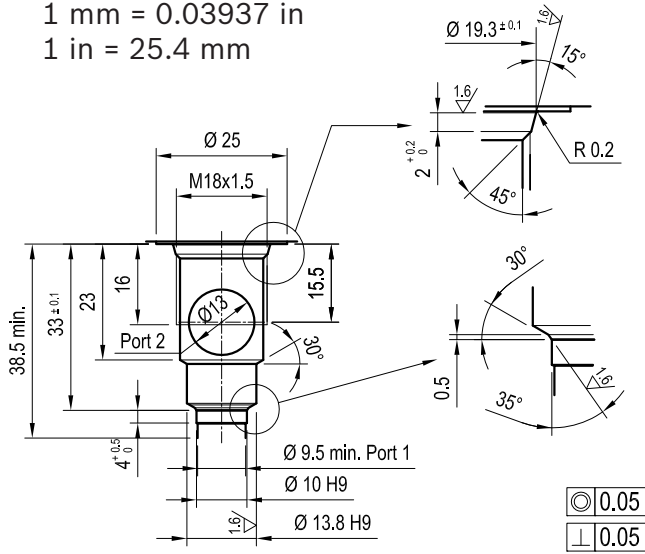


1 mm = 0.03937 in
1 in = 25.4 mm

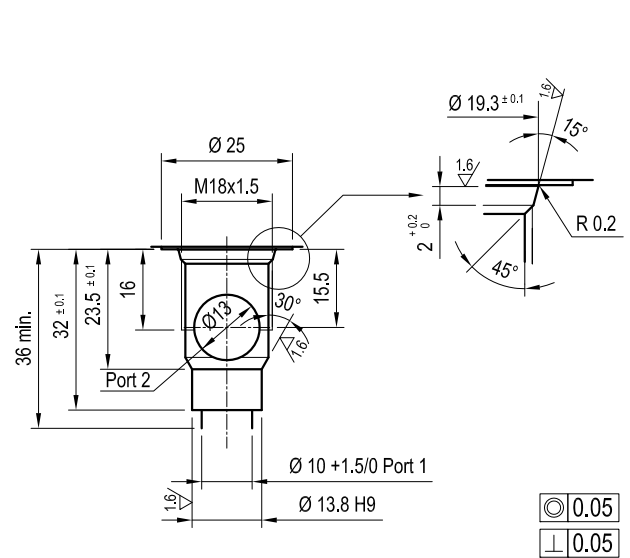
Note: For further details please consult factory

Special cavity 730

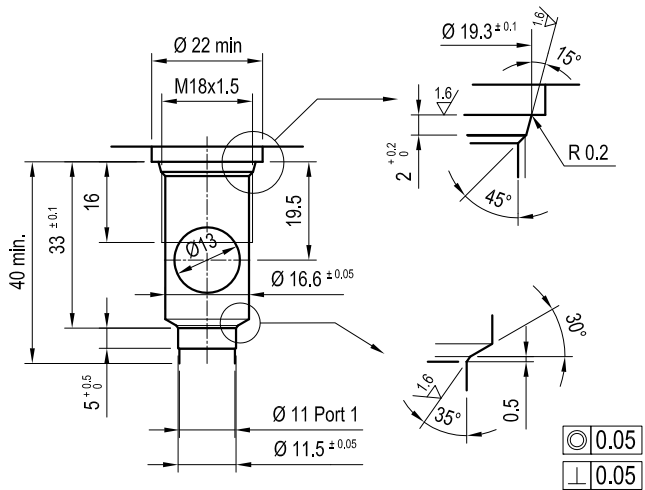
1 mm = 0.03937 in
1 in = 25.4 mm



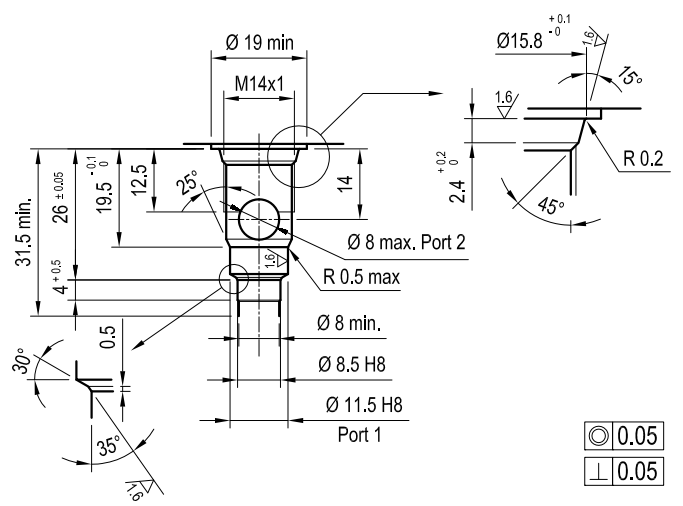
Special cavity 730-A



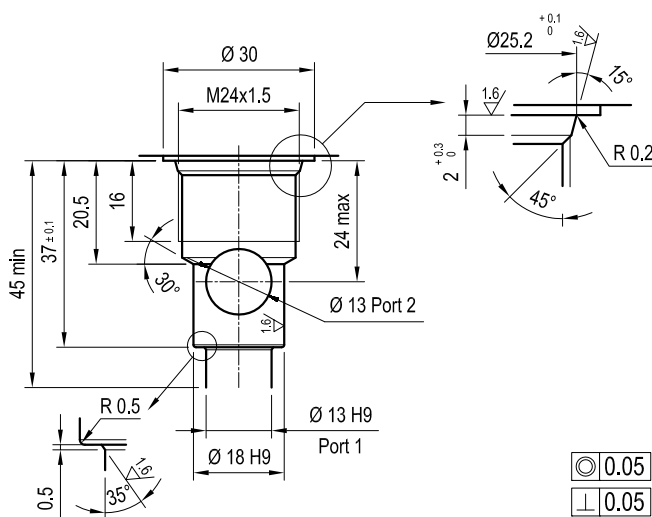
Special cavity 808



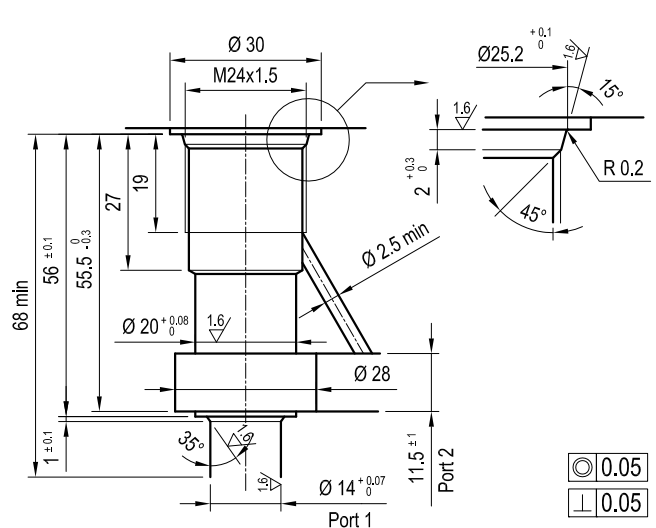
Special cavity 869



Special cavity 870

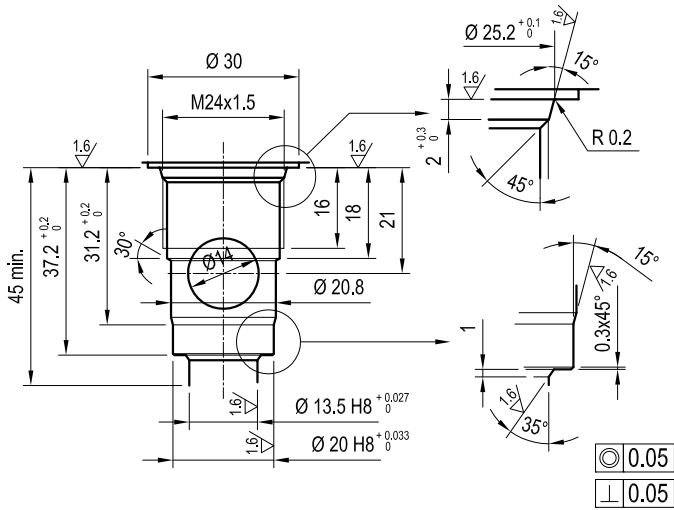


Special cavity 871

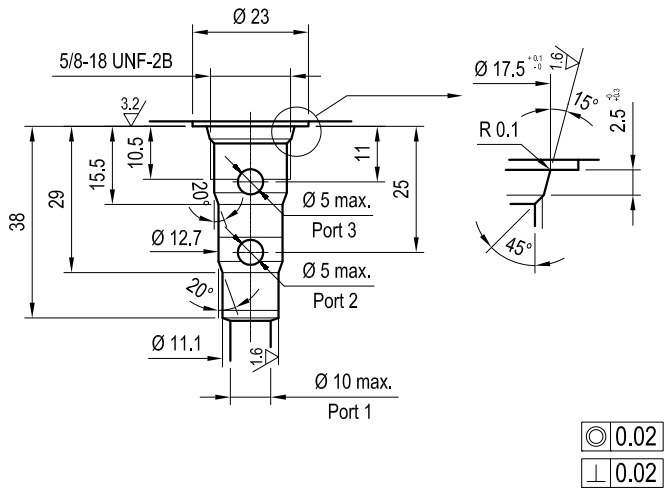


Note: For further details please consult factory

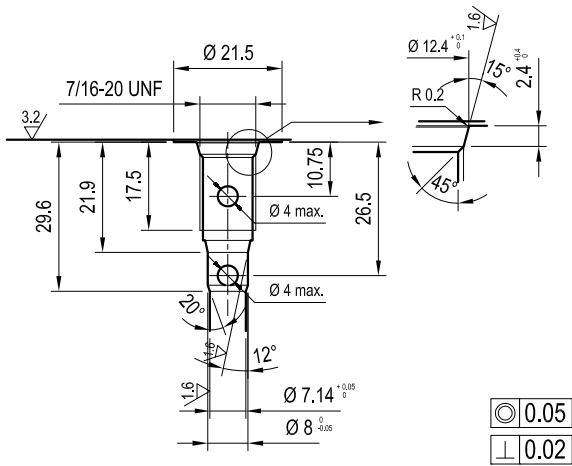
Special cavity 924



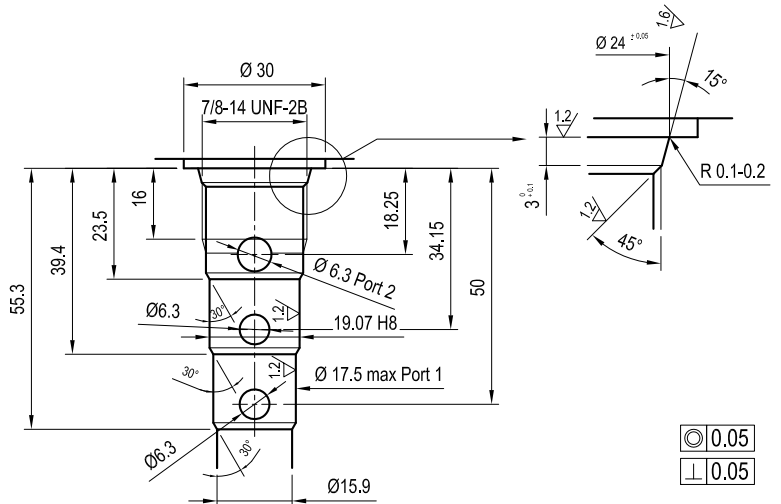
Special cavity CA-07A-3N



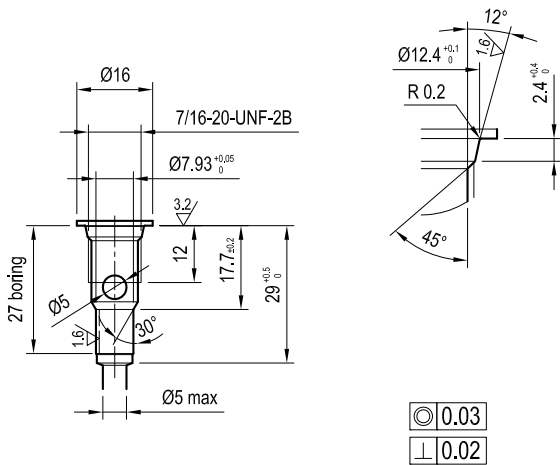
Special cavity CA-04A-3Y



Special cavity 308



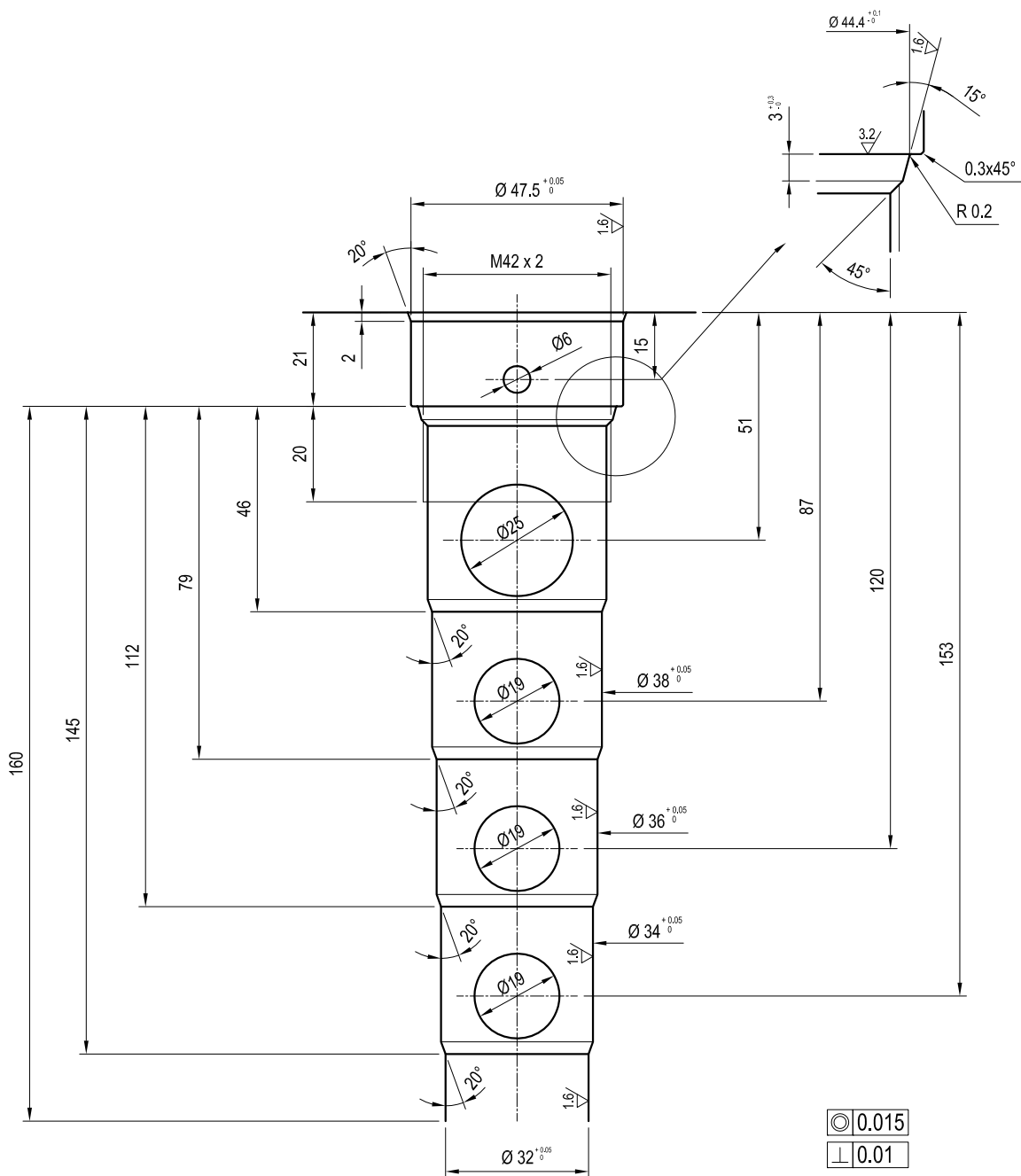
Special cavity CA-04A-2N



Note: For further details please consult factory

1 mm = 0.03937 in
1 in = 25.4 mm

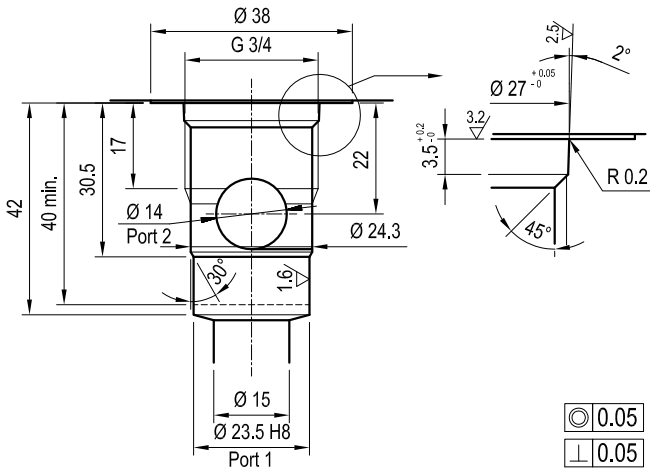
Special cavity CA-20B-6C



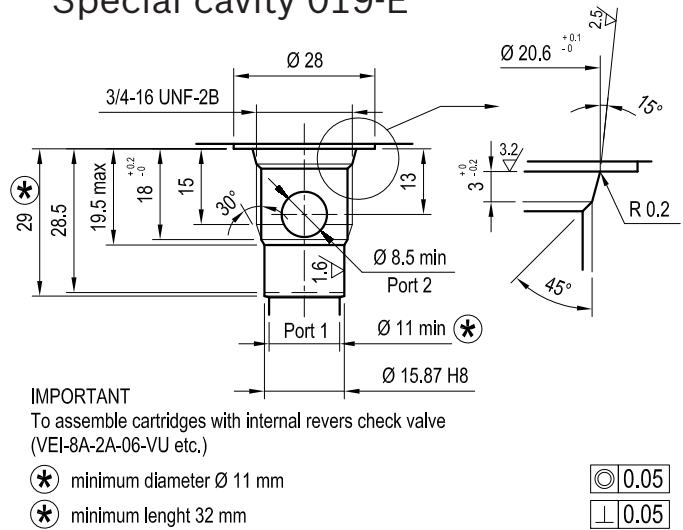
Note: For further details please consult factory

1 mm = 0.03937 in
 1 in = 25.4 mm

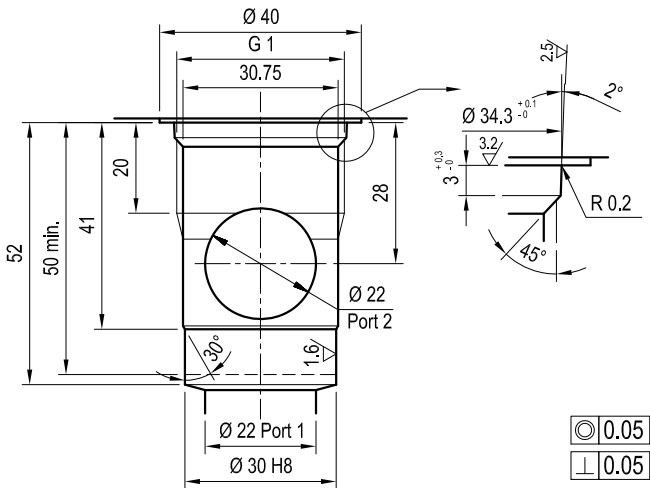
Special cavity 017-E



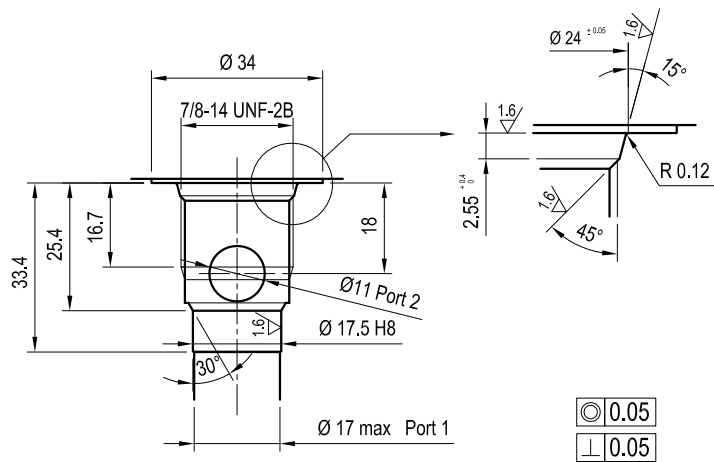
Special cavity 019-E



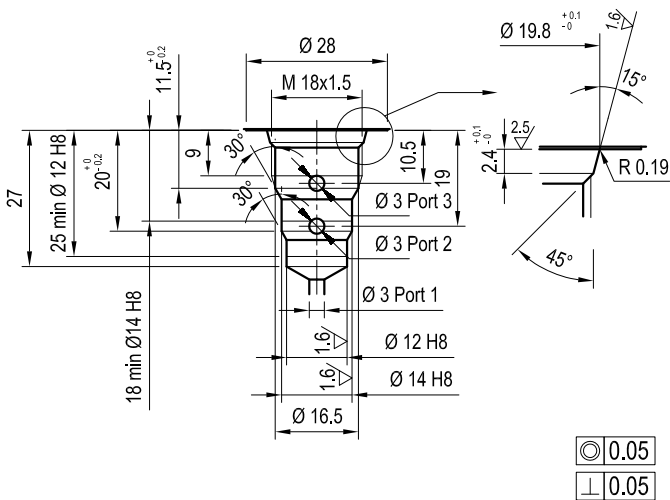
Special cavity 021-E



Special cavity 076-E



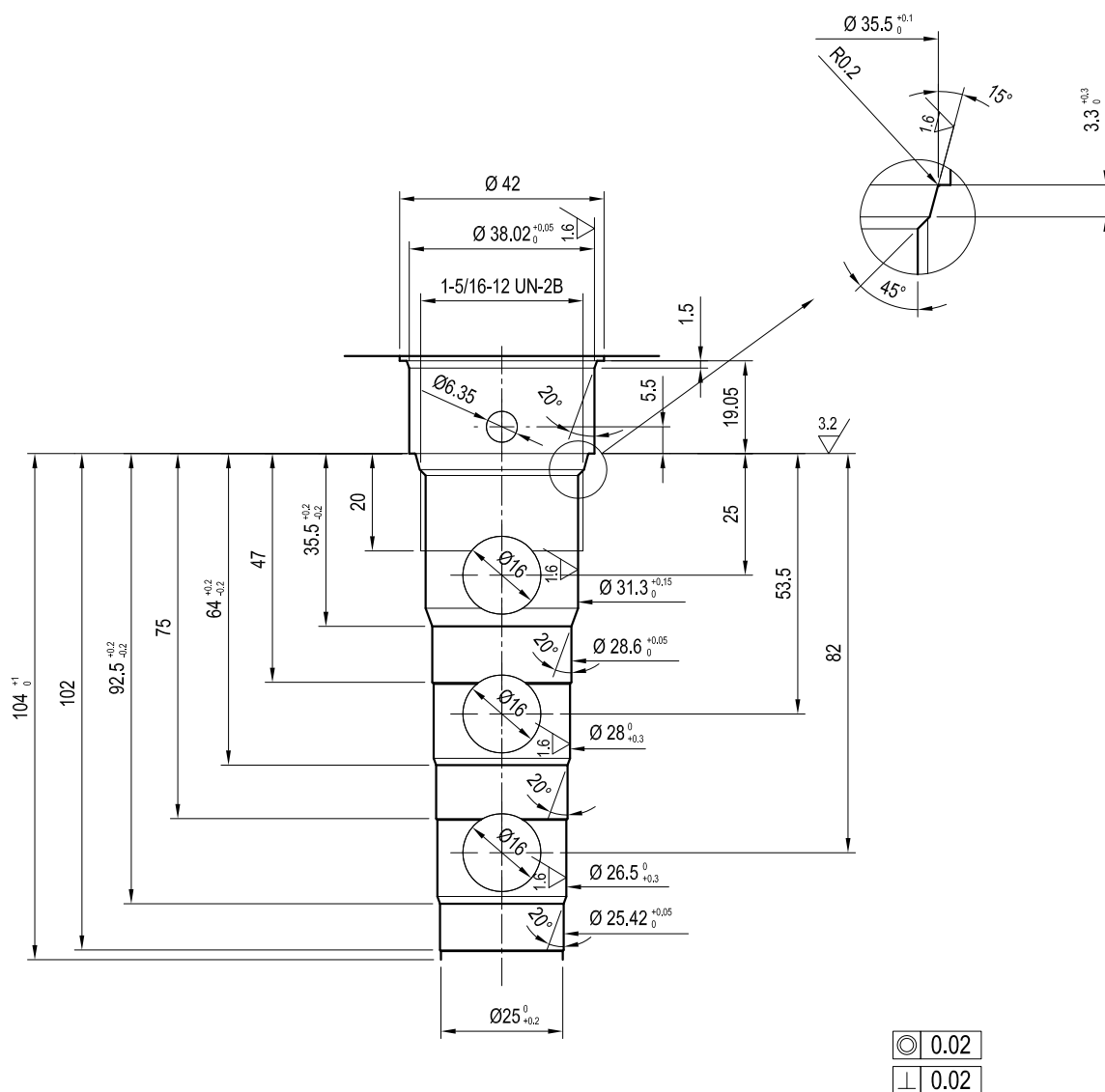
Special cavity 081-E



1 mm = 0.03937 in
1 in = 25.4 mm

Note: For further details please consult factory

Special cavity CA-16A-5C

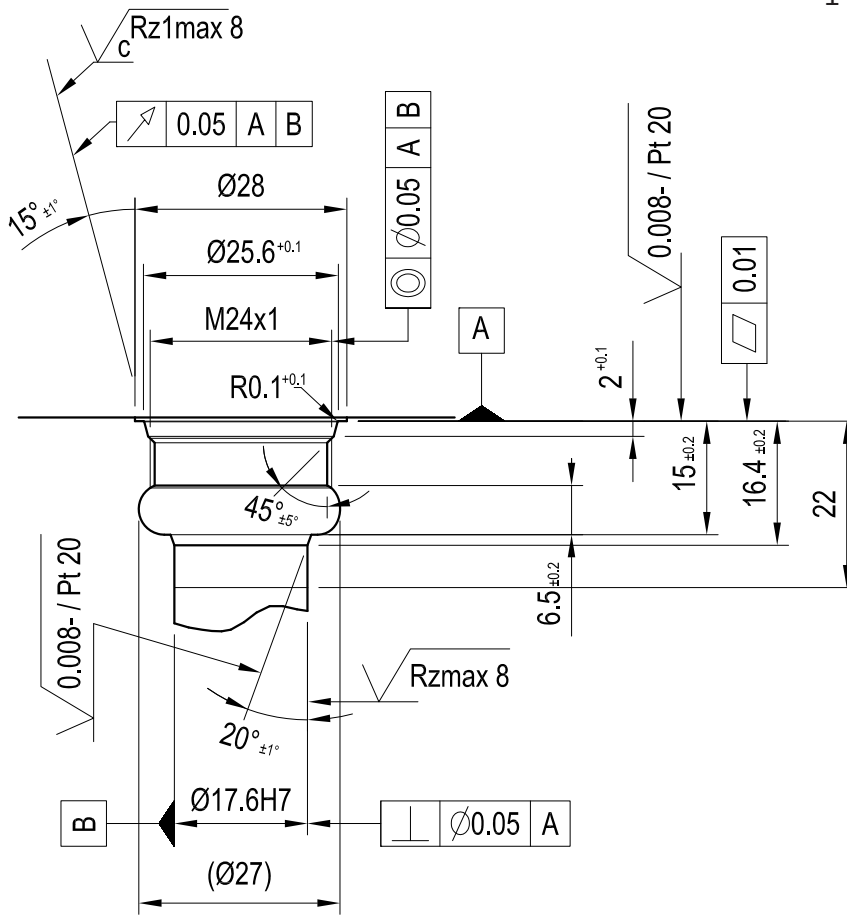


1 mm = 0.03937 in
 1 in = 25.4 mm

Note: For further details please consult factory

Special cavity FB

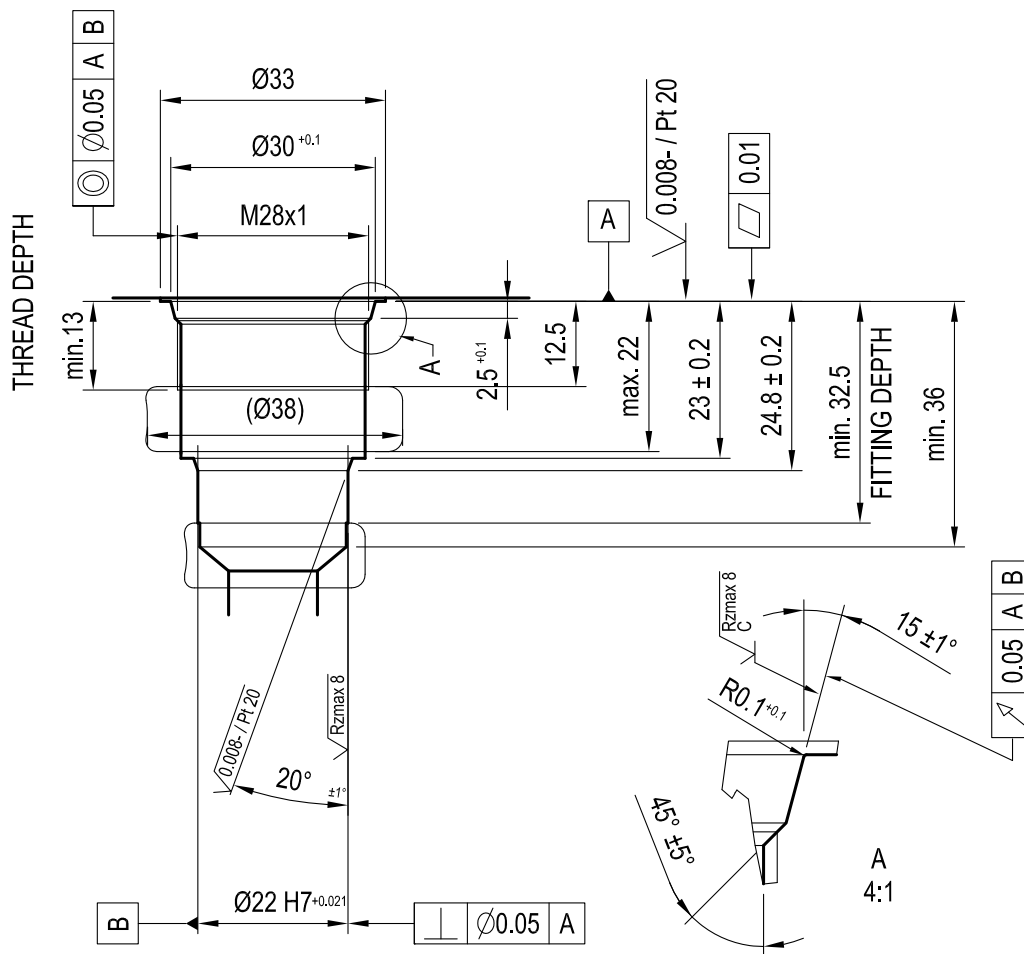
1 mm = 0.03937 in
 1 in = 25.4 mm



Note: For further details please consult factory

Special cavity FC

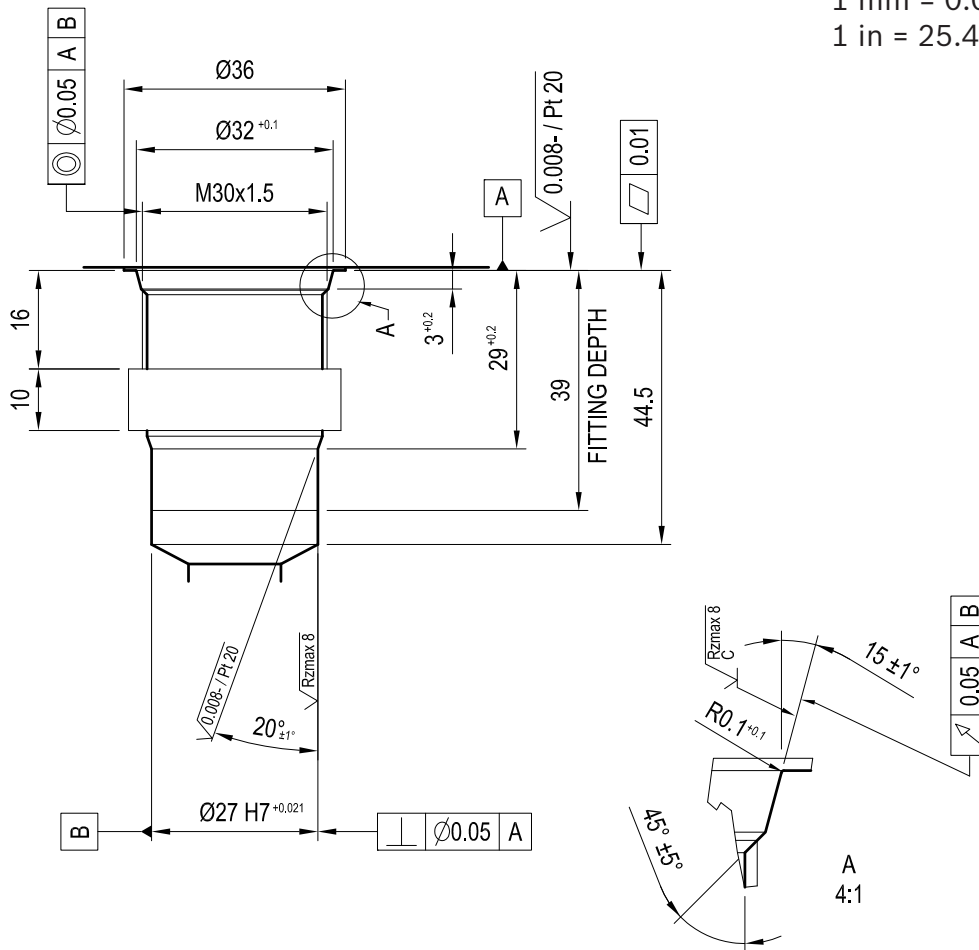
1 mm = 0.03937 in
 1 in = 25.4 mm



Note: For further details please consult factory

Special cavity LG

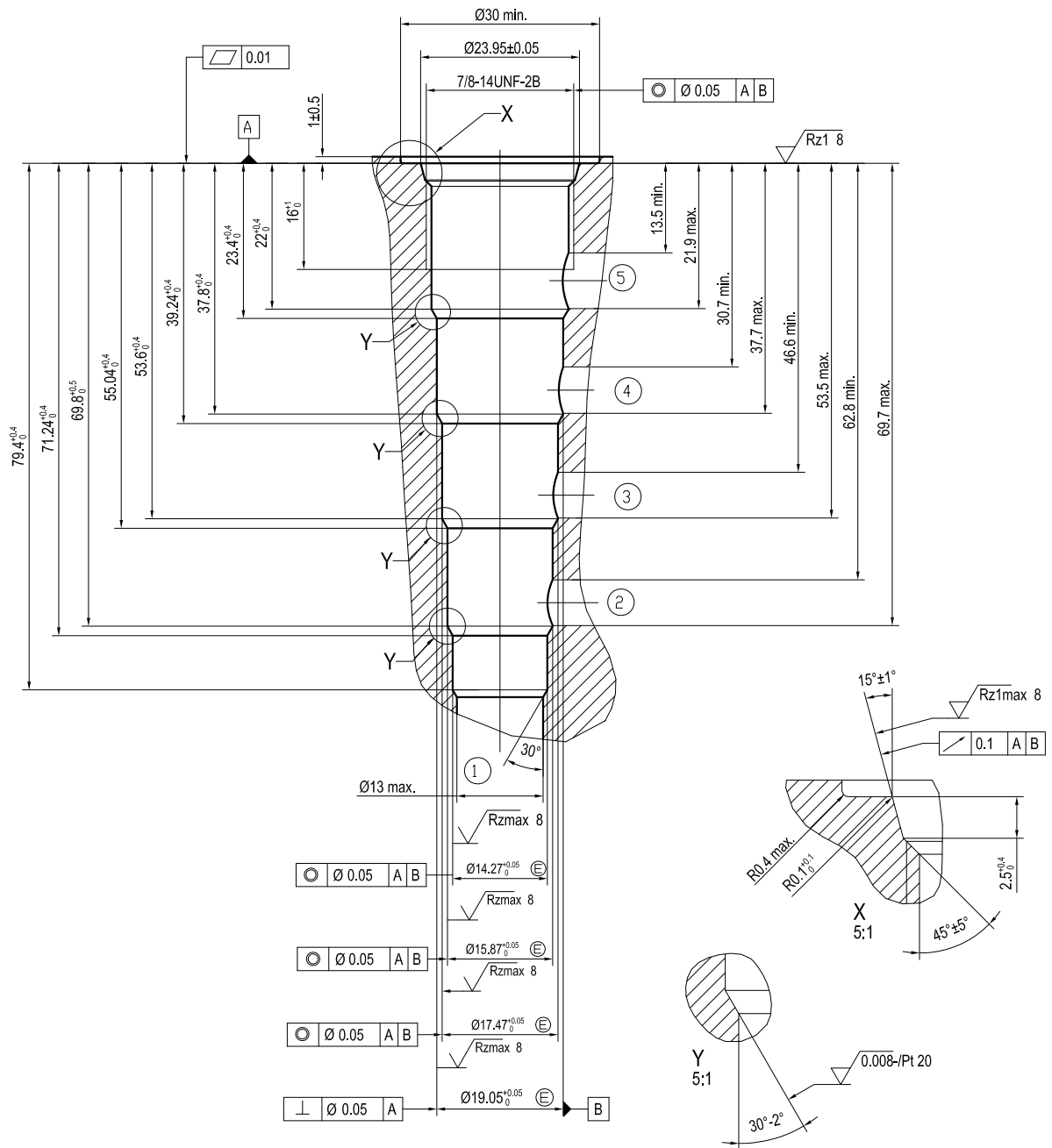
1 mm = 0.03937 in
 1 in = 25.4 mm



Note: For further details please consult factory

Special cavity CA-10A-5N (R/UNF-10-05-0-08)

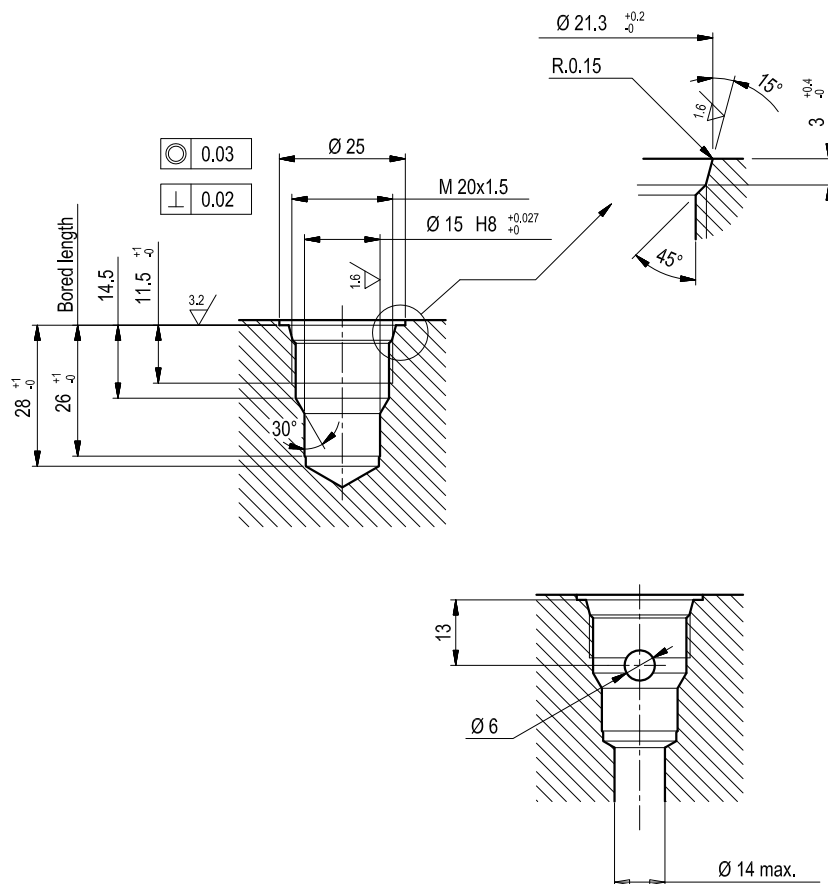
1 mm = 0.03937 in
 1 in = 25.4 mm



Note: For further details please consult factory

Special cavity Hydac 06020

1 mm = 0.03937 in
1 in = 25.4 mm



Note: For further details please consult factory