

Line pump

LP

TERAL

50Hz



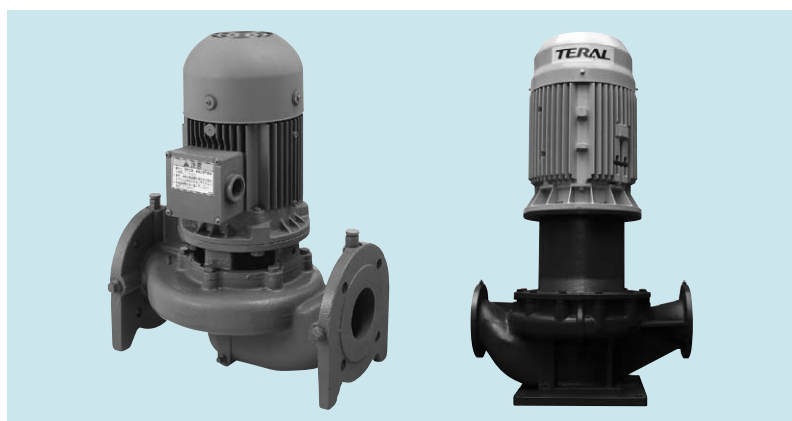
TERAL INC.

Uses

- Circulation of cold/warm water
- Setting of various machines
- General water supply
- Pressurization of tap water
- Pressurization of industrial water

Features

- ① Installable in the middle of piping, and does not require large installation space.
- ② Compact, lightweight, and easy-to-handle because disassembly and inspection can be performed with piping as is.
- ③ No liquid leakage through the adoption of mechanical seal.
- ④ Usable for high-temperature and high-pressure water, and suitable as a circulating pump of cold/warm water.
- ⑤ Easy maintenance (bore 125 – 200)
No need to disassemble the pump and remove the motor when replacing the mechanical seal.
- ⑥ Capable of high back pressure spec (bore 125 – 200)
Allowable push-in pressure up to 1.6MPa supported by simple and highly-rigid structure based on rational design.
- ⑦ Space-saving (bore 125 – 200)
Installable in places where horizontal pumps would be hard to install as the installation area is approx. 50% compared with our SJ4 and SKJ models of horizontal pumps having comparable output.
- ⑧ Low vibration and low level of noise (bore 125 – 200)
Realizes low vibration and low level of noise by optimum design based on three-dimensional in-pump flow analysis and structural analysis.



* Keep in mind that some of the devices in the photo may differ from actual devices in coating color, etc.

Model type description

LP 25 A 5 .04 S

① ② ③ ④ ⑤ ⑥

- ① Model
- ② Nominal diameter (25mm)
- ③ Type
- ④ Frequency (50Hz)
- ⑤ Output (40W)
- ⑥ Phase (S: Single-phase, None: Three-phase)

LP 150 K - 5 1 1 H

① ② ③ ④ ⑤ ⑥

- ① Model
- ② Nominal diameter (150mm)
- ③ Type
- ④ Frequency (50Hz)
- ⑤ Output (11kW)
- ⑥ High back pressure spec (H)
None: Standard spec

Standard specifications

● Bore 25 – 100

Pumping liquid	Liquid quality	Fresh water
	Liquid temperature	0 – 90°C (150W or less) 0 – 80°C (0.25kW or more) ※1
Total suction head	-6m (20°C) For use with the total head 10m or less, take 60% or less of the total head.	
Allowable push-in pressure	See the specifications table.	
Structure	Impeller	Closed
	Shaft seal	Mechanical seal
	Bearing	Sealed ball bearing
Material ※2	Impeller	CAC406 ※3
	Shaft	SUS304 (three-phase). See the table below. SUS304 (single-phase, 250W, 400W)
	Casing	FC200
Motor	Type	Single-phase: Drip-proof protected type
		Three-phase: Drip-proof protected type (0.15kW or less) Totally-enclosed-self-cooled outdoor type (0.25kW) Totally-enclosed-fan-cooled outdoor type (0.4kW or more)
		Power supply
	Synchronous rotation speed	3000min ⁻¹
Connection	Special companion flange for 25mm in nominal diameter JIS 10K low-profile companion flange for others	
Coating color	7.5BG5/1.5	

※1 For 80°C or more, contact us separately.

※2 Materials for 25mm in nominal diameter are as shown below.

Phase and voltage	Output W	Impeller material ※3	Shaft material	Casing
Single-phase, 100V	40.50	SUS304	SUS430	FC150
	80	PPS resin		
	150	NORYL resin	SUS303	
	250	SUS304	SUS304	FC200
Three-phase, 200V	80	PPS resin	SUS430	FC150
	250	SUS304	SUS304	FC200

※3 The impeller material for 32mm in nominal diameter (A-type) is PPS (polyphenylene sulfide resin).

● Bore 125 – 200

		Standard spec	High back pressure spec
Pumping liquid	Liquid quality	Fresh water (brine supported as custom-made)	
	Liquid temperature	0 – 80°C	
Total suction head	-6m (20°C) For use with the total head 10m or less, take 60% or less of the total head.		
Allowable push-in pressure	1.37 [MPa] – Shutoff total head [m]/102		1.6MPa
Structure	Impeller	Closed	
	Shaft seal	Mechanical seal SiC - carbon	
	Bearing	Sealed ball bearing (angular contact ball bearing only on the load side of 75kW)	
Material	Impeller	CAC406	
	Shaft	SUS420J2	
	Casing	FCD450	
Motor	Type	Totally-enclosed-fan-cooled outdoor type	
	Power supply	37kW or less, 200V 45kW or more, 200/400V	
	Synchronous rotation speed	1500min ⁻¹	
Flange spec	JIS 10K (normal)	JIS20K	

* For use of brine, contact our Sales Office as it depends on liquid quality.

Standard accessories

● Bore 25

Companion flange (bolt, nut, and packing included)2 sets

● Bore 125 – 200

Base plate, packing, and coupling cover2 sets

Special specifications

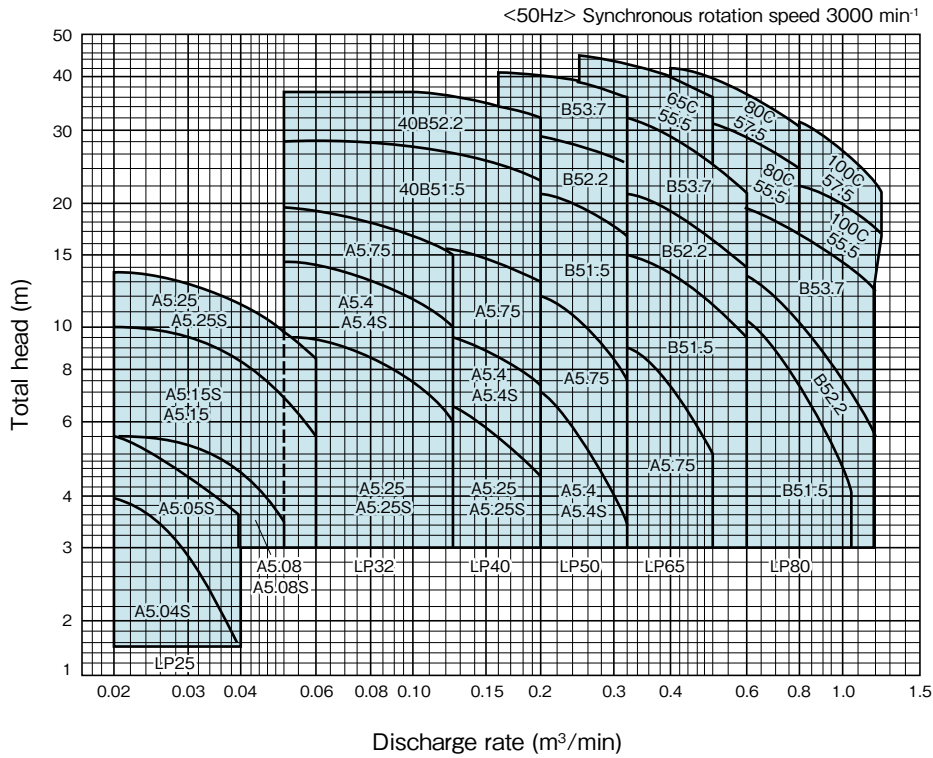
Motor change Voltage change, high efficiency (bore 125 – 200 only)

Special accessories

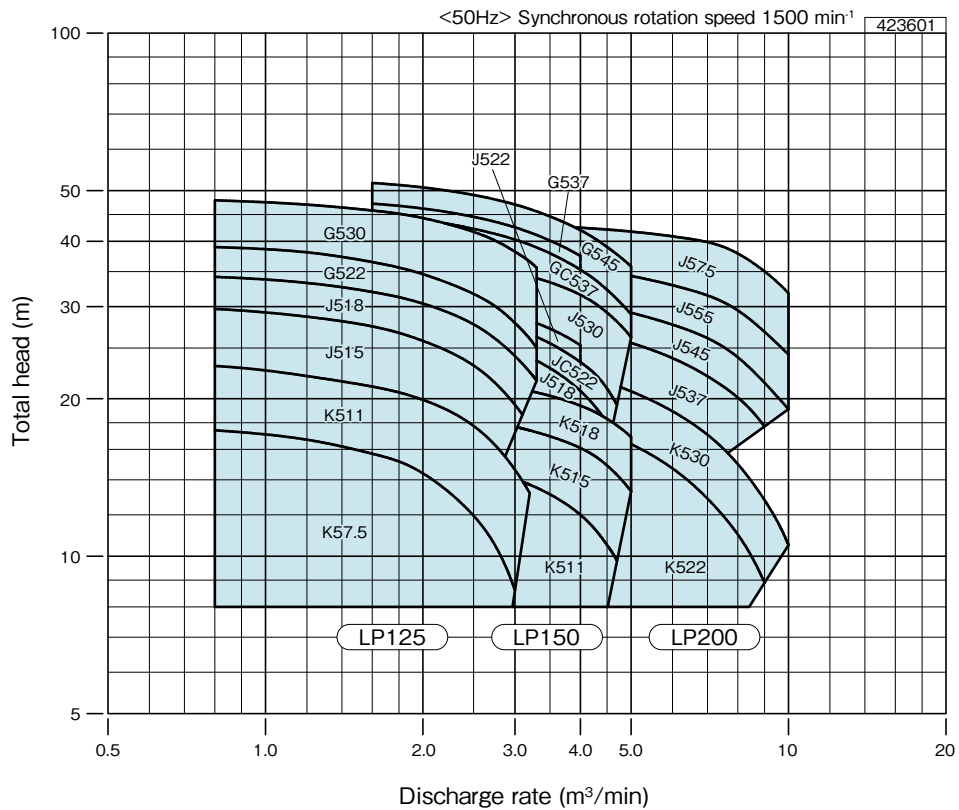
Companion flange ... Packing, bolt, and nut included (except for 25mm bore), sluice valve, check valve, pressure gauge, vacuum gauge, compound gauge, foot valve, welded flange, anti-vibration mount

Performance drawing

● Bore 25 – 100



● Bore 125 – 200



Specifications table

Phase	Nominal diameter mm	Model	Output W	Specifications						Allowable push-in pressure MPa
				Discharge rate m ³ /min	Total head m	Discharge rate m ³ /min	Total head m	Discharge rate m ³ /min	Total head m	
Single-phase	25	LP25A5.04S	40	0.02	4	0.03	3	0.04	1.5	0.1
		LP25A5.05S	50	0.02	5.5	0.03	4.5	0.04	3.5	0.1
		LP25A5.08S	80	0.02	5.5	0.035	5	0.05	3.5	0.1
		LP25A5.15S	150	0.025	9.5	0.05	7	0.07	4.5	0.2
		LP25A5.25S	250	0.02	13.5	0.04	11.5	0.06	8.5	0.2
	32	LP32A5.25S	250	0.05	9.5	0.09	8	0.125	6	0.39
		LP32A5.4S	400	0.05	14.2	0.09	12.5	0.125	10.5	0.39
	40	LP40A5.25S	250	0.10	7	0.16	5.5	0.20	4.5	0.39
		LP40A5.4S	400	0.10	10	0.16	8.5	0.20	7.5	0.39
	50	LP50A5.4S	400	0.16	8	0.25	5.5	0.32	3.5	0.39

Phase	Nominal diameter mm	Model	Output kW	Specifications						Allowable push-in pressure MPa
				Discharge rate m ³ /min	Total head m	Discharge rate m ³ /min	Total head m	Discharge rate m ³ /min	Total head m	
Three-phase	25	LP25A5.08	0.08	0.02	5.5	0.035	5	0.05	3.5	0.1
		LP25A5.15	0.15	0.025	9.5	0.05	7	0.07	4.5	0.2
		LP25A5.25	0.25	0.02	13.5	0.04	11.5	0.06	8.5	0.2
	32	LP32A5.25	0.25	0.05	9.5	0.09	8	0.125	6	0.39
		LP32A5.4	0.4	0.05	14.2	0.09	12.5	0.125	10.5	0.39
		LP32A5.75	0.75	0.05	19	0.09	17	0.125	15	0.39
	40	LP40A5.25	0.25	0.10	7	0.16	5.5	0.20	4.5	0.39
		LP40A5.4	0.4	0.10	10	0.16	8.5	0.20	7.5	0.39
		LP40A5.75	0.75	0.10	16	0.16	14	0.20	13	0.39
		LP40B51.5	1.5	0.05	28	0.10	27	0.20	23	0.59
	50	LP40B52.2	2.2	0.05	37	0.10	36.5	0.20	32.5	0.59
		LP50A5.4	0.4	0.16	8	0.25	5.5	0.32	3.5	0.39
		LP50A5.75	0.75	0.16	13	0.25	10.5	0.32	7.5	0.39
		LP50B5.15	1.5	0.16	21	0.25	19.5	0.32	17	0.59
		LP50B52.2	2.2	0.16	29.5	0.25	27	0.32	24.5	0.59
	65	LP50B53.7	3.7	0.16	41	0.25	39	0.32	36.5	0.54
		LP65A5.75	0.75	0.25	10	0.40	7.5	0.50	5	0.39
		LP65B51.5	1.5	0.25	15.5	0.40	13.5	0.60	9.5	0.59
		LP65B52.2	2.2	0.25	22	0.40	19	0.60	14	0.59
		LP65B53.7	3.7	0.25	32	0.40	28.5	0.60	21.5	0.59
	80	LP65C55.5	5.5	0.25	45	0.40	40	0.50	36	0.39
		LP80B51.5	1.5	0.40	12.5	0.60	10.5	1.05	4	0.59
		LP80B52.2	2.2	0.40	15	0.60	13.5	1.20	5.5	0.59
		LP80B53.7	3.7	0.40	21.5	0.60	19.5	1.20	12.5	0.59
	100	LP80C55.5	5.5	0.40	32.5	0.60	29	0.80	24	0.39
		LP80C57.5	7.5	0.40	42	0.60	37	0.80	30	0.39
		LP100C55.5	5.5	0.63	23	1.0	20	1.25	17	0.39
		LP100C57.5	7.5	0.63	33	1.0	27	1.25	21.5	0.39

Nominal diameter mm	Model	Output kW	Specifications						Allowable push-in pressure MPa	
			Discharge rate m ³ /min	Total head m	Discharge rate m ³ /min	Total head m	Discharge rate m ³ /min	Total head m	Standard spec	High back pressure spec
125	LP125K-57.5(H)	7.5	0.8	17.4	2.0	14.4	3.0	8.6	1.18	1.6
	LP125K-511(H)	11	0.8	23.1	2.0	19.9	3.2	13.2	1.13	
	LP125J-515(H)	15	0.8	29.7	2.0	25.8	3.1	18.7	1.06	
	LP125J-518(H)	18.5	0.8	34.2	2.0	30.4	3.3	21.7	1.02	
	LP125G-522(H)	22	0.8	39.0	2.0	34.6	3.3	25.0	0.97	
	LP125G-530(H)	30	0.8	47.9	2.0	44.3	3.3	35.6	0.88	
150	LP150K-511(H)	11	1.6	15.5	3.2	13.7	4.7	9.8	1.19	
	LP150K-515(H)	15	1.6	19.2	3.2	17.4	5.0	13.3	1.15	
	LP150K-518(H)	18.5	1.6	22.4	3.2	20.7	5.0	16.9	1.12	
	LP150J-518(H)	18.5	1.6	27.4	3.2	24.0	4.6	17.3	1.08	
	LP150J-522(H)	22	1.6	31.3	3.2	28.2	4.0	25.3	1.04	
	LP150JC-522(H)	22	1.6	29.7	3.2	26.6	4.7	19.6	1.06	
	LP150J-530(H)	30	1.6	37.3	3.2	34.3	5.0	26.2	0.98	
	LP150G-537(H)	37	1.6	47.2	3.2	41.6	4.0	37.5	0.89	
200	LP150GC-537(H)	37	1.6	45.0	3.2	39.4	5.0	29.0	0.91	
	LP150G-545(H)	45	1.6	51.7	3.2	46.1	5.0	35.8	0.84	
	LP200K-522(H)	22	3.2	19.0	6.4	14.0	9.0	8.9	1.15	
	LP200K-530(H)	30	3.2	23.4	6.4	18.2	9.5	11.7	1.10	
	LP200J-537(H)	37	3.2	28.4	6.4	23.2	9.0	17.7	1.04	
	LP200J-545(H)	45	3.2	31.8	6.4	27.1	10.0	19.1	1.01	
200	LP200J-555(H)	55	3.2	36.5	6.4	32.4	10.0	24.3	0.96	
	LP200J-575(H)	75	3.2	43.0	6.4	40.5	10.0	31.8	0.91	

Motor specifications table

Classification		Output W	Rating			Starting			Heat-resistance class	Bearing	
Phase	Protection method		Voltage V	Current A	Rotation speed min ⁻¹	Torque %	Current A	Method		Load side (D.S)	Anti-load side (O.S)
Single-phase	Drip-proof protected type	0.04	100	0.82	2830	115	2.6	Capacitor	E	6200VV	6200VV
		0.05	100	0.95	2720	100	2.6	Capacitor	E	6200VV	6200VV
		0.08	100	2.5	2850	80	7	Capacitor	E	6201VV	6201VV
		0.15	100	2.9	2750	53.2	8.3	Capacitor	E	6200DDU	6200DDU
		0.25	100	4.5	2940	85	33.4	Capacitor	E	6204ZCC3	6203ZCC3
		0.4	100	6.1	2850	51	33.4	Capacitor	E	6204ZCC3	6203ZCC3
Three-phase	Drip-proof protected type	0.08	200	0.95	2850	600	3.2	Direct-on-Line start	E	6201VV	6201VV
		0.15	200	1	2780	370.5	4.8	Direct-on-Line start	E	6200DDU	6200DDU
	Totally-enclosed-fan-cooled outdoor type	0.25	200	1.2	2830	252	7.2	Direct-on-Line start	F	6204ZCC3	6203ZCC3
		0.4	200	2	2880	461	15.9	Direct-on-Line start	F	6204ZCC3	6203ZCC3
		0.75	200	3.3	2880	372	25.2	Direct-on-Line start	F	6205ZCC3	6204ZCC3
		1.5	200	6.4	2830	262	39	Direct-on-Line start	F	6306ZCC3	6205ZCC3
		2.2	200	8.7	2820	313	61.7	Direct-on-Line start	F	6306ZCC3	6205ZCC3
		3.7	200	14.5	2830	336	111	Direct-on-Line start	F	6307ZCC3	6306ZCC3
		5.5	200	21.5	2930	262	154	Direct-on-Line start	F	6308ZCC3	6306ZCC3
7.5	200	28.5	2920	284	211	Direct-on-Line start	F	6308ZCC3	6306ZCC3		

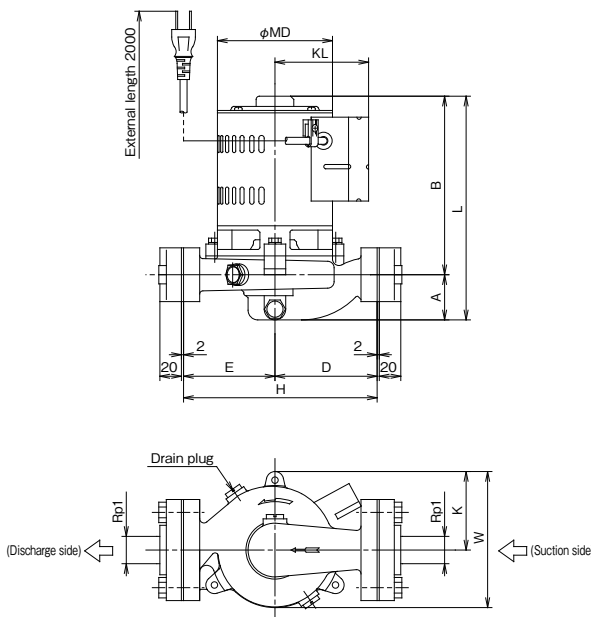
Parts list

Model	Mechanical seal	O-ring (for casing)
LP25A5.04S	EA-104-9	G95
LP25A5.05S	EA-104-9	G95
LP25A5.08S	EH-791	G95
LP25A5.15S	EA560-008	G95
LP25A5.25S	H-16	G120
LP32A5.25S	H-16	G120
LP32A5.4S	H-16	G120
LP40A5.25S	H-16	G120
LP40A5.4S	H-16	G120
LP50A5.4S	H-16	G120
LP25A5.08	EH-791	G95
LP25A5.15	EA560-008	G95
LP25A5.25	H-16	G120
LP32A5.25	H-16	G120
LP32A5.4	H-16	G120
LP32A5.75	H-16	G140
LP40A5.25	H-16	G120
LP40A5.4	H-16	G120
LP40A5.75	H-16	G120

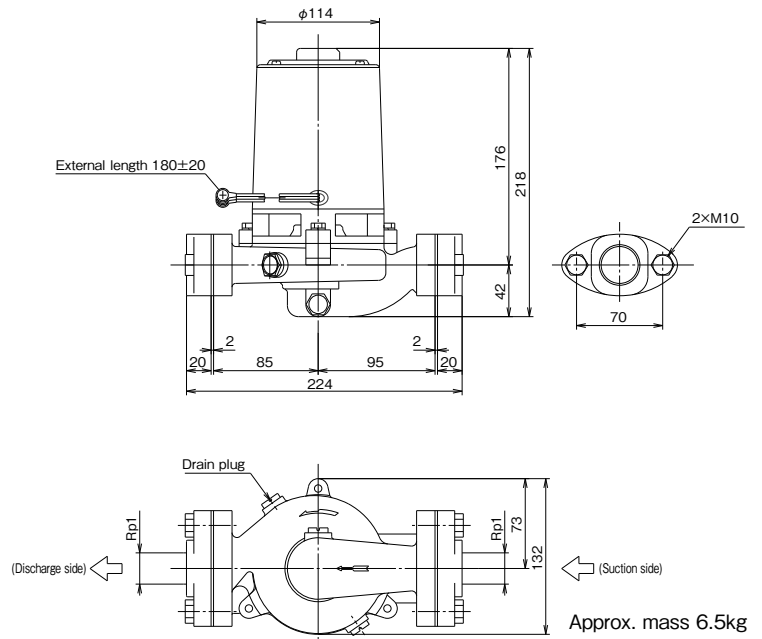
Model	Mechanical seal	O-ring (for casing)
LP40B51.5	H-20H	K184
LP40B52.2	H-20H	K184
LP50A5.4	H-16	G120
LP50A5.75	H-16	G120
LP50B51.5	H-20H	G140
LP50B52.2	H-20H	K184
LP50B53.7	H-20H	K184
LP65A5.75	H-16	G120
LP65B51.5	H-20H	G140
LP65B52.2	H-20H	G140
LP65B53.7	H-20H	K184
LP65C55.5	EA560-25	K198
LP80B51.5	H-20H	G140
LP80B52.2	H-20H	G140
LP80B53.7	H-20H	G140
LP80C55.5	EA560-25	K198
LP80C57.5	EA560-25	K198
LP100C55.5	EA560-25	K198
LP100C57.5	EA560-25	K198

Assembly drawing

●LP25A5.04S~5.08S



●LP25A5.08

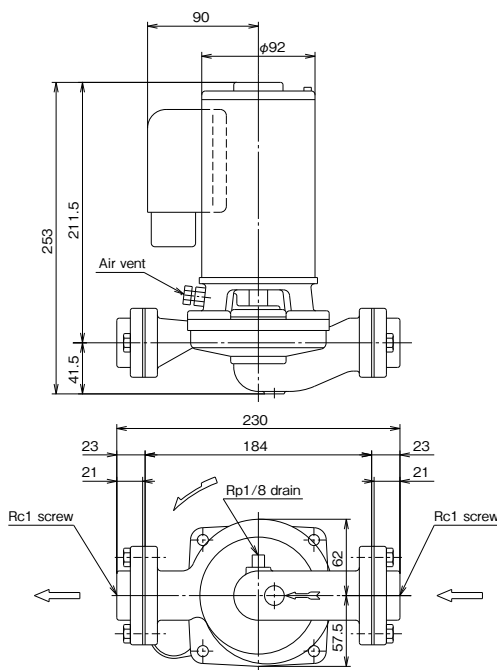


Size table

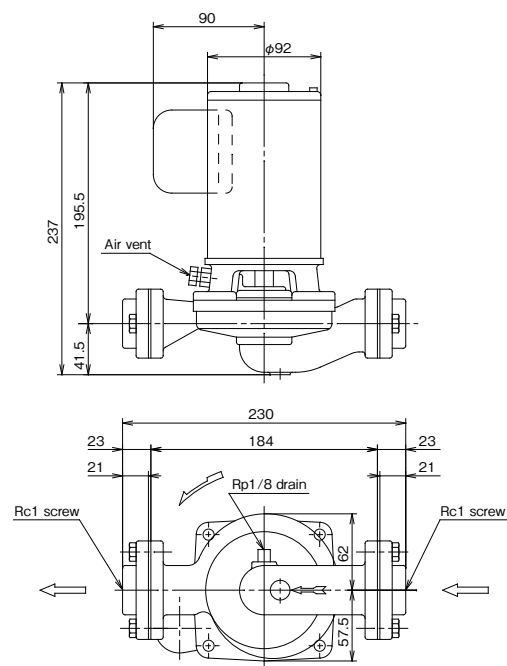
(Unit: mm)

Nominal diameter d	Model	Phase and voltage v	Output W	Pump and motor										Approx. mass kg
				A	B	D	E	H	K	L	W	KL	MD	
25	LP25A5.04S	Single-phase, 100	40	29	159	69	69	138	68	188	127	91	99	5.5
	LP25A5.05S		50	29	159	69	96	138	68	188	127	91	99	5.5
	LP25A5.08S		80	42	176	95	85	180	73	218	132	86	109	7.2

●LP25A5.15S



●LP25A5.15

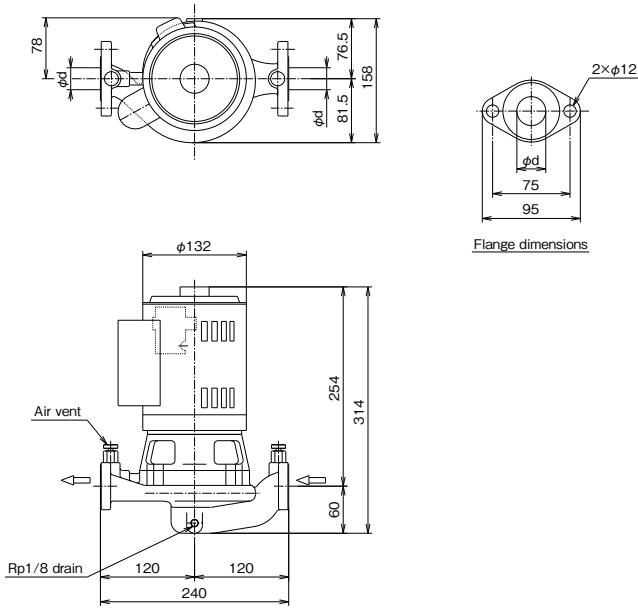


Nominal diameter d	Model	Phase and voltage	Output W	Approx. mass kg
25	LP25A5.15S	Single-phase, 100V	150	7.5

Nominal diameter d	Model	Phase and voltage	Output kW	Approx. mass kg
25	LP25A5.15	Three-phase, 200V	0.15	6.4

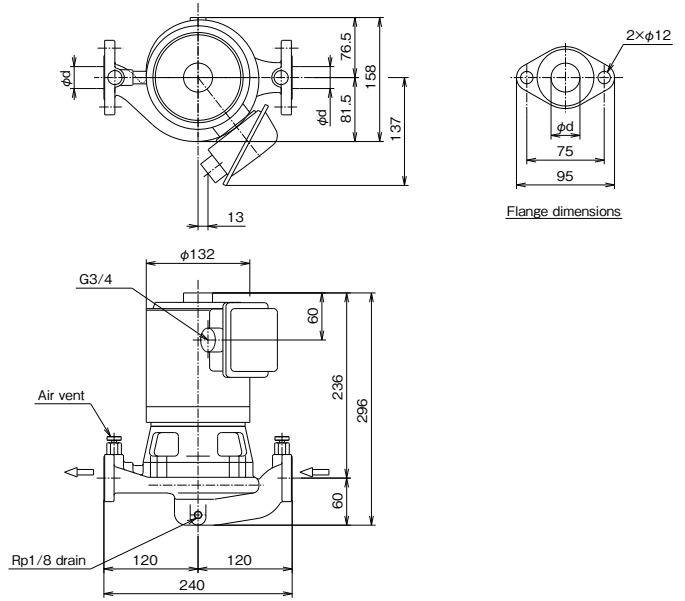
Assembly drawing

●LP25A5.25S



Nominal diameter d	Model	Phase and voltage	Output W	Approx. mass kg
25	LP25A5.25S	Single-phase, 100V	250	16.5

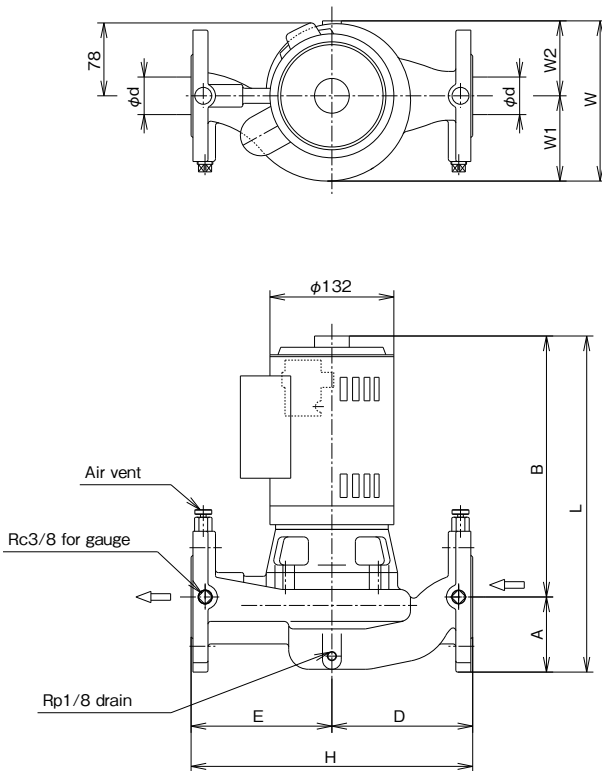
●LP25A5.25



Nominal diameter d	Model	Phase and voltage	Output kW	Approx. mass kg
25	LP25A5.25	Three-phase, 200V	0.25	15.3

●LP32 - 50A single-phase

☆Flange dimensions: JIS 10K low-profile flange or equivalent



Size table

(Unit: mm)

Nominal diameter d	Model	Output W	Pump and motor				
			A	B	D	E	H
32	LP32A5.25S	250	70	258	140	140	280
	LP32A5.4S	400	70	276	140	140	280
40	LP40A5.25S	250	80	260	150	150	300
	LP40A5.4S	400	80	278	150	150	300
50	LP50A5.4S	400	85	283	160	150	310

Model	Pump and motor				Approx. mass kg
	L	W	W1	W2	
LP32A5.25S	328	173	92	81	26
LP32A5.4S	346	173	92	81	27
LP40A5.25S	340	171	91	80	28
LP40A5.4S	358	171	91	80	29
LP50A5.4S	368	178	95	83	31

Assembly drawing

☆Flange dimensions: JIS 10K low-profile flange or equivalent

●LP32 - 40A 0.25kW

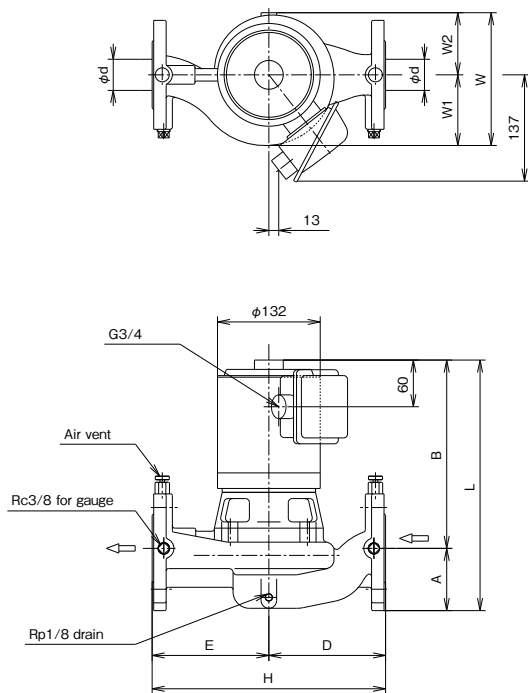


Fig. 1

●LP32 - 65A 0.4 - 0.75kW

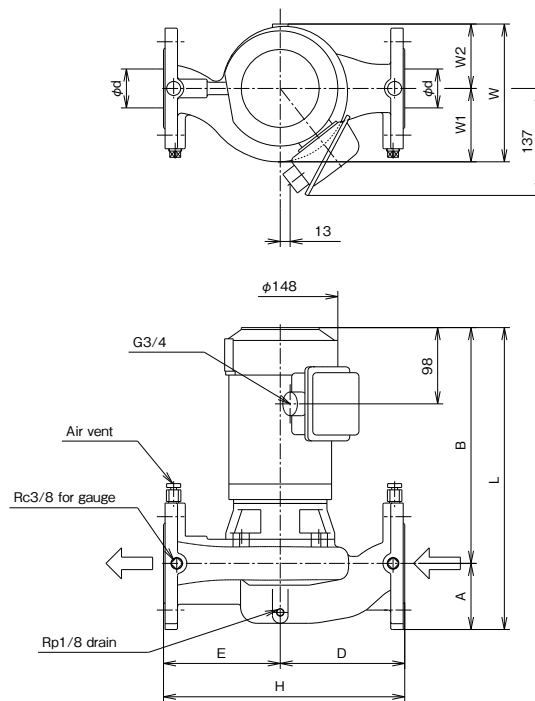


Fig. 2

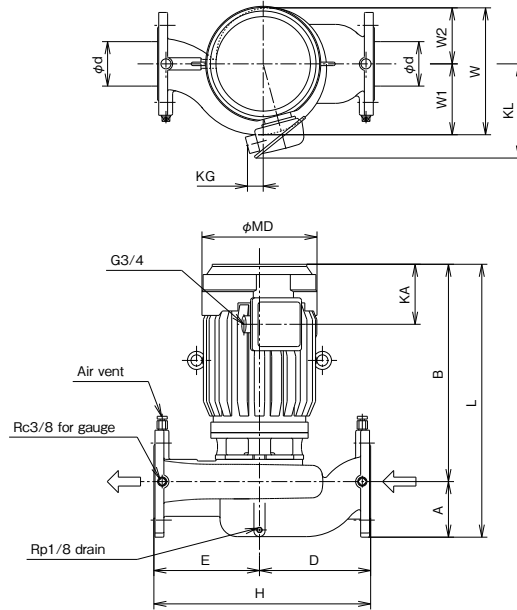
Size table

(Unit: mm)

Fig.	Nominal diameter d	Model	Output kW	Pump and motor									Approx. mass kg
				A	B	D	E	H	L	W	W1	W2	
1	32	LP32A5.25	0.25	70	240	140	140	280	310	173	92	81	22
2		LP32A5.4	0.4	70	278	140	140	280	348	173	92	81	26
2		LP32A5.75	0.75	70	296	140	140	280	366	173	88	85	33
1	40	LP40A5.25	0.25	80	242	150	150	300	322	171	91	80	25
2		LP40A5.4	0.4	80	280	150	150	300	360	171	91	80	29
2		LP40A5.75	0.75	80	298	150	150	300	378	171	91	80	33
1	50	LP50A5.4	0.4	85	285	160	150	310	370	178	95	83	32
2		LP50A5.75	0.75	85	303	160	150	310	388	178	95	83	35
2	65	LP65A5.75	0.75	95	311	175	165	340	406	193	105.5	87.5	40

Assembly drawing

●LP-B type

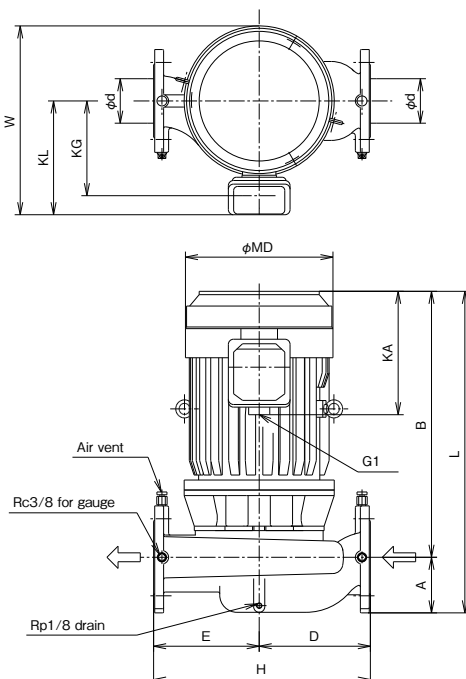


Size table

(Unit: mm)

Nominal diameter d	Model	Output kW	Pump and motor													Approx. mass kg
			A	B	D	E	H	L	W	W1	W2	KA	KG	KL	MD	
40	LP40B51.5	1.5	80	332	170	170	340	412	216	112	104	98	31	157	184	29
	LP40B52.2	2.2	80	375	170	170	340	455	216	112	104	106	28	169	207	40
50	LP50B51.5	1.5	80	337	155	155	310	417	188	100	88	98	31	157	184	31
	LP50B52.2	2.2	80	375	175	165	340	455	228	120	108	106	28	169	207	41
	LP50B53.7	3.7	80	381	175	165	340	461	228	120	108	108	28	169	207	52
65	LP65B51.5	1.5	95	345	175	165	340	440	218	121	97	98	31	157	184	35
	LP65B52.2	2.2	95	383	175	165	340	478	218	121	97	106	28	169	207	45
	LP65B53.7	3.7	95	386	175	165	340	481	234	123	111	108	28	169	207	56
80	LP80B51.5	1.5	100	347	200	190	390	447	228	127	101	98	31	157	184	47
	LP80B52.2	2.2	100	385	200	190	390	485	228	127	101	106	28	169	207	52
	LP80B53.7	3.7	100	391	200	190	390	491	228	127	101	108	28	169	207	62

●LP-C type



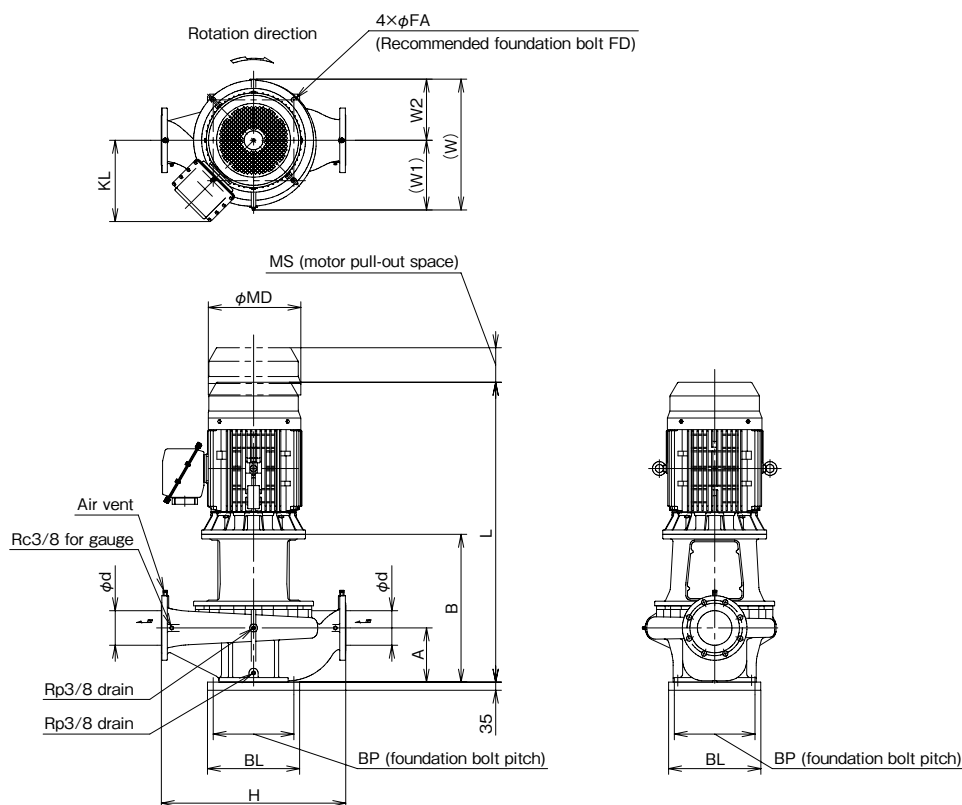
Size table

(Unit: mm)

Nominal diameter d	Model	Output kW	Pump and motor									Approx. mass kg
			A	B	D	E	H	L	W	KL	MD	
65	LP65C55.5	5.5	95	436	185	185	370	531	325	190	228	73
80	LP80C55.5	5.5	100	439	200	190	390	539	325	190	228	79
	LP80C57.5	7.5	100	479	200	190	390	579	340	205	266	99
100	LP100C55.5	5.5	115	438	225	205	430	553	325	190	228	86
	LP100C57.5	7.5	115	478	225	205	430	593	340	205	266	106

Assembly drawing

●LP125 - 200



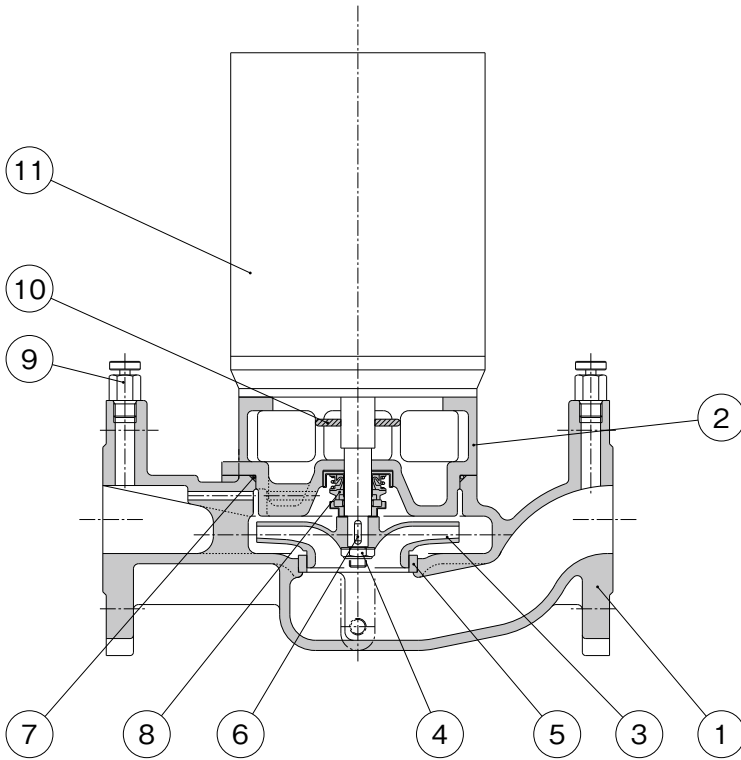
Size table

(Unit: mm)

Nominal diameter d	Model	Output kW	A	B	H	L	W	W1	W2	KL	MD	MS	BL	BP	FA	FD	Approx. mass kg
125	LP125K-57.5	7.5	215	554	700	962	452	250	202	216	243	90	350	300	23	M20	236
	LP125K-511	11	215	584	700	1077	452	250	202	261	303	120	350	300	23	M20	277
	LP125J-515	15	215	586	800	1101	507	275	232	263	303	120	350	300	23	M20	333
	LP125J-518	18.5	215	586	800	1148	507	275	232	339	370	120	350	300	23	M20	412
	LP125G-522	22	215	591	800	1153	578	310	268	339	370	120	350	300	23	M20	434
	LP125G-530	30	215	591	800	1191	578	310	268	339	370	120	350	300	23	M20	465
150	LP150K-511	11	215	596	800	1089	504	285	219	261	303	120	400	350	23	M20	320
	LP150K-515	15	215	596	800	1111	504	285	219	263	303	120	400	350	23	M20	335
	LP150K-518	18.5	215	596	800	1158	504	285	219	339	370	120	400	350	23	M20	412
	LP150J-518	18.5	215	591	800	1153	546	300	246	339	370	120	400	350	23	M20	441
	LP150J(C)-522	22	215	591	800	1153	546	300	246	339	370	120	400	350	23	M20	452
	LP150J-530	30	215	591	800	1191	546	300	246	339	370	120	400	350	23	M20	482
	LP150G(C)-537	37	235	641	800	1301	582	315	267	353	410	150	400	350	23	M20	554
200	LP150G-545	45	235	641	800	1301	582	315	267	353	410	150	400	350	23	M20	570
	LP200K-522	22	295	674	900	1263	575	330	245	339	370	120	500	410	25	M22	509
	LP200K-530	30	295	674	900	1274	575	330	245	339	370	120	500	410	25	M22	547
	LP200J-537	37	295	728	1000	1388	637	360	277	353	410	150	500	410	25	M22	679
	LP200J-545	45	295	728	1000	1388	637	360	277	353	410	150	500	410	25	M22	695
	LP200J-555	55	295	728	1000	1401	637	360	277	367	456	150	500	410	25	M22	780
LP200J-575	75	295	728	1000	1823	637	360	277	405	535	150	500	410	25	M22	1152	

Example of internal structure diagram

●LP40 - 50A single-phase



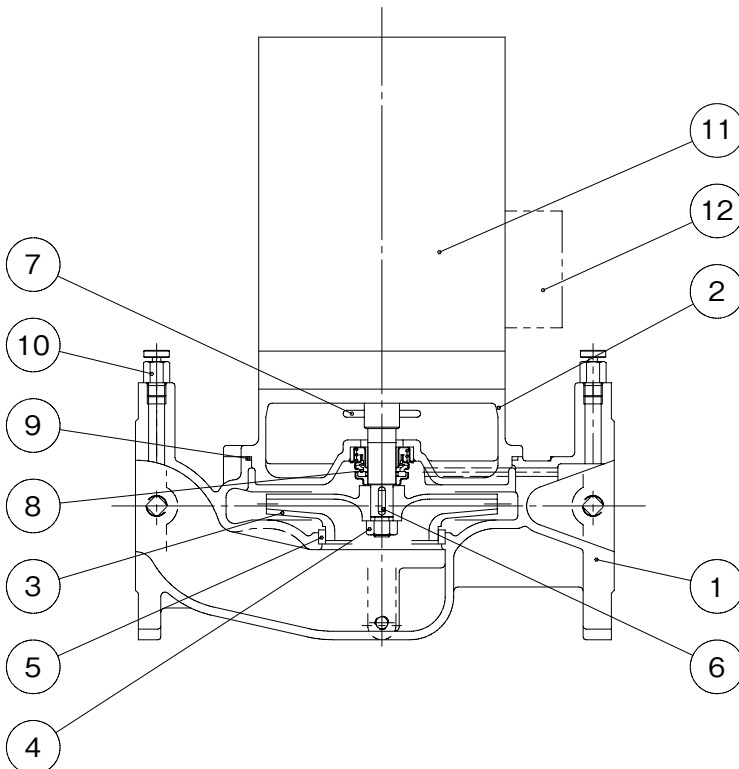
Parts list

No.	Part name	Qty	Material
1	Casing	1	FC200
2	Frame	1	FC200
3	Impeller	1	CAC406
4	Impeller nut	1	SUS304
5	Wearing ring	1	CAC406
6	Key	1	SUS420J2
7	O-ring	1	NBR
8	Mechanical seal	1	CERAMICS~CARBON
9	Air vent valve	2	C3604BD
10	Deflector	1	CR
11	Motor	1	

Applicable models: LP40A5.25S / LP40A5.4S / LP50A5.4S

Example of internal structure diagram

●LP40 - 80B 1.5kW



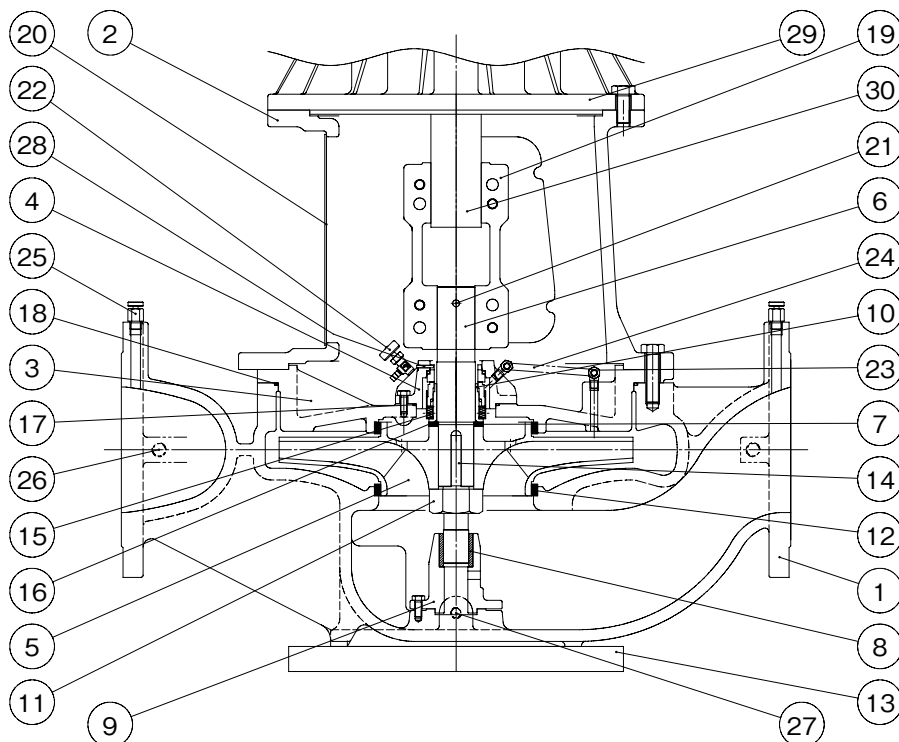
Parts list

No.	Part name	Qty	Material
1	Casing	1	FC200
2	Frame	1	FC200
3	Impeller	1	CAC406
4	Impeller nut	1	SUS304
5	Wearing ring	1	CAC406
6	Key	1	SUS304
7	Deflector	1	CR
8	Mechanical seal	1	SIC~CARBON
9	O-ring	1	NBR
10	Air vent valve	2	C3604BD
11	Motor	1	
12	Terminal box	1	

Applicable models: LP40B-51.5 / LP50B-51.5 / LP65B-51.5
LP80B-51.5

Example of internal structure diagram

●LP125 - 200



Parts list

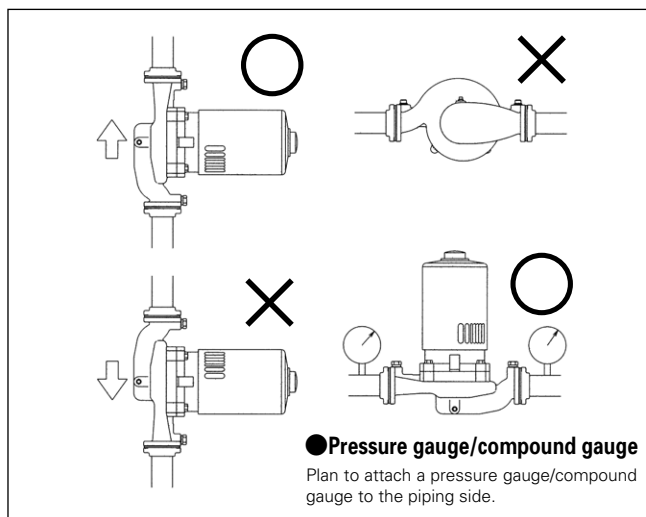
No.	Part name	Qty	Material
1	Casing	1	FCD450
2	Frame	1	FC200
3	Casing cover	1	FCD450
4	Seal cover	1	FC200
5	Impeller	1	CAC406
6	Shaft	1	SUS420J2
7	Spacer	1	SUS304
8	Slide bearing	1	Cu-Sn-C
9	Bearing holder	1	FC200
10	Sleeve	1	SUS304
11	Impeller nut	1	SUS304
12	Wearing ring	2	CAC406
13	Common base	1	SS400
14	Key	1	SUS304
15	Mechanical seal	1	SIC~CARBON

No.	Part name	Qty	Material
16	O-ring	1	NBR
17	O-ring	1	NBR
18	O-ring	1	NBR
19	Coupling	1	FCD450
20	Coupling cover	2	SUS304
21	Parallel pin	1	S45C
22	Air vent valve	1	C3771B
23	Conduit joint	2	C3771B
24	Seal water pipe	1	NYRON
25	Air vent valve	2	C3604BD
26	Plug	2	SS400
27	Plug	2	SS400
28	Roll pin*	1	SUS304
29	Motor	1	
30	Motor shaft	1	S45C

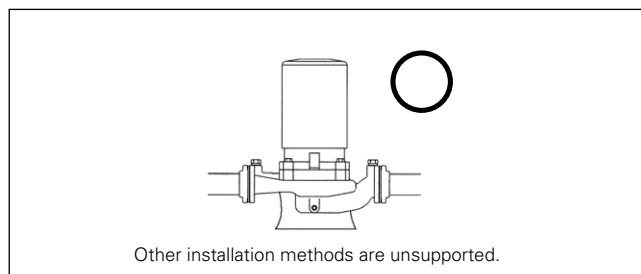
The part marked with ※ is adapted to type: **H (high push-in type) only.

Installation method

●LP25~100



●LP125~200



MEMO

A series of horizontal dashed lines for writing.

Your Dealer

TERAL

TERAL INC.

Head Office 230, Moriwake, Miyuki-cho, Fukuyama-city, Hiroshima, 720-0003, Japan Tel.+81-84-955-1111 Fax.+81-84-955-5777
www.teral.net

TERAL ASIA LTD.

Room 1001, 10/F, Olympia Plaza, 255 King's Road, North Point, Hong Kong Tel.+852-2571-0886 Fax.+852-2571-0619

TERAL THAI CO., LTD.

TERAL TRADING & SERVICE CO., LTD.

150 Moo 16 Udomsornayuth Rd., T.Bangkrasan, A.Bangpa-In, Ayutthaya 13160 Thailand Tel.+66-3522-0640 Fax.+66-3522-1259

TERAL GENERAL MACHINE (SHANGHAI) CO., LTD.

No.285, Yuan Qu Road(N), Bei Qiao, Min Hang District, Shanghai 201109, China Tel.+86-21-6490-9128 Fax.+86-21-6490-9126