



Stainless Steel Self-Priming Pump

Type JESX-JEX

APPLICATIONS

Self priming electropump made in stainless steel AISI 304 suitable for domestic pressure boosting, small irrigation, gardening, car washing, tanks and pools emptying and pumping clear water in general.

SPECIFICATIONS

- Maximum working pressure : 6 bar
- Maximum liquid temperature : - 35°C according EN 60335-2-41 for domestic uses
- 60°C for other uses

MATERIALS

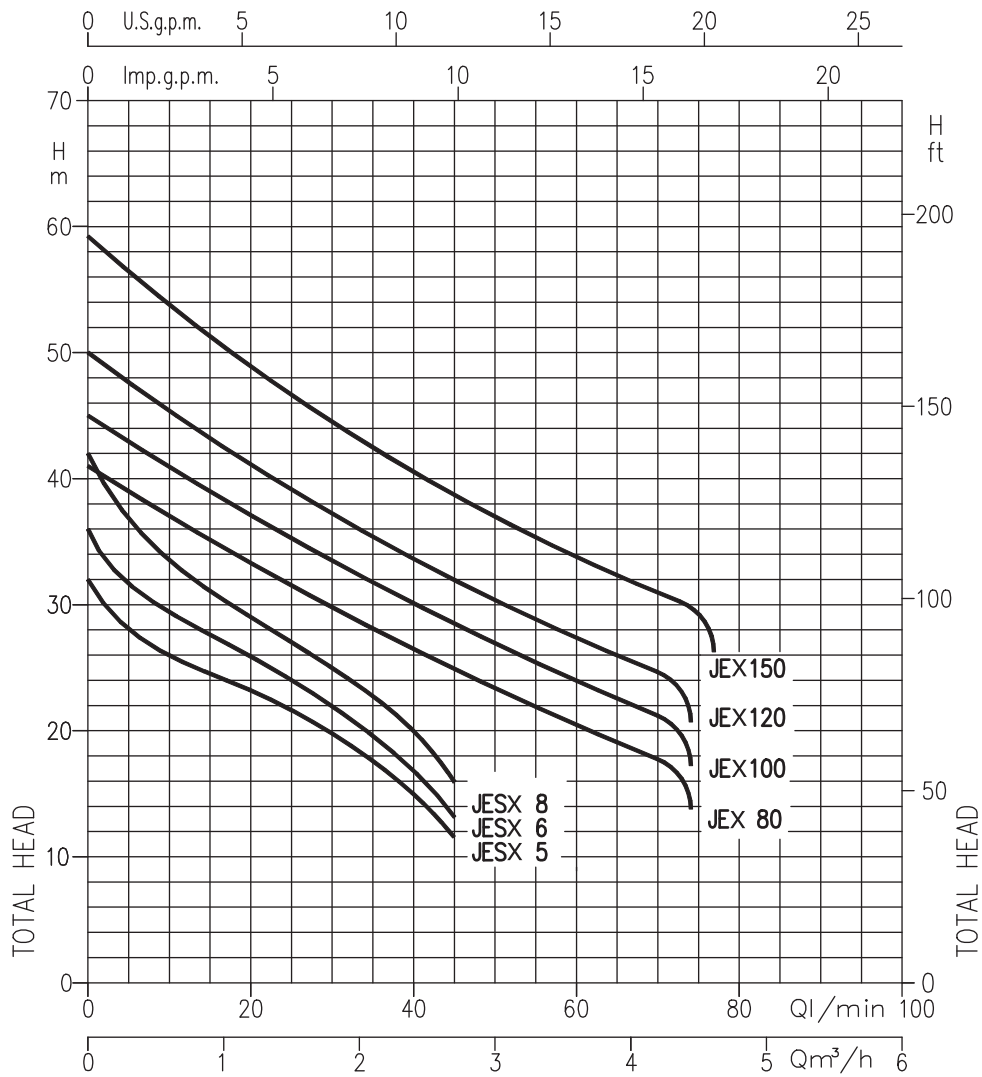
- Pump body, casing cover, in AISI 304
- Shaft in AISI 303
- Impeller in AISI 304 for JEX, in technopolymer for JESX
- Mechanical seal in carbon / ceramic / NBR

TECHNICAL DATA

- Asynchronous 2 poles motor
- Insulation : class F
- Protection degree : IP54
- 1 ~ 230V \pm 10% 50Hz, 3~230/400V \pm 10% 50Hz
- Permanent split capacitor and automatic thermal overload protection for single-phase version.
- Thermal protection to be provided by the user for three-phase version
- DNA 1" for JESX, 1" $\frac{1}{4}$ for JEX.
- DNM 1"

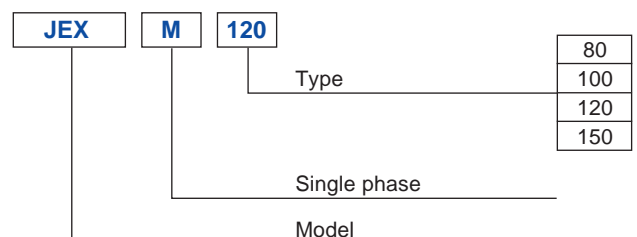
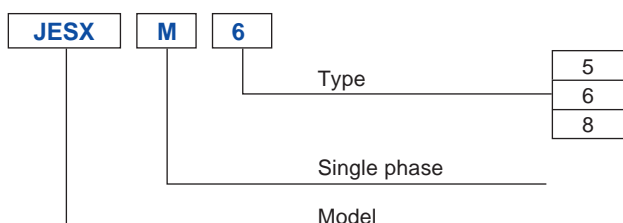


PERFORMANCE CURVE



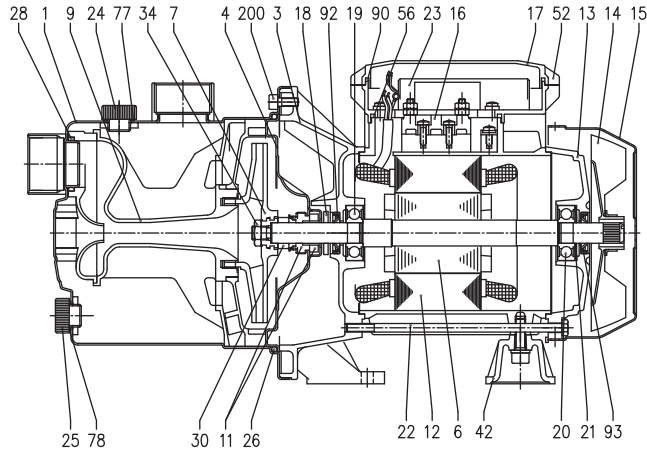
Pump Type		kW	Capacitor		Absorbed Currentv (A)			l/min m³/h	Q = Capacity									
Single-phase 230V 50Hz	Three-phase 230/400V 50Hz		µF	V _c	Single -phase	Three-phase 230V 400V			5	20	30	40	45	50	60	70	75	
							H = Total Head											
JESXM 5	JESX 5	0.37	10	450	2.1	1.5	0.85	28	23	20	15	11.5	-	-	-	-		
JESXM 6	JESX 6	0.44	10	450	2.4	1.9	1.1	31.5	26	22	17	13.5	-	-	-	-		
JESXM 8	JESX 8	0.6	12.5	450	3.0	2.3	1.3	37	29	25	20	16	-	-	-	-		
JEXM 80	JEX 80	0.6	16	450	4.7	3.3	1.9	39	33	29	26.5	25	23.5	20.5	18	-		
JEXM 100	JEX 100	0.75	20	450	6.4	4.5	2.6	43	37	33.5	30	28	27	24	21	-		
JEXM 120	JEX 120	0.88	20	450	6.7	4.7	2.7	47.5	41	37	34	32	30.5	27.5	24.5	-		
JEXM 150	JEX 150	1.1	31.5	450	8.0	5.6	3.3	56	49	44.5	40.5	38.5	37	34	31	29.5		

IDENTIFICATION CODE



SECTIONAL VIEW

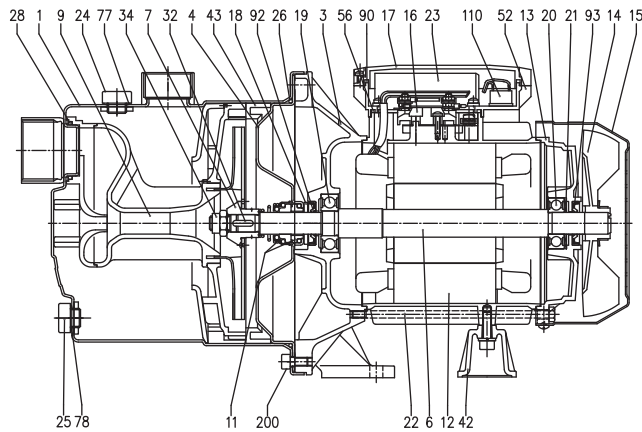
JESX



Ref.	Name	Material	Ref.	Name	Material
1	Pump body	AISI 304	22	Tie-rod	Galvanised Fe 42
3	Motor support	Aluminium	23	Capacitor [2]	-
4	Seal housing disc	AISI 304	24	Filler cap	PA6
6	Rotor shaft	AISI 303 (Part in contact with the liquid)	25	Drain plug	PA6
7	Impeller	PPO reinforced with fibreglass	26	O-Ring	NBR
9	Venturi Unit + nozzle	PPO reinforced with fibreglass	28	O-Ring	NBR
11	Mechanical seal	Carbon/Ceramic/NBR	30	Mechanical seal spacer	Brass
12	Motor case	-	34	Impeller nut [1]	AISI 304
13	Motor cover	Aluminium	42	Foot	Aluminium
14	Fan	PA6	52	Capacitor-holder box [2]	ABS
15	Fan cover	Galvanised Fe P04	56	Terminal box cover gasket	NBR
16	Terminal box	-	77	O-Ring	NBR
17	Terminal box cover [1]	Aluminium	78	O-Ring	NBR
18	Spray protector washer	NBR	90	Cover gasket [2] [3]	NBR
19	Bearing (pump side)	-	92	Sealing ring [3]	-
20	Bearing (motor side)	-	93	Sealing ring [3]	-
21	Adjusting ring	Steel C70	200	Screw (pump body)	A2 UNI7323 stainless steel

[1] = For three-phase only [2] = For single phase only [3] = For IP 55 only

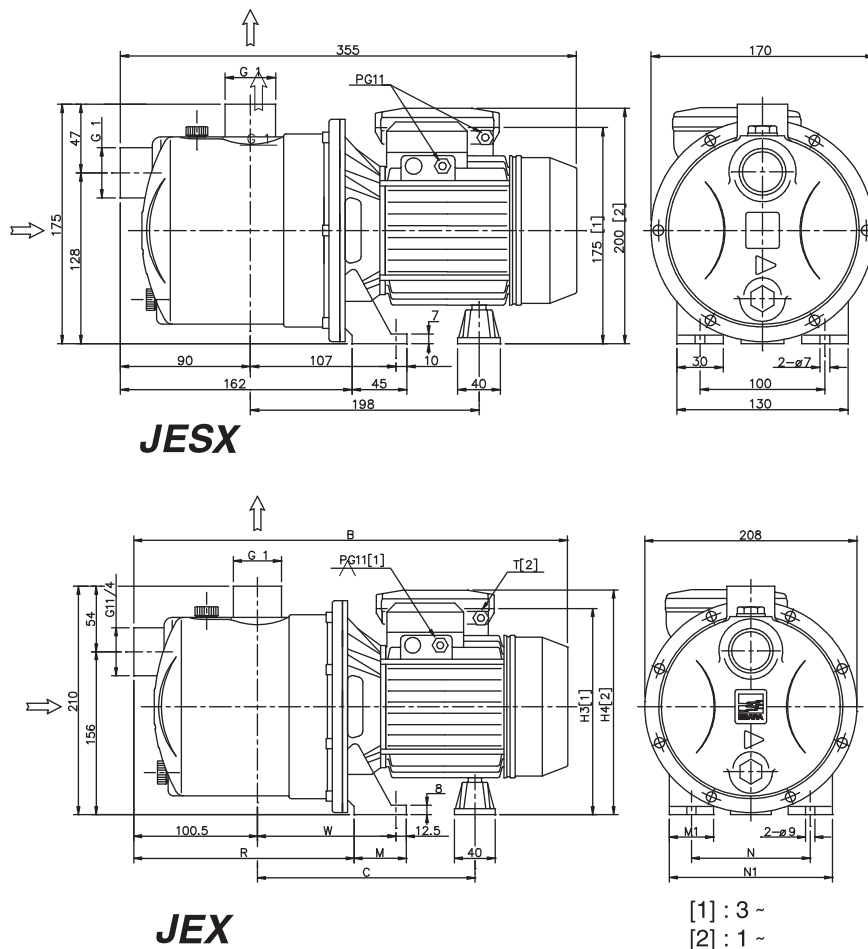
JEX



Ref.	Name	Material	Ref.	Name	Material
1	Pump body	AISI 304	23	Capacitor [2]	-
3	Motor support	Aluminium	24	Filler cap	PA6
4	Seal housing disc	AISI 304	25	Drain plug	PA6
6	Rotor shaft	AISI 303 (Part in contact with the liquid)	26	O-Ring	NBR
7	Impeller	AISI 304	28	O-Ring	NBR
9	Venturi Unit + nozzle	PPO reinforced with fibreglass	32	Key	AISI 304
11	Mechanical seal	Carbon/Ceramic/NBR	34	Impeller nut	AISI 304
12	Motor case	-	42	Foot	Aluminium
13	Motor cover	Aluminium	43	Nozzle spacer	PPO reinforced with fibreglass
14	Fan	PA6	52	Capacitor-holder box [2]	ABS
15	Fan cover	Galvanised Fe P04	56	Terminal box cover gasket	NBR
16	Terminal box	-	77	O-Ring	NBR
17	Terminal box cover [1]	Aluminium	78	O-Ring	NBR
18	Spray protector washer	NBR	90	Cover gasket [2] [3]	NBR
19	Bearing (pump side)	-	92	Sealing ring [3]	-
20	Bearing (motor side)	-	93	Sealing ring [3]	-
21	Adjusting ring	Steel C70	110	Motorprotector [2]	-
22	Tie-rod	Galvanised Fe 42	200	Screw (pump body)	A2 UNI7323 stainless steel

[1] = For three-phase only [2] = For single phase only [3] = For IP 55 only

DIMENSION



Pump Type		Dimensions (mm)											Weight kg
Single-phase	Three-phase	B	C	H3	H4	M	M1	N	N1	R	T	W	
JEXM 80	JEX 80	417	230	206	215	50	38	120	160	206	PG11	143	10.3
JEXM 100	JEX 100	417	230	206	215	50	38	120	160	206	PG11	143	10.8
JEXM 120	JEX 120	417	230	206	215	50	38	120	160	206	PG11	143	11.5
JEXM 150	JEX 150	445	250	216	240	55	40	140	180	203.5	PG13.5	145.5	14.1

Pump Type		Weight kg
Single-phase	Three-phase	
JESXM 5	JESX 5	5.1
JESXM 6	JESX 6	5.5
JESXM 8	JESX 8	6.1

* Dimensional details are provided for reference only.
* All specifications are subject to change without prior notice.



EBARA Pumps Malaysia Sdn Bhd
6, Jalan TP3, UEP Subang Jaya Industrial Park,
47620 Subang Jaya, Selangor, Malaysia.
Tel : 03-8023 6622 Fax : 03-8023 9355
Email : sales@ebara.com.my
Website : www.ebara.com.my



Authorised dealer: