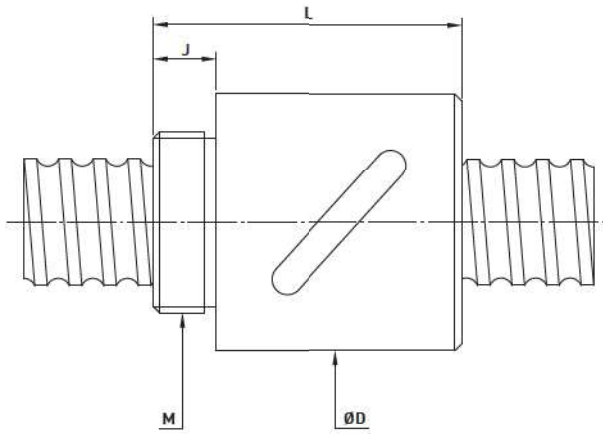
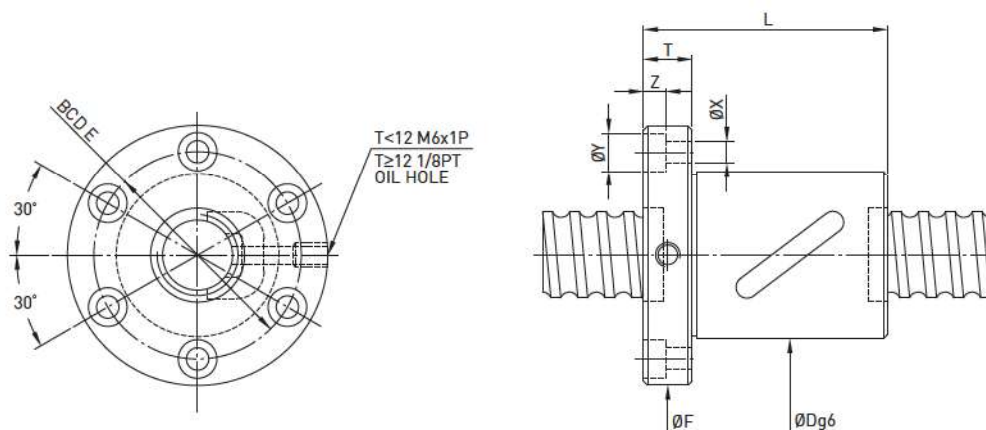


RSB Type ◀ Standard Product



Model	Size		Ball Dia.	Circuits	Dynamic Load C (kgf)	Static Load Co (kgf)	Nut		Mounting Thread	Mounting Thread Length
	Nominal Dia.	Lead					L	D	M	J
8-2.5B1	8	2.5	2.000	2.5x1	218	317	24	22	M18x1P	7.5
10-2.5B1	10	2.5	2.000	2.5x1	252	405	24	24	M20x1P	7.5
10-4B1	10	4	2.381	2.5x1	305	466	34	26	M22x1P	10
12-4B1	12	4	2.381	2.5x1	344	574	34	25.5	M20x1P	10
12-5B1	12	5	2.000	2.5x1	275	481	38	26	M20x1P	8
16-5B1	16	5	3.175	2.5x1	678	1226	42	36	M30x1.5P	12
16-10B1	16	10	3.175	2.5x1	667	1194	57	36	M30x1.5P	12
20-5B1	20	5	3.175	2.5x1	746	1526	45	38	M35x1.5P	15
20-5C1	20	5	3.175	3.5x1	1001	2149	54	40	M36x1.5P	14
20-10B1	20	10	4.763	2.5x1	1280	2314	60	52	M40x1.5P	15
25-5B2	25	5	3.175	2.5x2	1534	3975	69	46	M42x1.5P	19
32-5B2	32	5	3.175	2.5x2	1702	5098	69	54	M50x2P	19
32-10B2	32	10	6.350	2.5x2	4384	10345	105	68	M62x2P	19
40-5B2	40	5	3.175	2.5x2	1859	6354	62	66	M62x2P	19
40-10B2	40	10	6.350	2.5x2	4812	12732	110	76	M70x2P	24
50-5B2	50	5	3.175	2.5x2	2004	7941	70	79	M70x2P	24
50-10C2	50	10	6.350	3.5x2	7145	22477	135	88	M82x2P	29
63-10C2	63	10	6.350	3.5x2	7868	28291	135	104	M95x2P	29

FSB Type ◀ Standard Product



Model	Size		Ball Dia.	Circuits	Dynamic Load C (kgf)	Static Load Co (kgf)	Nut		Flange					
	Nominal Dia.	Lead					L	D	F	BCD-E	T	Bolt		
												X	Y	Z
8-2.5B1	8	2.5	2.000	2.5x1	218	317	34	22	43	31	8	5.5	9.5	5.5
10-2.5B1	10	2.5	2.000	2.5x1	252	405	34	24	46	34	8	5.5	9.5	5.5
10-4B1	10	4	2.381	2.5x1	304	466	41	26	49	37	10	5.5	9.5	5.5
12-4B1	12	4	2.381	2.5x1	344	574	41	28	51	39	10	5.5	9.5	5.5
12-4C1	12	4	2.381	3.5x1	459	803	44	30	50	40	10	4.5	8	4.5
14-4C1	14	4	2.381	3.5x1	498	943	40	31	50	40	10	4.5	8	4.5
14-5B1	14	5	3.175	2.5x1	636	1095	40	32	50	40	10	4.5	8	4.5
16-4B1	16	4	2.381	2.5x1	390	744	41	35	56	43	10	5.5	9.5	5.5
16-5B1	16	5	3.175	2.5x1	679	1226	43	36	60	47	10	5.5	9.5	5.5
16-10B1	16	10	3.175	2.5x1	667	1194	52	36	60	47	12	6.6	11	6.5
20-4C1	20	4	2.381	3.5x1	582	1329	40	40	60	50	10	4.5	8	4.5
20-5B1	20	5	3.175	2.5x1	745	1526	40	40	60	50	10	4.5	8	4.5
20-5C1	20	5	3.175	3.5x1	1001	2149	50	40	64	51	12	5.5	9.5	5.5
20-10B1	20	10	4.763	2.5x1	1280	2314	61	52	82	67	12	6.6	11	6.5
25-5B1	25	5	3.175	2.5x1	845	1987	40	43	67	55	10	5.5	9.5	5.5
25-5B2	25	5	3.175	2.5x2	1534	3975	60	46	70	58	12	5.5	9.5	5.5
25-10B2	25	10	4.763	2.5x2	2652	5966	98	60	96	78	15	5.5	9.5	5.5
32-5B2	32	5	3.175	2.5x2	1702	5098	60	54	80	67	12	6.6	11	6.5
32-10B1	32	10	6.350	2.5x1	2416	5172	68	68	102	84	16	9	14	8.5
32-10B2	32	10	6.350	2.5x2	4379	10345	98	68	102	84	16	9	14	8.5
40-10B2	40	10	6.350	2.5x2	4812	12732	102	76	117	96	18	11	17.5	11
50-10C2	50	10	6.350	3.5x2	7146	22477	126	88	129	108	18	11	17.5	11
63-10C2	63	10	6.350	3.5x2	7869	28290	128	104	146	124	20	11	17.5	11