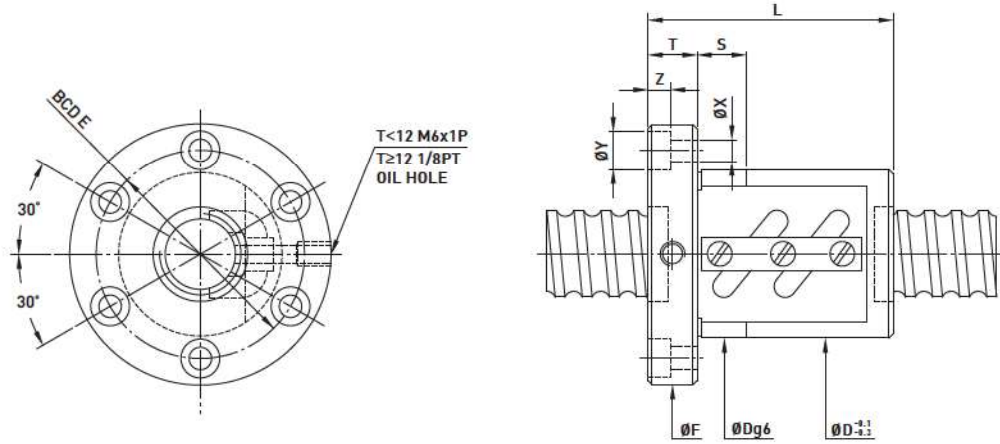


**FSW Type** ◀ Standard Product



Model	Size		Ball Dia.	Circuits	Dynamic Load C ( kgf )	Static Load Co ( kgf )	Nut		Flange							Fit
	Nominal Dia.	Lead					L	D	F	BCD-E	T	Bolt				
												X	Y	Z	S	
8-2.5B1	8	2.5	2.000	2.5x1	218	317	34	26	47	35	8	5.5	9.5	5.5	8	
10-2.5B1	10	2.5	2.000	2.5x1	252	405	34	28	52	38	8	5.5	9.5	5.5	8	
10-4B1	10	4	2.381	2.5x1	304	466	41	30	53	41	10	5.5	9.5	5.5	10	
12-4B1	12	4	2.381	2.5x1	344	574	41	30	50	40	10	5.5	9.5	5.5	12	
16-4B1	16	4	2.381	2.5x1	390	744	39	36	59	48	10	5.5	9.5	5.5	12	
16-5B1	16	5	3.175	2.5x1	678	1226	45	40	64	51	12	5.5	9.5	5.5	12	
16-10B1	16	10	3.175	2.5x1	667	1194	60	42	66	54	10	5.5	9.5	5.5	12	
20-5B1	20	5	3.175	2.5x1	746	1526	45	44	68	55	12	5.5	9.5	5.5	12	
20-5B2	20	5	3.175	2.5x2	1353	3052	60	44	68	55	12	5.5	9.5	5.5	12	
20-5C1	20	5	3.175	3.5x1	1001	2149	50	44	68	55	12	5.5	9.5	5.5	12	
20-10B1	20	10	4.763	2.5x1	1280	2314	54	46	74	59	13	6.6	11	6.5	12	
25-5B2	25	5	3.175	2.5x2	1534	3975	60	50	74	62	12	5.5	9.5	5.5	12	
25-10B1	25	10	4.763	2.5x1	1459	2983	65	60	86	73	16	6.6	11	6.5	12	
25-10B2	25	10	4.763	2.5x2	2652	5966	97	58	85	71	15	6.6	11	6.5	12	
28-5B1	28	5	3.175	2.5x1	893	2252	43	54	76	64	12	6.6	11	6.5	12	
28-5B2	28	5	3.175	2.5x2	1621	4503	58	54	76	64	12	6.6	11	6.5	12	
28-6A2	28	6	3.969	1.5x2	1395	3337	55	55	85	65	12	6.6	11	6.5	12	
32-5B2	32	5	3.175	2.5x2	1702	5098	60	58	84	71	12	6.6	11	6.5	12	
32-5C1	32	5	3.175	3.5x1	1200	3205	50	58	84	71	12	6.6	11	6.5	12	
32-6B2	32	6	3.969	2.5x2	2328	6317	63	62	89	75	12	6.6	11	6.5	12	
32-10B1	32	10	6.350	2.5x1	2416	5172	68	74	108	90	16	9	14	8.5	15	
32-10B2	32	10	6.350	2.5x2	4379	10345	98	74	108	90	16	9	14	8.5	15	
40-5B2	40	5	3.175	2.5x2	1859	6354	65	68	102	84	16	9	14	8.5	15	
40-6B2	40	6	3.969	2.5x2	2542	7967	72	70	104	86	16	9	14	8.5	15	
40-10B2	40	10	6.350	2.5x2	4812	12732	102	84	125	104	18	11	17.5	11	15	
40-12B2	40	12	7.144	2.5x2	5675	14433	117	90	130	110	18	11	17.5	11	15	
40-16A2	40	16	6.350	1.5x2	3059	7486	118	86	128	106	15	11	17.5	11	15	
40-16B1	40	16	6.350	2.5x1	2660	6363	102	86	128	106	15	11	17.5	11	15	
50-6B3	50	6	3.969	2.5x3	3954	15048	93	84	118	100	16	9	14	8.5	15	
50-6C2	50	6	3.969	3.5x2	3726	14045	80	84	118	100	18	9	14	8.5	15	
50-12B2	50	12	7.938	2.5x2	7247	20315	123	100	152	125	22	13	20	13	20	
50-20A2	50	20	6.350	1.5x2	3436	9597	114	94	135	114	18	11	17.5	11	15	
63-10B2	63	10	6.350	2.5x2	5873	20135	130	110	154	130	22	11	17.5	11	15	
63-10B3	63	10	6.350	2.5x3	8324	30202	137	110	152	130	20	11	17.5	11	15	
63-10C2	63	10	6.350	3.5x2	7868	28291	128	110	152	130	20	11	17.5	11	15	
63-20B2	63	20	9.525	2.5x2	13494	42233	176	124	172	147	22	13	20	13	20	
80-10B3	80	10	6.350	2.5x3	9189	38525	137	130	176	152	22	13	20	13	20	
80-10B4	80	10	6.350	2.5x4	11768	51366	169	130	178	152	22	13	20	13	20	
80-12B3	80	12	7.144	2.5x3	10811	43246	159	136	185	159	22	13	20	13	20	
80-16B3	80	16	9.525	2.5x3	21186	80675	204	145	192	166	28	13	20	13	25	
80-20B2	80	20	9.525	2.5x2	14976	53774	185	144	210	174	28	18	26	17.5	25	