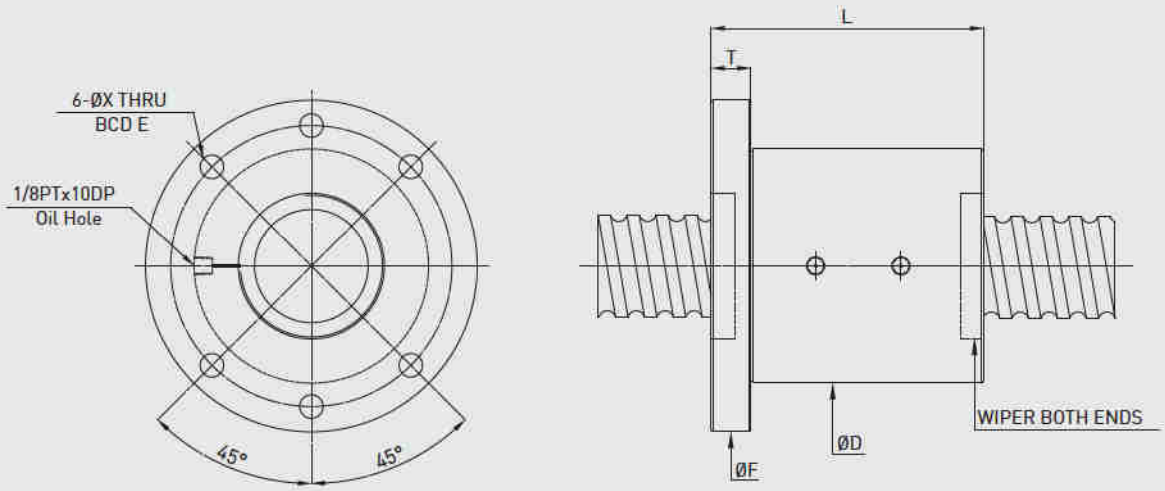


Cassette return type Heavy Load Ballscrew (FSC)



Model No.	Shaft diameter	Lead	Ball Dia.	Turns Circuits	Dynamic C		Static Co		D	L	F	T	E	X	Pmax kN
					kgf	kN	kgf	kN							
2R50-30K6	50	30	7.144	6	12160	119.2	42360	415.1	85	123	135	20	115	12	43.6
2R50-40K6	50	40	12.7	6	25410	249	72310	708.6	115	159	165	28	140	14	66.0
2R50-40K8	50	40	12.7	8	33040	323.8	98130	961.7	115	199	165	28	140	14	88.0
2R63-40K6	63	40	15.875	6	38440	376.7	114220	1119.4	140	163	200	32	170	18	105.9
2R63-40K8	63	40	15.875	8	49990	489.9	155010	1519.1	140	203	200	32	170	18	140.8
2R80-50K6	80	50	15.875	6	42770	419.1	142960	1401	175	194	250	40	210	22	144.2
2R80-50K8	80	50	15.875	8	55620	545.1	194010	1901.3	175	244	250	40	210	22	192.3