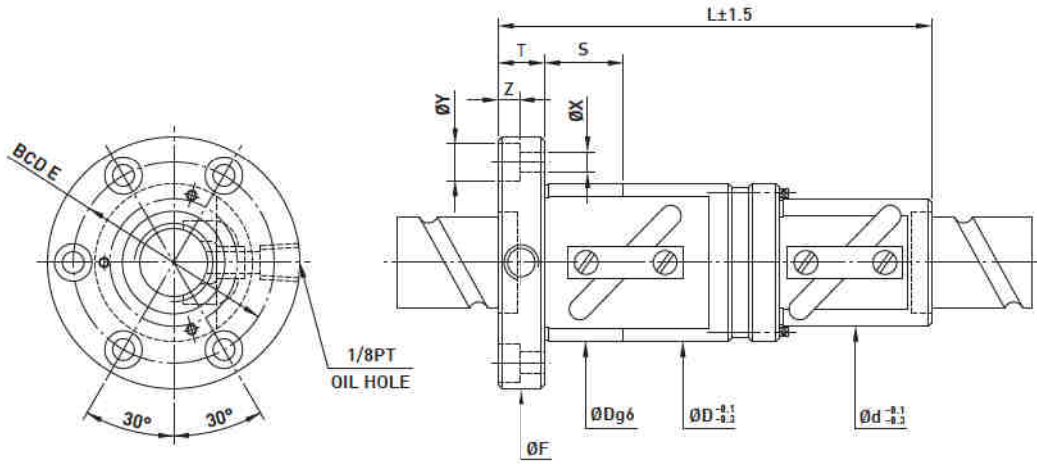


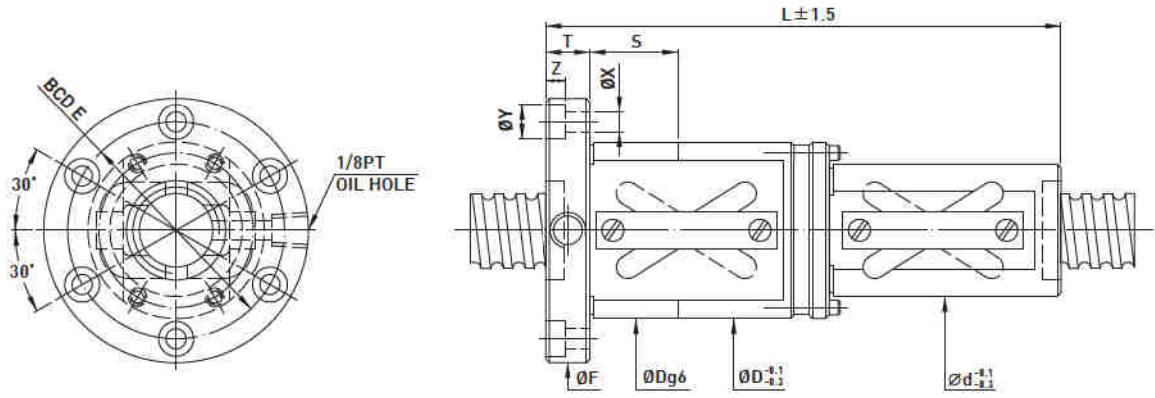
PFDW Type 2 ◀ Standard Product



Model	Size		Ball Dia.	PCD	RD	Circuits	Stiffness K (kgf/µm)	Dynamic Load 1×10^6 revs C (kgf)	Static Load Co (kgf)	Nut			Flange			Bolt			Fit	
	Nominal Dia.	Lead								D	d	L	F	T	BCD-E	X	Y	Z		S
20-20A1	20	20	3.969	20.8	16.744	1.5x1	26	719	1281	48	36	140	72	12	59	5.5	9.5	5.5	24	
25-16B1	25	16	4.763	26	21.132	2.5x1	56	1592	3237	62	45	148	89	16	75	6.6	11	6.5	24	
25-20B1		20		26	21.132	2.5x1	56	1592	3237	62	45	178	89	16	75	6.6	11	6.5	24	
25-25A1		25		26	21.132	1.5x1	32	1019	1927	62	45	166	89	16	75	6.6	11	6.5	24	
32-20B1	20	33		28.132	2.5x1	66	1810	4227	68	54	181	102	16	84	9	14	8.5	30		
32-25B1	25	33		28.132	2.5x1	66	1810	4227	68	54	218	102	16	84	9	14	8.5	30		
32-32A1	32	33		28.132	1.5x1	36	1154	2505	68	54	205	102	16	84	9	14	8.5	30		
40-25B1	25	40	6.350	41.4	34.91	2.5x1	78	2959	7069	84	65	224	126	18	104	11	17.5	11	30	
40-32B1	32			41.4	34.91	2.5x1	78	2959	7069	84	65	276	126	18	104	11	17.5	11	30	
40-40A1	40			41.4	34.91	1.5x1	48	1875	4159	84	65	274	126	18	104	11	17.5	11	30	
50-40A1	40	50		7.938	51.8	43.688	1.5x1	54	2801	6499	106	82	264	152	22	128	13	20	13	40
50-50A1	50				51.8	43.688	1.5x1	60	2801	6499	106	82	320	152	22	128	13	20	13	40

Remark : Stiffness values listed above are derived from theoretical formula while preload is 10% of dynamic load rating.

PFDW Type 2 ◀ Standard Product



Model	Size		PCD	RD	Ball Dia.	Circuits	Stiffness K (kgf/µm)	Dynamic Load 1x10 ⁴ revs C (kgf)	Static Load Co (kgf)	Start type	D	d	L	F	T	BCD-E	X	Y	Z	S
	Nominal Dia.	Lead																		
36-20B2	36	20	37.4	30.91	6.35	2.5x2	87.6	4569	11820	2	94	76	191	136	18	114	11	17.5	11	30
40-25B2	40	25	41.6	34.299	7.144	2.5x2	96.6	5565	14624	2	98	80	230	140	18	118	11	17.5	11	30
40-30B2		30	41.6	34.299	7.144	2.5x2	96	5565	14624	2	98	80	250	140	18	118	11	17.5	11	30
45-25B2	45	25	46.6	39.299	7.144	2.5x2	106.5	5939	16696	2	101	83	230	143	18	121	11	17.5	11	30
45-30B2		30	46.6	39.299	7.144	2.5x2	105.9	5939	16696	2	101	83	250	143	18	121	11	17.5	11	30
50-25B2	50	25	51.6	44.299	7.144	2.5x2	115.2	6190	18441	2	103	85	230	145	18	123	11	17.5	11	40
50-30B2		30	51.6	44.299	7.144	2.5x2	118.2	6190	18441	2	103	85	250	145	18	123	11	17.5	11	40
55-25B2	55	25	56.6	49.299	7.144	2.5x2	127.5	6519	20515	2	105	87	230	147	18	125	11	17.5	11	40
55-30B2		30	56.6	49.299	7.144	2.5x2	127.2	6519	20515	2	105	87	250	147	18	125	11	17.5	11	40

Remark : Stiffness values listed above are derived from theoretical formula while preload is 10% of dynamic load rating.