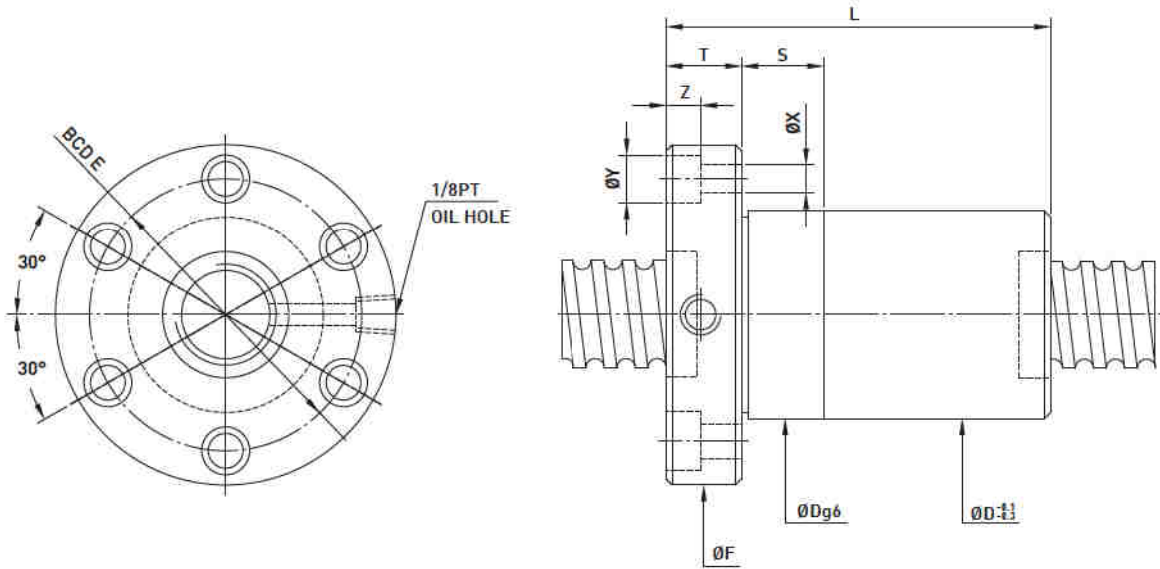


OFSI Type ◀ Standard Product



Model	Size		Ball Dia.	PCD	RD	Circuits	Stiffness K (kgf/μm)	Dynamic Load 1x10 ⁶ revs C (kgf)	Static Load Co (kgf)	Nut		Flange			Bolt				Fit
	Nominal Dia.	Lead								D	L	F	T	BCD-E	X	Y	Z	S	
20-5T3	20	5	3.175	20.6	17.324	3	39	852	1767	34	67	57	12	45	5.5	9.5	5.5	24	
20-6T3		6	3.969	20.8	16.744	3	39	1091	2081	36	77	60	12	48	5.5	9.5	5.5	24	
25-5T3	25	5	3.175	25.6	22.324	3	55	977	2314	40	67	64	12	52	5.5	9.5	5.5	24	
25-6T3		6	3.969	25.8	21.744	3	56	1272	2762	42	77	65	12	53	5.5	9.5	5.5	24	
32-5T3	32	5	3.175	32.6	29.324	3	64	1117	3081	48	67	74	12	60	6.5	11	6.5	24	
32-5T4				4	82	1431	4108	48	77	74	12	60	6.5	11	6.5	24			
32-6T3		6	3.969	32.8	28.744	3	65	1446	3620	50	67	76	12	62	6.5	11	6.5	24	
32-6T4				4	84	1852	4826	50	90	76	12	62	6.5	11	6.5	24			
32-8T3		8	4.763	33	28.132	3	68	1810	4227	52	100	78	16	64	6.6	11	6.5	24	
32-8T4				4	82	2317	5635	52	117	78	16	64	6.6	11	6.5	24			
32-10T3	10	6.350	33.4	26.91	3	68	2539	5327	56	120	82	16	68	6.6	11	6.5	24		
36-8T4	36	8	4.763	37	32.132	4	88	2531	6614	56	116	86	15	70	9	14	8.5	25	
40-5T4	40	5	3.175	40.6	37.324	4	99	1599	5280	54	81	80	16	66	6.6	11	6.5	24	
40-5T6				6	146	2265	7919	54	102	80	16	66	6.6	11	6.5	24			
40-6T4		6	3.969	40.8	36.744	4	100	2136	6420	56	94	88	16	72	9	14	8.5	30	
40-6T6				6	148	3028	9630	56	119	88	16	72	9	14	8.5	30			
40-8T4		8	4.763	41	36.132	4	102	2728	7596	60	117	92	16	75	9	14	8.5	30	
40-10T3				3	76	2959	7069	65	123	96	16	80	9	14	8.5	30			
40-10T4	10	6.350	41.4	34.91	4	101	3789	9426	65	143	96	16	80	9	14	8.5	30		
50-5T4	50	5	3.175	50.6	47.324	4	121	1757	6745	65	81	96	16	80	9	14	8.5	30	
50-5T6				6	177	2490	10117	65	102	96	16	80	9	14	8.5	30			
50-6T4		6	3.969	50.8	46.744	4	123	2388	8250	68	94	100	16	84	9	14	8.5	30	
50-6T6				6	179	3384	12375	68	119	100	16	84	9	14	8.5	30			
50-8T4		8	4.763	51	46.132	4	122	2998	9578	70	120	102	16	85	9	14	8.8	30	
50-10T3				3	95	3397	9256	74	123	114	18	92	11	17.5	11	40			
50-10T4	10	6.350	51.4	44.91	4	124	4350	12341	74	143	114	18	92	11	17.5	11	40		
50-12T3	12	7.938	51.8	43.688	3	94	4420	11047	78	147	118	18	96	11	17.5	11	40		
63-6T4	63	6	3.969	63.8	59.744	4	148	2614	10542	80	96	119	18	98	11	17.5	11	40	
63-6T3				3	220	3704	15813	80	121	119	18	98	11	17.5	11	40			
63-8T4		8	4.763	64	59.132	4	152	3395	12541	82	119	122	18	100	11	17.5	11	40	
63-10T4				4	158	4860	15858	88	147	134	20	110	14	20	13	40			
63-12T3		12	7.938	64.8	56.688	3	114	5059	14470	92	150	138	20	114	14	20	13	40	

Remark : Stiffness values listed above are derived from theoretical formula while preload is 10% of dynamic load rating.