



BREVINI[®]

Motion Systems

JMPVAZ - JMPVD Electronic remote voltage control unit

Technical Catalogue

January
2018

web edition



JMPVAZ joystick is a strong and compact device, whose ergonomic shape is handily organised.

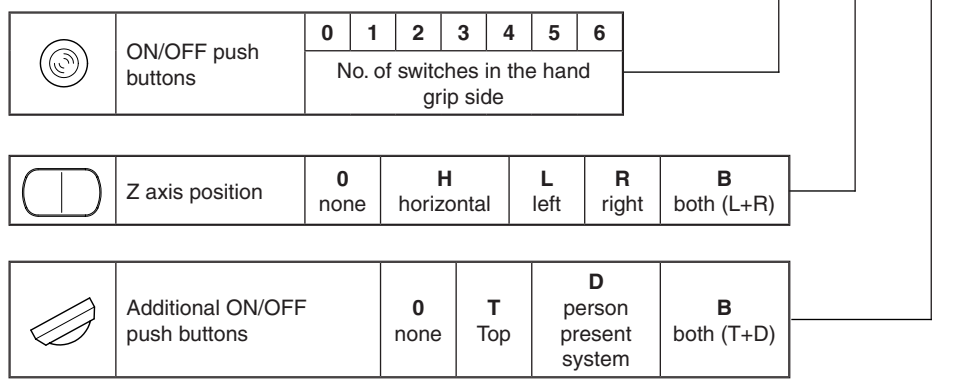
The person present system switch and many other remote control functions can be implemented and operated conveniently. It is developed to meet mobile machinery market requirements, where it is increasingly important to handle the power transmission supply with integrated remote control.

JMPVAZ is simple to fit and replace and is made up of a standard module with two proportional axes and a hand grip that can house several combinations of other proportional axes (up to 4) and ON/OFF outputs.

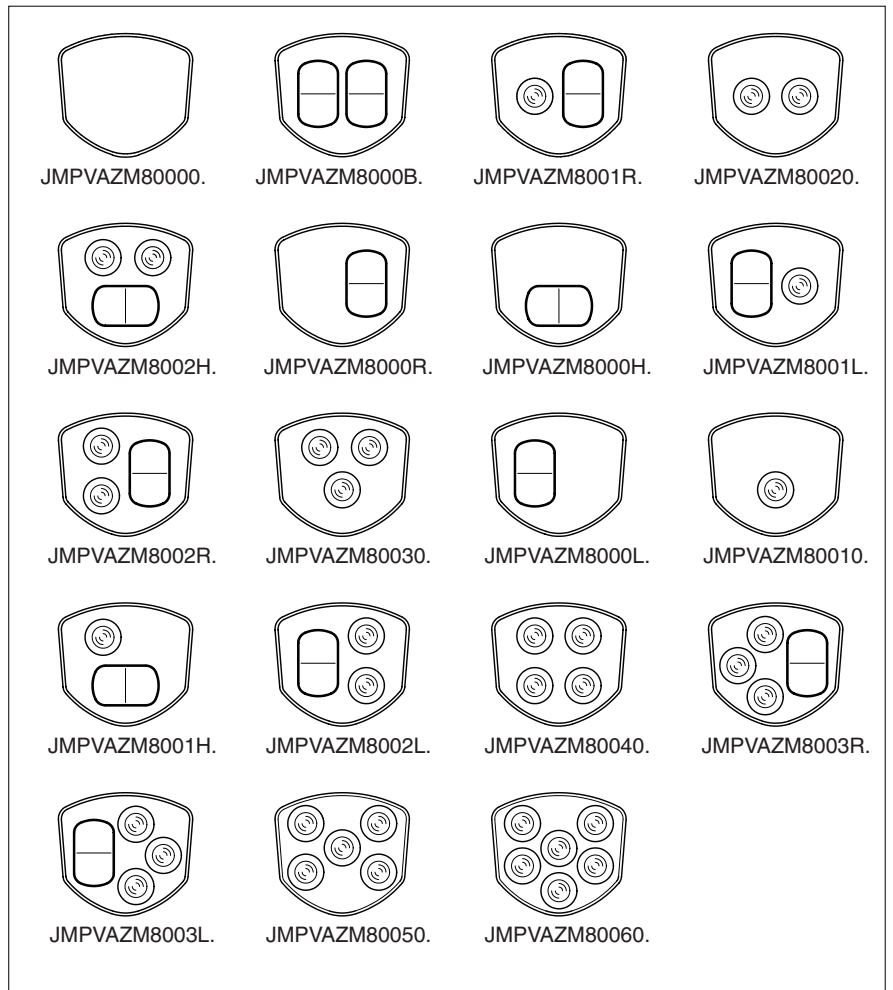
This joystick allows all the electronic features of ramp generator function, electronic flow adjustment, and dead band compensation (only for proportional axes).

ORDERING CODE

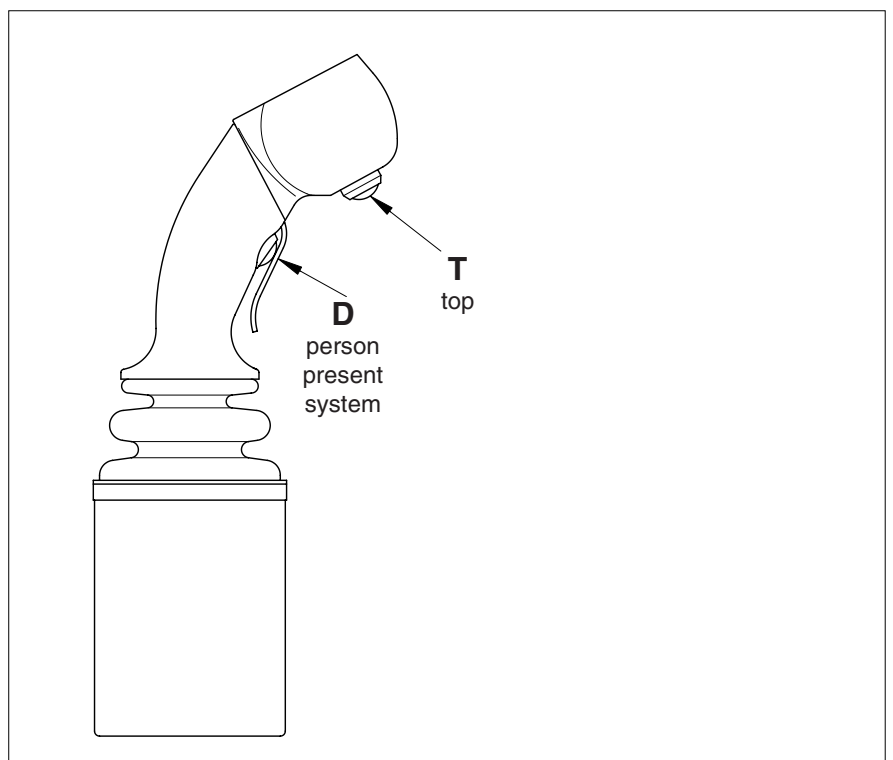
JMPVAZM800 **Y** **Z** **W**



ON/OFF push buttons (Y)
and Z axis position (Z)



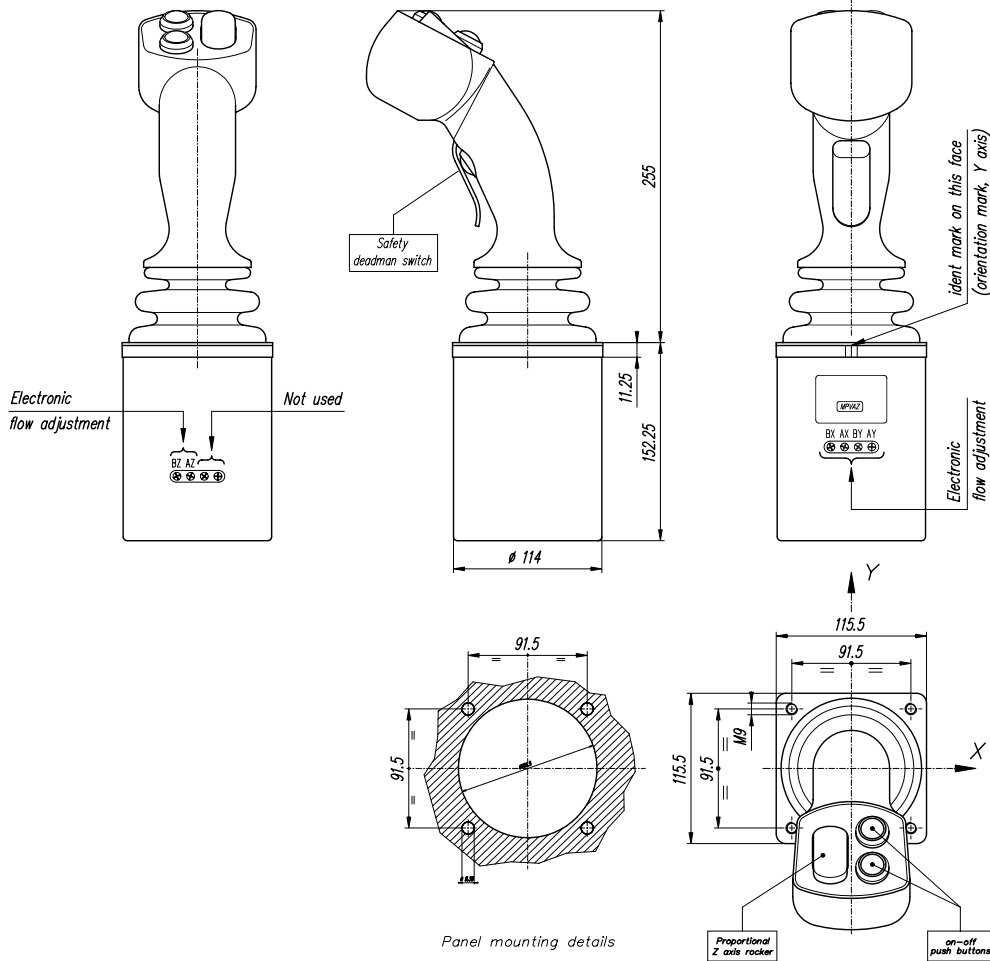
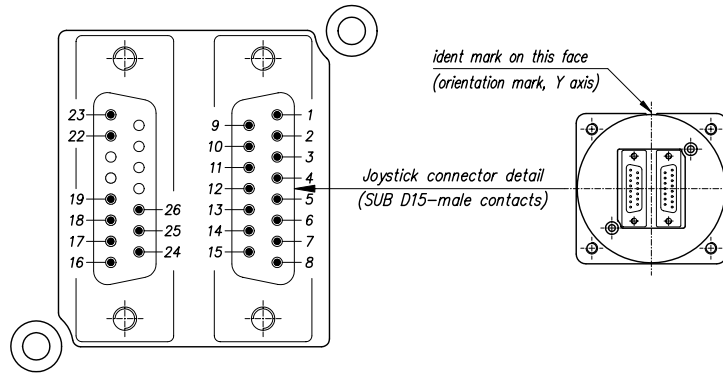
Additional ON/OFF push
buttons (W)



Dimensions and electrical details

JMPVAZM8002RD

- 2 ON/OFF push buttons in hand grip side
- Z axis in right position
- person present system push button



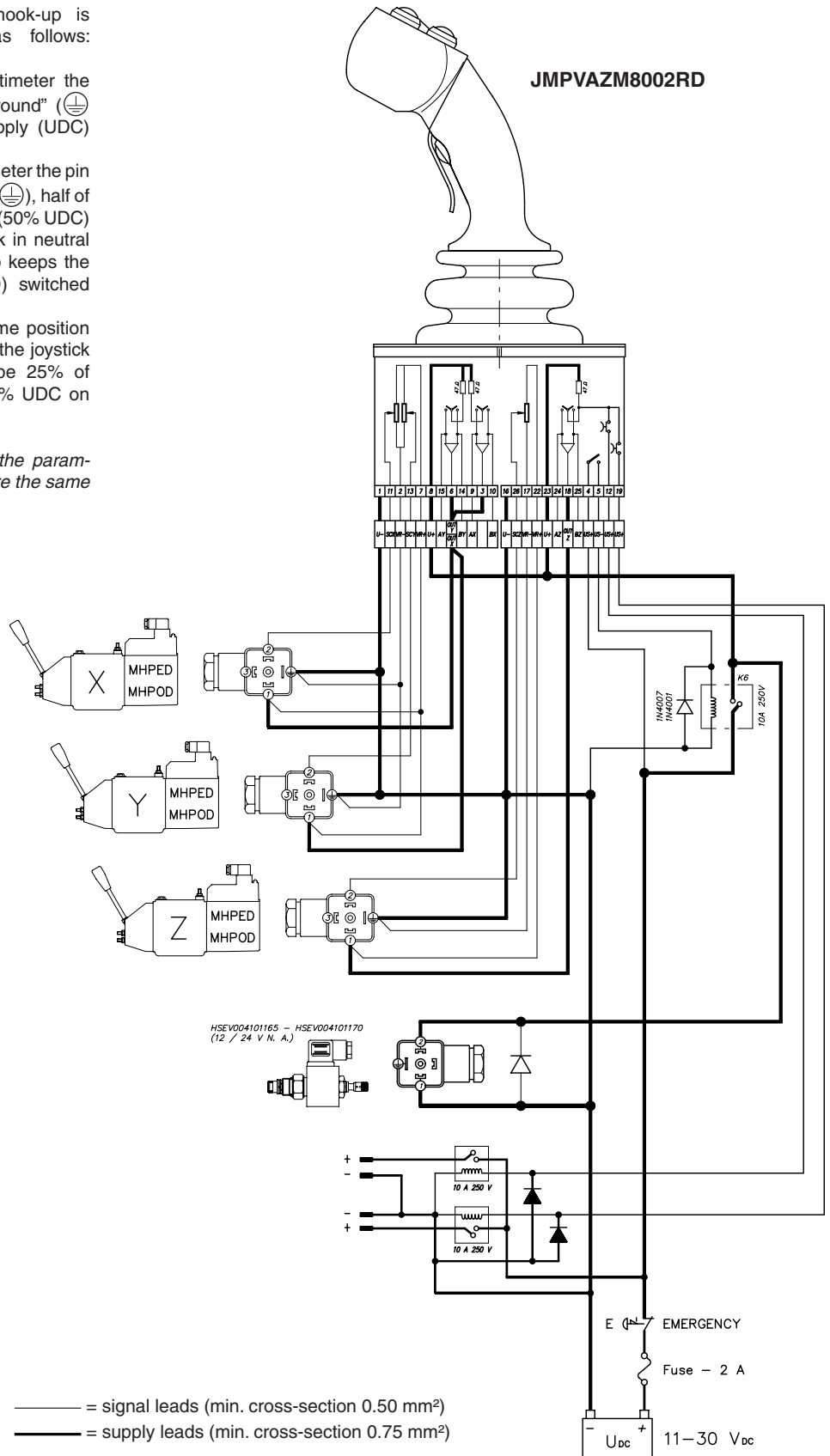
- | | | |
|---|---|---|
| 1 = Negative supply voltage | 11 = Signal control, X Axis | 21 = US- on-off output (max. load 30 mA) |
| 2 = Negative signal | 12 = (free) | 22 = Positive signal control |
| 3 = X axis output + | 13 = Signal control, Y Axis | 23 = Positive supply voltage |
| 4 = US+ (Safety system output) | 14 = "B" port, directional output (max. load 30 mA), Y axis | 24 = "A" port, directional output (max. load 30 mA), Z axis |
| 5 = US- (Safety system output) | 15 = "A" port, directional output (max. load 30 mA), Y axis | 25 = "B" port, directional output (max. load 30 mA), Z axis |
| 6 = Y axis output + | 16 = Negative supply voltage | 26 = Signal control, Z Axis |
| 7 = Positive signal control | 17 = Negative signal | 27 = (free) |
| 8 = Positive supply voltage | 18 = Z axis output + | 28 = (free) |
| 9 = "A" port, directional output (max. load 30 mA), X axis | 19 = (free) | 29 = (free) |
| 10 = "B" port, directional output (max. load 30 mA), X axis | 20 = US+ on-off output (max. load 30 mA) | 30 = (free) |

Electrical system

In order to verify if the hook-up is correct, please proceed as follows:

- 1) By touching with the multimeter the pin no. 1 and the pin "ground" (\oplus), the tension voltage supply (UDC) must be read.
- 2) By touching with the multimeter the pin no. 2 and the pin "ground" (\oplus), half of the tension voltage supply (50% UDC) must be read, with joystick in neutral position and if the hookup keeps the module (MHPED/MHPED) switched on.
- 3) With multimeter in the same position as per point 2, by moving the joystick the signal control must be 25% of UDC on one side and 75% UDC on the other side

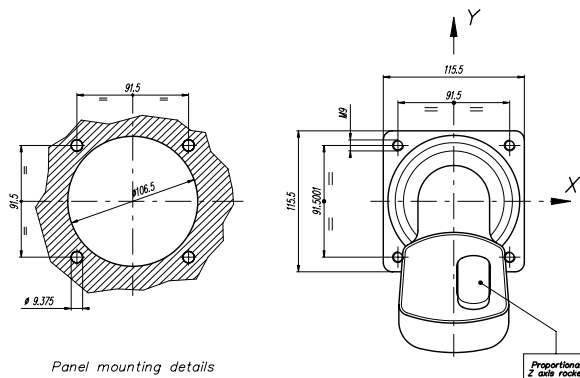
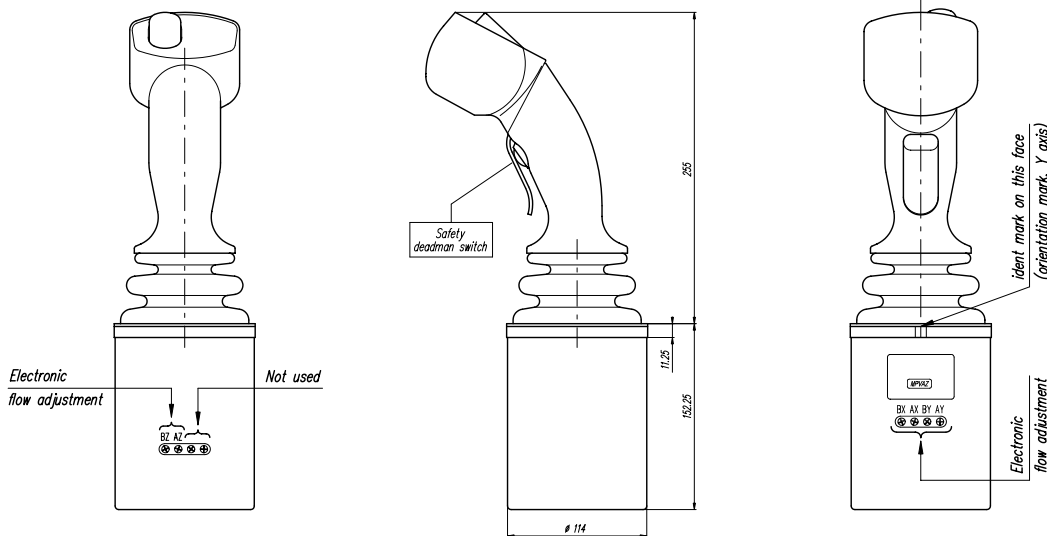
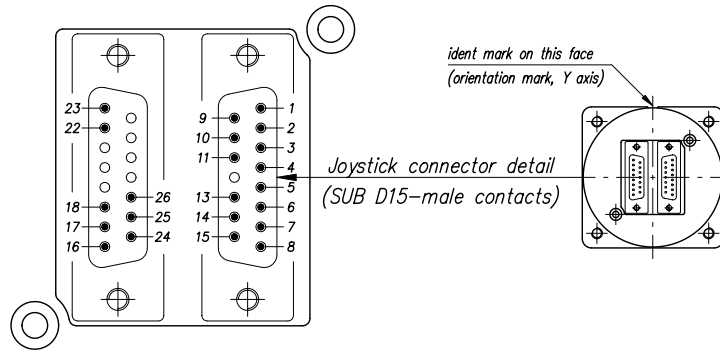
The methods of control and the parameters as per points 1), 2), 3) are the same for all kinds of our joysticks.



Dimensions and electrical details

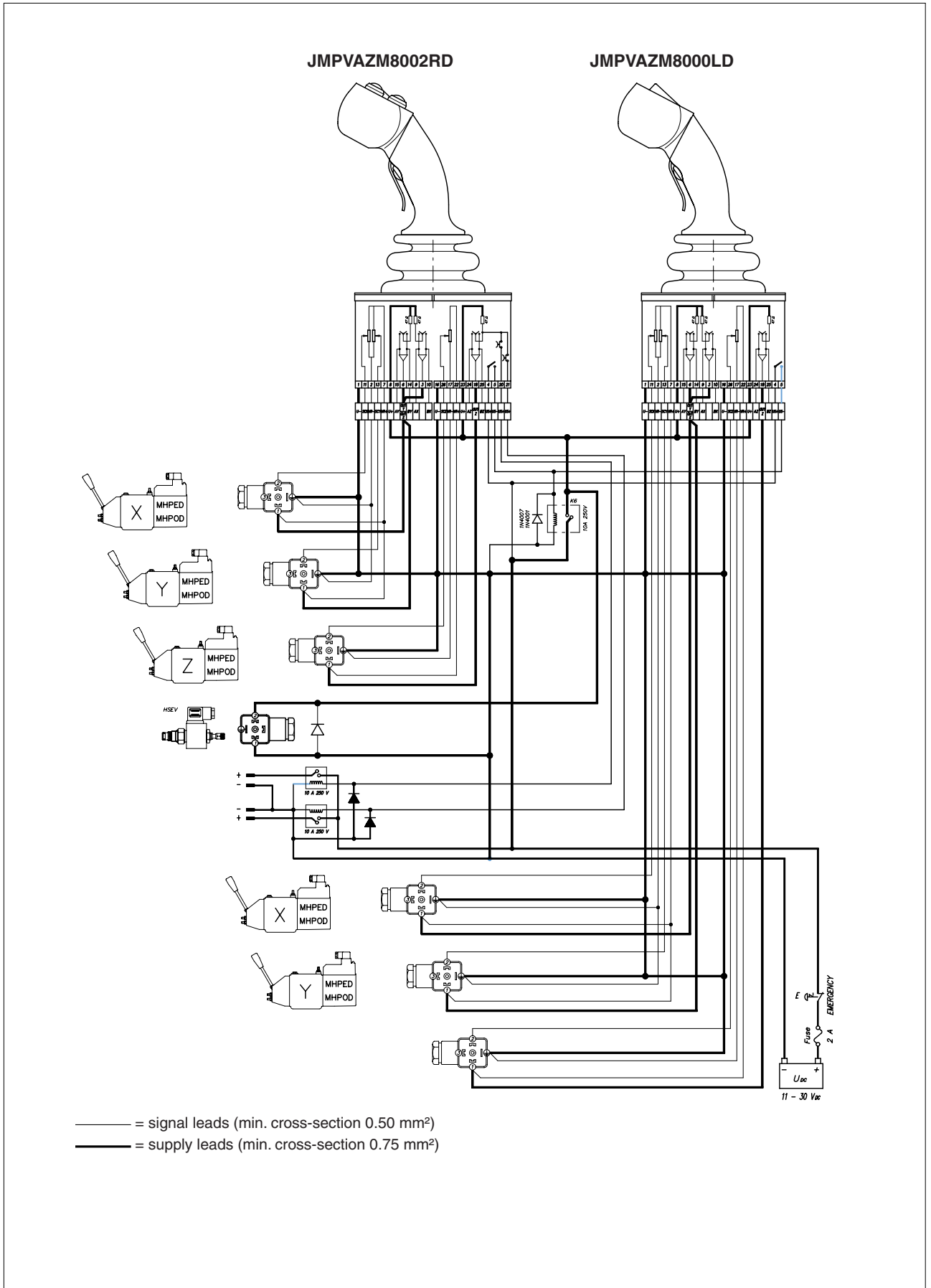
JMPVAZM8000LD

- NO push buttons in hand grip side
- Z axis in left position
- person present system push button



- | | | |
|---|---|---|
| 1 = Negative supply voltage | 11 = Signal control, X Axis | 21 = (free) |
| 2 = Negative signal | 12 = (free) | 22 = Positive signal control |
| 3 = X axis output + | 13 = Signal control, Y Axis | 23 = Positive supply voltage |
| 4 = US+ (Safety output) | 14 = "B" port, directional output (max. load 30 mA), Y axis | 24 = "A" port, directional output (max. load 30 mA), Z axis |
| 5 = US- (Safety output) | 15 = "A" port, directional output (max. load 30 mA), Y axis | 25 = "B" port, directional output (max. load 30 mA), Z axis |
| 6 = Y axis output + | 16 = Negative supply voltage | 26 = Signal control, Z Axis |
| 7 = Positive signal control | 17 = Negative signal | 27 = (free) |
| 8 = Positive supply voltage | 18 = Z axis output + | 28 = (free) |
| 9 = "A" port, directional output (max. load 30 mA), X axis | 19 = (free) | 29 = (free) |
| 10 = "B" port, directional output (max. load 30 mA), X axis | 20 = (free) | 30 = (free) |

Electrical system



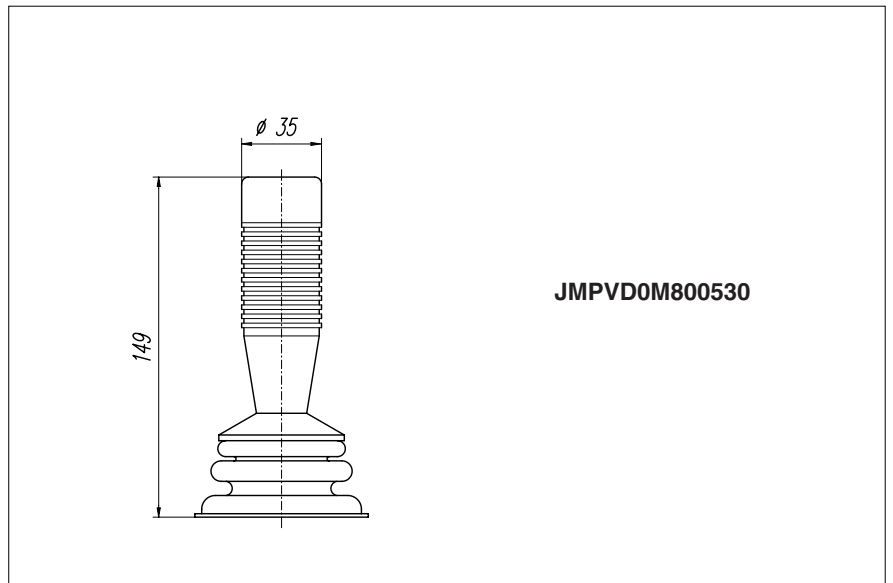
JMPVD joystick is a strong and compact device, whose ergonomic shape is handily organised.

The person present system switch and many other remote control functions can be implemented and operated conveniently. It is developed to meet mobile machinery market requirements, where it is increasingly important to handle the power transmission supply with integrated remote control.

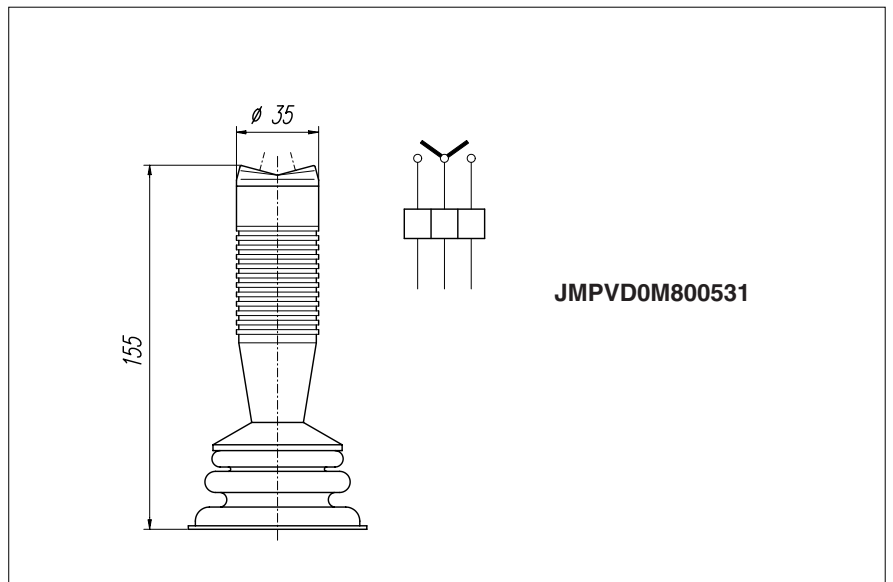
JMPVD is simple to fit and replace and is made up of a standard module with two proportional axes and a hand grip that can house several combinations of other ON/OFF outputs.

This joystick allows all the electronic features of ramp generator function, electronic flow adjustment, and dead band compensation (only for proportional axes).

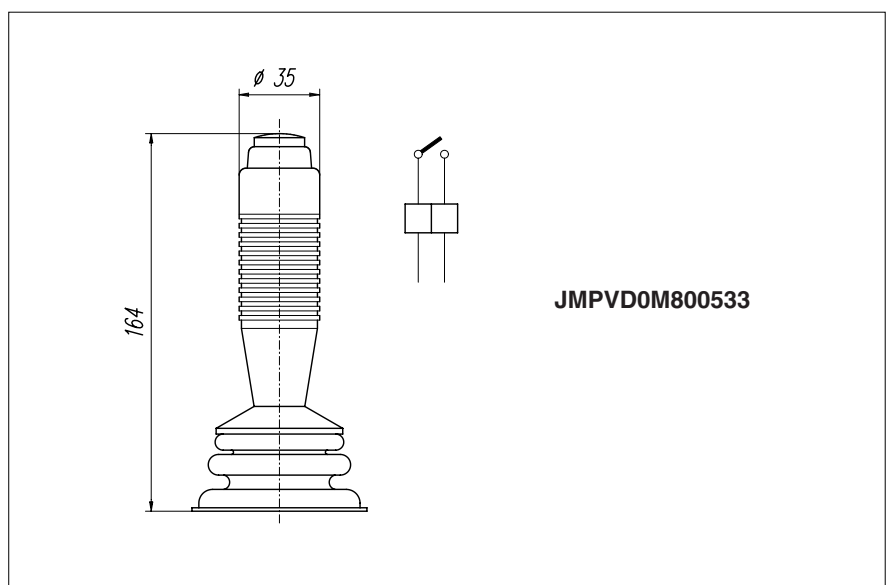
K handle
(no switch)



H handle
(rocker switch)

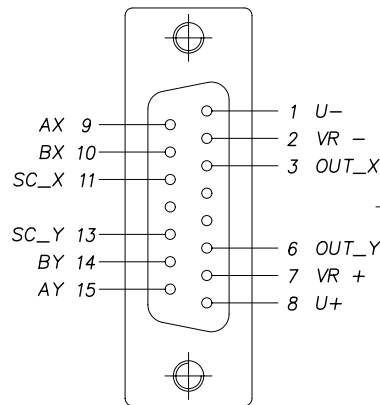


L handle
(person present system switch)



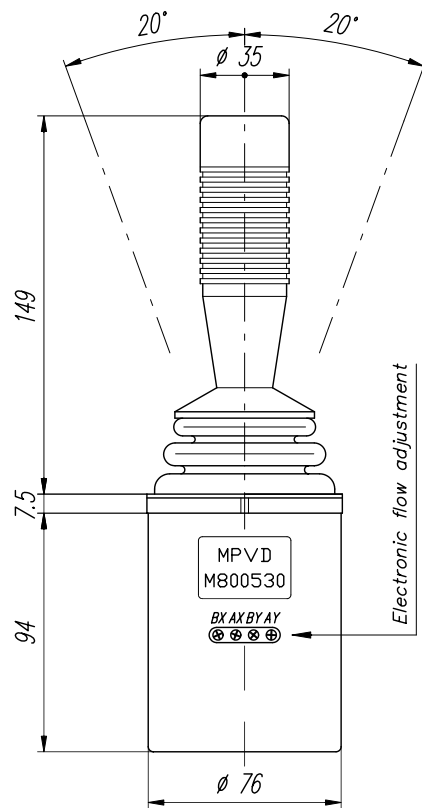
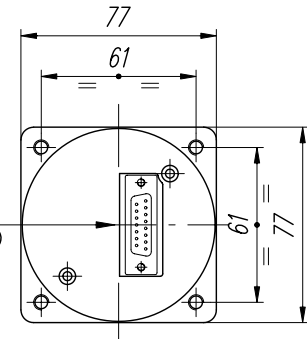
Dimensions and electrical details

“K” Handle (no switch)
JMPVD0M800530

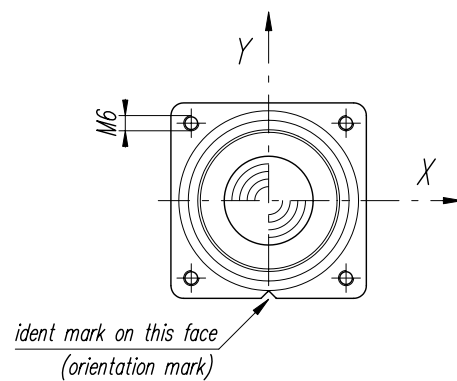
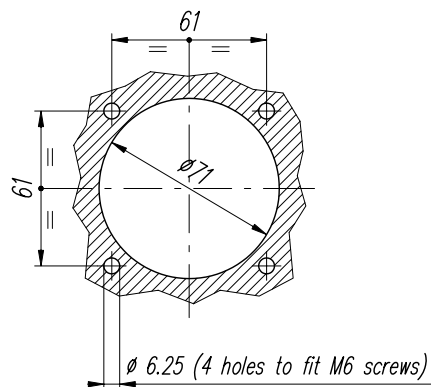


- 1 = Negative supply voltage
- 2 = Negative signal
- 3 = X axis signal control
- 4 = (free)
- 5 = (free)
- 6 = Y axis output +
- 7 = Positive signal control
- 8 = Positive supply voltage
- 9 = “A” port, directional output (max. load 30 mA), X axis
- 10 = “B” port, directional output (max. load 30 mA), X axis
- 11 = Signal control, X Axis
- 12 = (free)
- 13 = Signal control, Y Axis
- 14 = “B” port, directional output (max. load 30 mA), Y axis
- 15 = “A” port, directional output (max. load 30 mA), Y axis

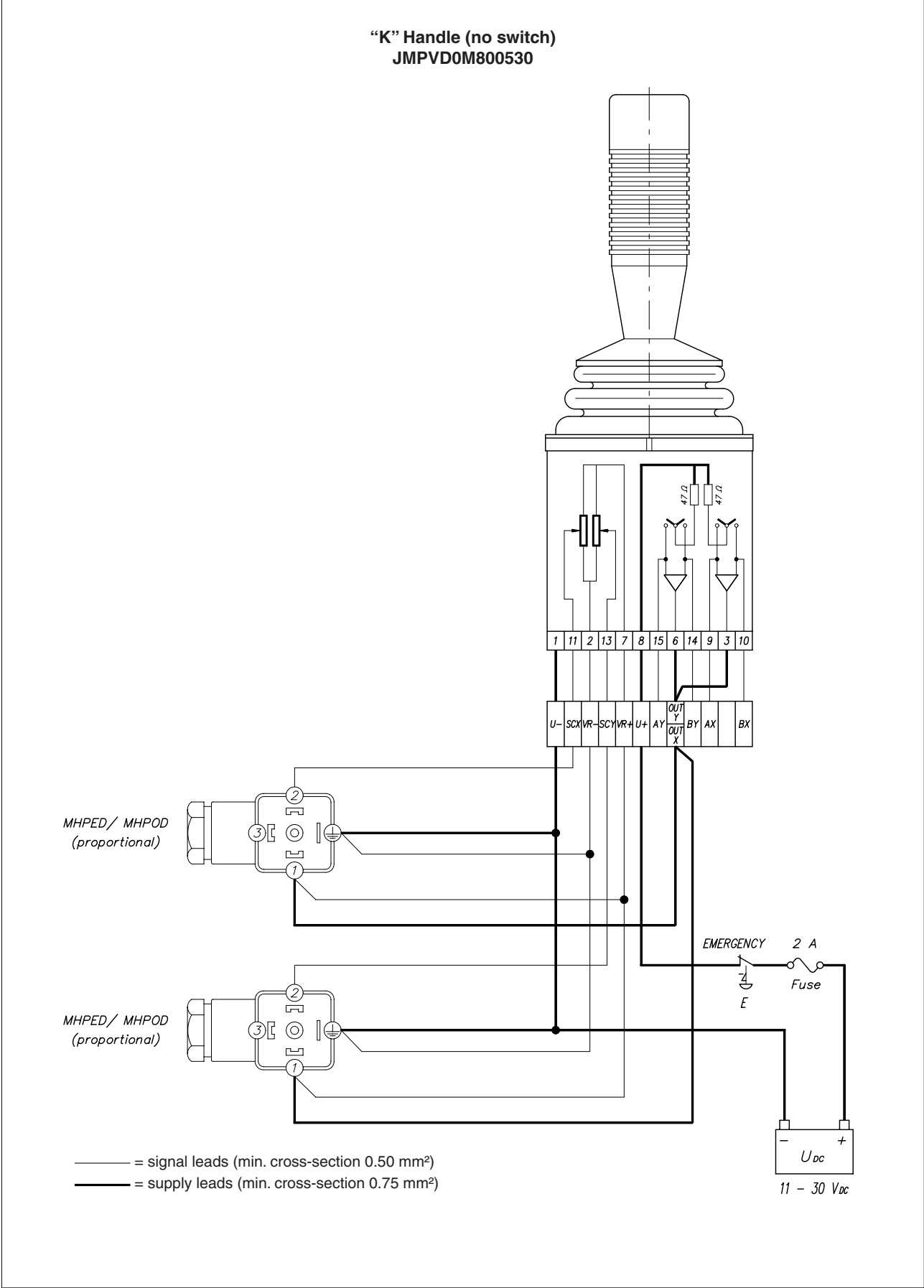
Joystick connector detail
(SUB D15-male contacts)



PANEL MOUNTING DETAILS

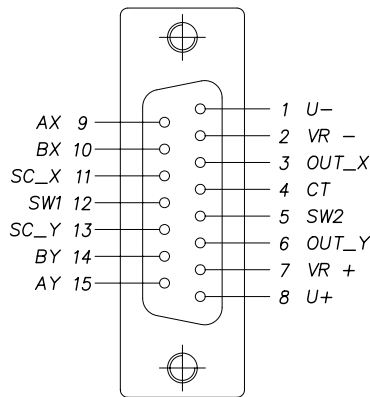


Electrical system



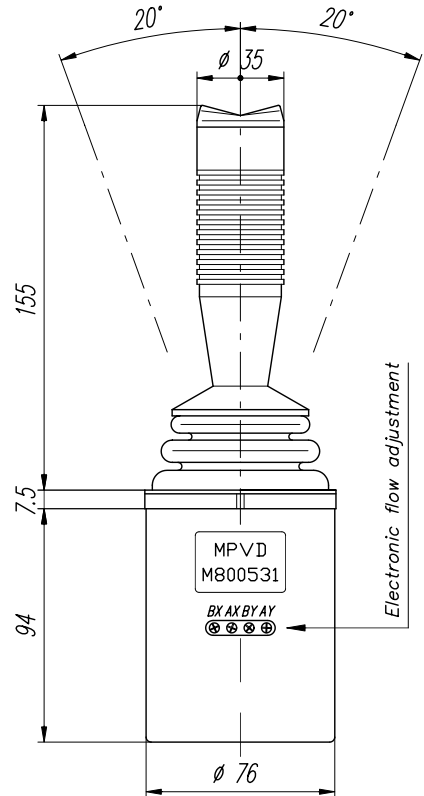
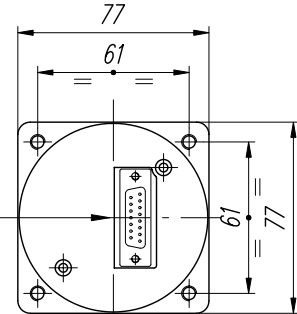
Dimensions and electrical details

**“H” Handle (rocker switch)
JMPVD0M800531**



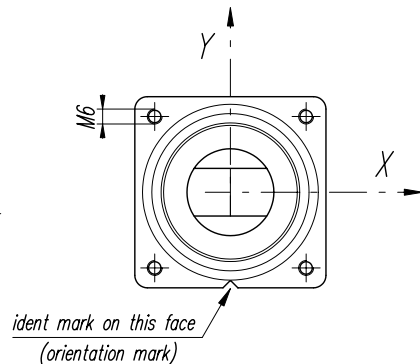
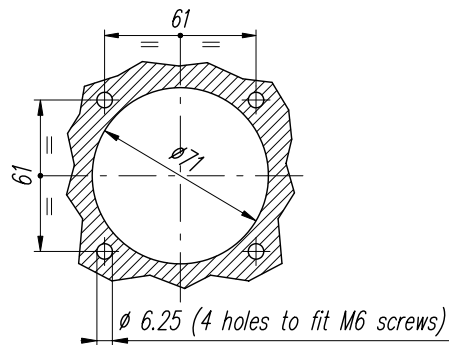
- 1 = Negative supply voltage
- 2 = Negative signal
- 3 = X axis signal control
- 4 = Common terminal switch on/off/on
- 5 = Switch on (max. load = 50 mA)
- 6 = Y axis signal control
- 7 = Positive signal control
- 8 = Positive supply voltage
- 9 = “A” port, directional output (max. load 30 mA), X axis
- 10 = “B” port, directional output (max. load 30 mA), X axis
- 11 = Signal control, X Axis
- 12 = Switch on (max. load = 50 mA)
- 13 = Signal control, Y Axis
- 14 = “B” port, directional output (max. load 30 mA), Y axis
- 15 = “A” port, directional output (max. load 30 mA), Y axis

Joystick connector detail
(SUB D15-male contacts)

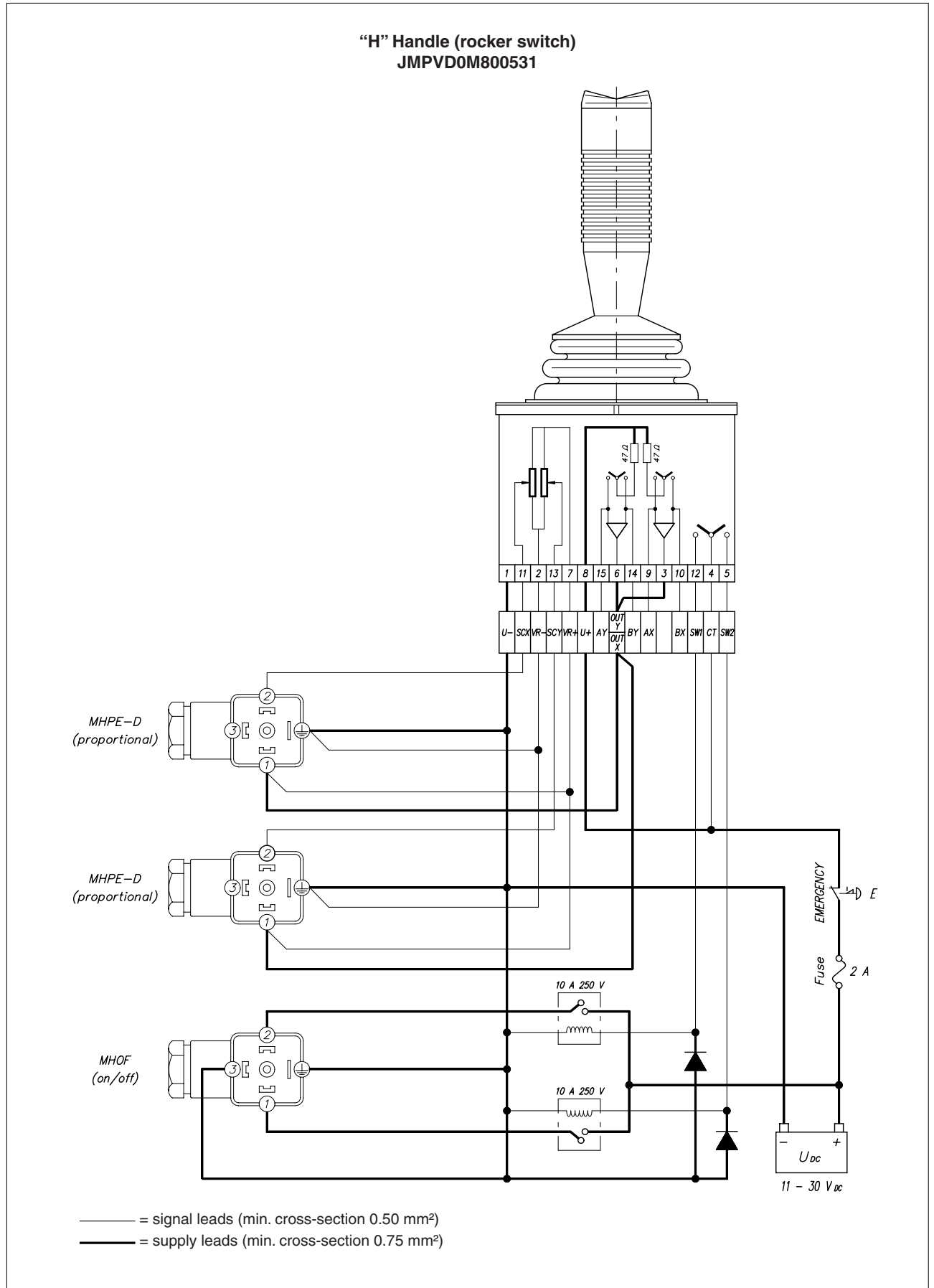


Electronic flow adjustment

PANEL MOUNTING DETAILS

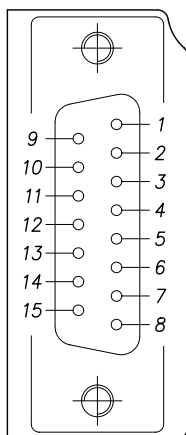


Electrical system



Dimensions and electrical details

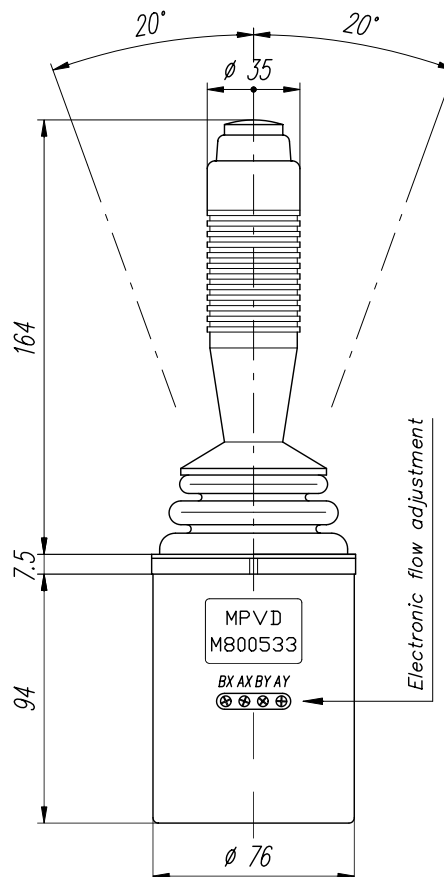
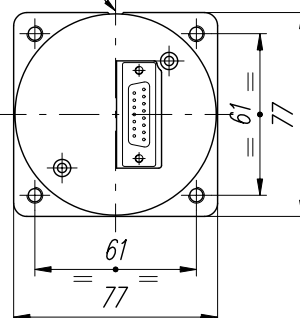
“L” Handle (person present system switch)
JMPVD0M800533



- 1 = Negative supply voltage
- 2 = Negative signal
- 3 = Output X axis (+)
- 4 = Common terminal switch
- 5 = Switch on (max. load = 50 mA)
- 6 = Output Y axis (+)
- 7 = Positive signal
- 8 = Positive supply voltage
- 9 = “A” port, directional output (max. load 30 mA), X axis
- 10 = “B” port, directional output (max. load 30 mA), X axis
- 11 = Signal control, X Axis
- 12 = (free)
- 13 = Signal control, Y Axis
- 14 = “B” port, directional output (max. load 30 mA), Y axis
- 15 = “A” port, directional output (max. load 30 mA), Y axis

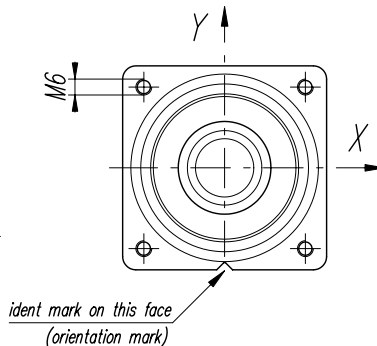
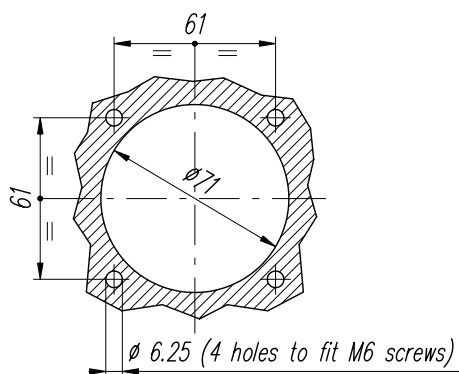
Joystick connector detail
(SUB D15–male contacts)

ident mark on this face
(orientation mark)

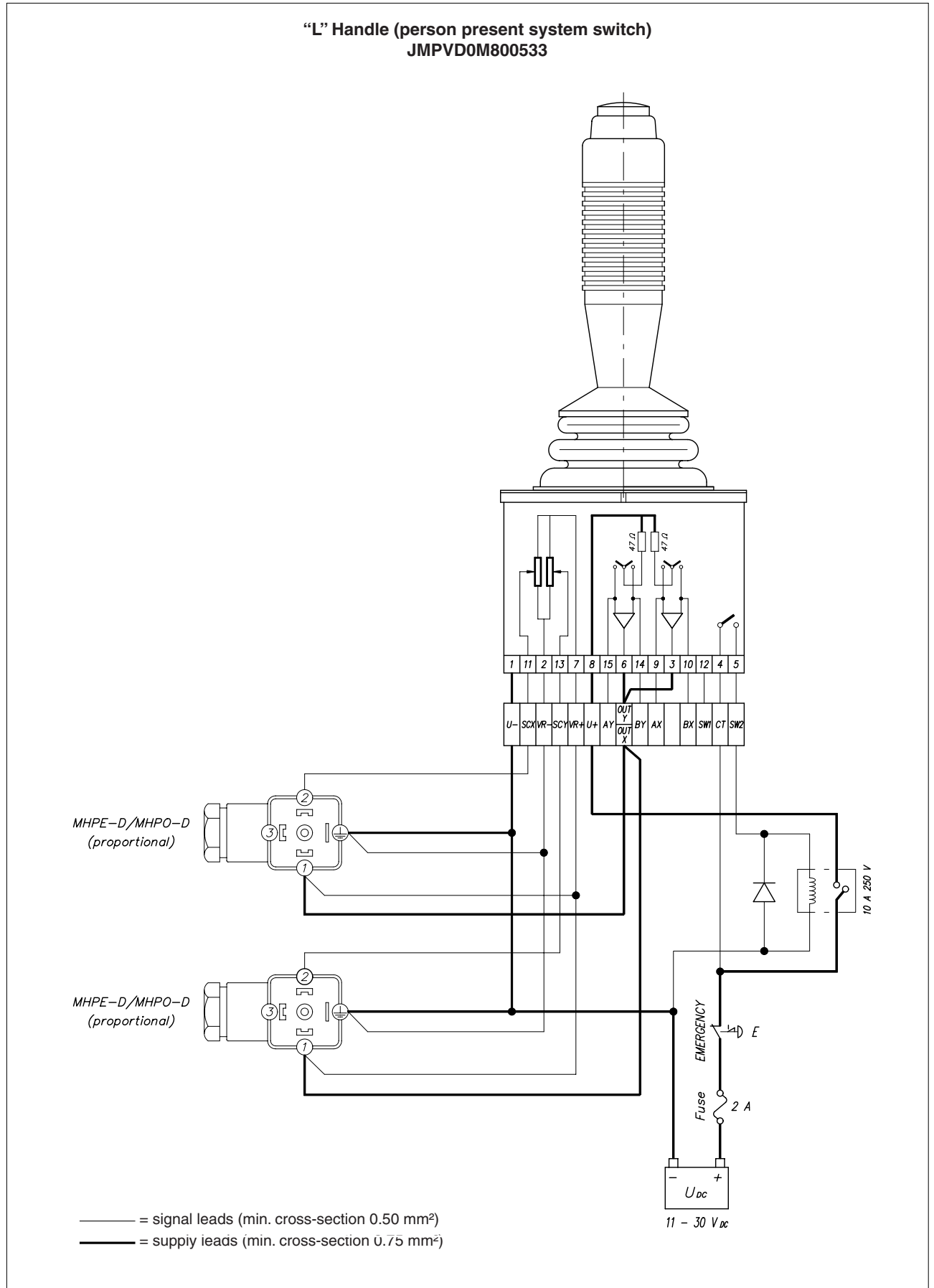


Electronic flow adjustment

PANEL MOUNTING DETAILS



Electrical system





BREVINI[®]

Motion Systems

Rev.01

Dana Motion Systems Italia S.r.l.

Fluid Power Division

Sede operativa: Via Giulio Natta 1, 42124 Reggio Emilia - Italy
Tel: +39.0522.270711 - Fax: +39.0522.505856

Sede legale: Via Luciano Brevini 1/A, 42124 Reggio Emilia - Italy
Tel: +39.0522.9281 - Fax: +39.0522.928300

www.dana.com/brevini - dana.re@dana.com

