

Preparation unit—Lubricator

AL, BL Series

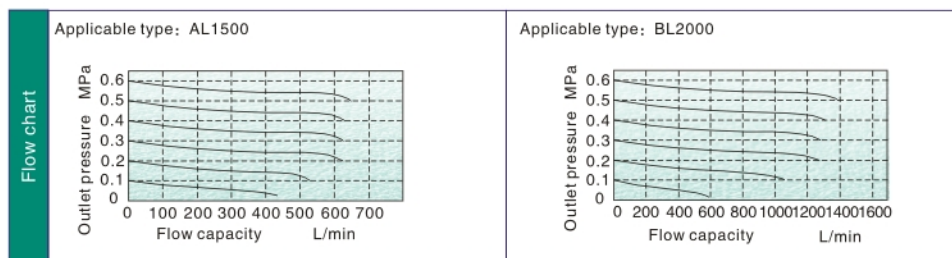
Specification

Model	AL1500	AL2000	BL2000	BL3000	BL4000
Fluid	Air				
Port size	1/8"	1/4"	1/4"	3/8"	1/2"
Pressure range	0.05~0.9MPa(7~130Psi)				
Proof pressure	1.5 MPa(215Psi)				
Temperature range	-20~70℃				
Capacity of oil bowl	25CC		90CC		
Recommended lubricator	ISO VG 32 or equivalent				
Weight	170g		250g		

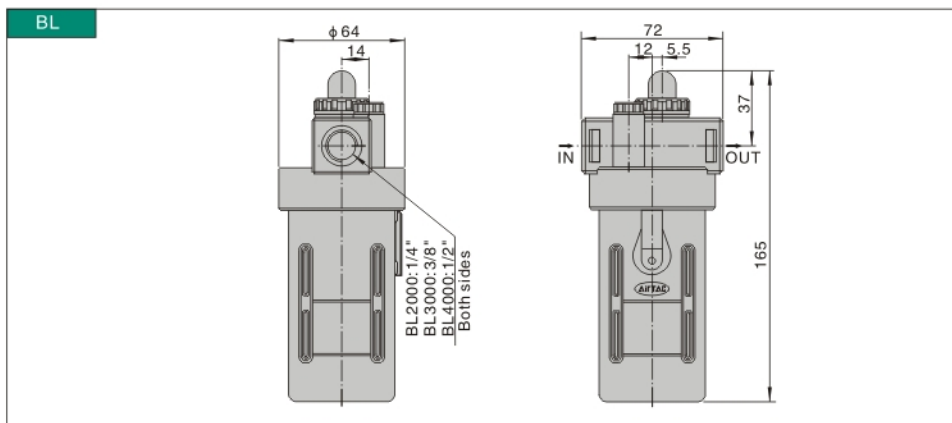
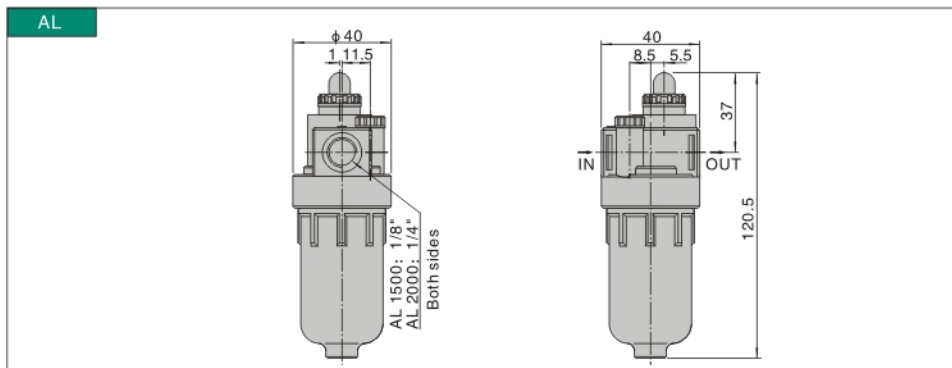
Ordering code

AL		2000		—		P	
Model		Port size		Thread			
AL: A Series lubricator		1500: 1/8"		P: PT			
		2000: 1/4"		T: NPT			
BL: B Series lubricator		2000: 1/4"		G: G			
		3000: 3/8"					
		4000: 1/2"					

Flow chart



Dimensions



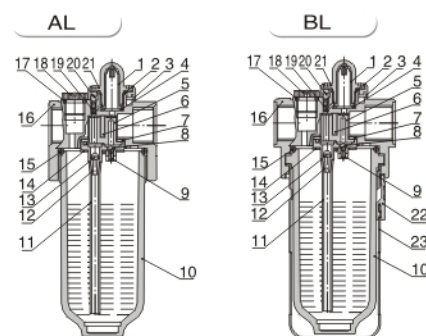
Symbol



Product feature

1. The structure is delicate and compact;
2. The quantity of oil dripping can be directly observed through transparent inspection sheet;
3. BL has high-strength plastic shields, which is more safe and reliable to use;
4. The pressure loss and the flow of mist-start is low.

Inner structure and material of major parts



No.	Item	Material
1	Drip pipe	PC
2	Dripper O-ring	NBR
3	Oil adjusting dial	POM
4	Adjusting ring	NBR
5	Lubricator seat	POM
6	Partition	PU
7	Lubricator kit gasket	NBR
8	Adjustor	HDPE
9	Return spring	Stainless steel
10	Oil bowl	PC
11	Sunk tube	PU
12	Lubricator kit	POM
13	Ball	Stainless steel
14	Lubricator fixed plate	SPCC
15	Oil bowl O-ring	NBR
16	Body	Aluminum alloy
17	Oil filling nut O-ring	NBR
18	Oil filling plug	Steel
19	Needle spring	Stainless steel
20	Injector pin	Bronze
21	Check-dome	PC
22	Bowl guard switch	POM
23	Bowl guard	PA6