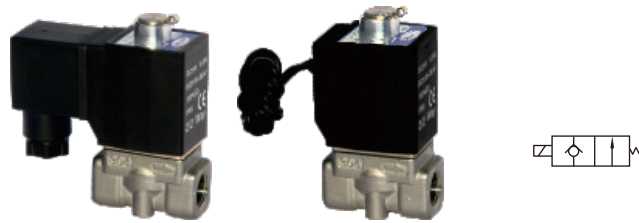


Fluid control valve(2/2way)

2KL Series (Direct-acting and normally opened)



Ordering code

Ordering code of valves

2KL H 030 08 A □ T

① ② ③ ④ ⑤ ⑥ ⑦

| ① Model | ② Pressure condition | ③ Size series | ④ Port size | ⑤ Voltage | ⑥ Electrical entry | ⑦ Thread type |
|--|-------------------------------------|-----------------|----------------------|--|-------------------------------|---------------|
| 2KL: 2/2 way direct-acting and normally opened | H: High pressure Blank: Standard | 030: 030 Series | 06: 1/8" 08: 1/4" | A: AC220V B: DC24V C: AC110V E: AC24V F: DC12V | Blank: Terminal I: Grommet | T: NPT |
| | | 050: 050 Series | 10: 3/8" 15: 1/2" | | | |

Ordering code of accessories

Ordering code of accessories is the same as 2S series valve's, Please refer to P147 for details of ordering code.

Specification

| Model\Item | Port size [Note1] | Orifice size (Φ mm) | Cv | Valid area or section (mm ²) | Weight [Note2](g) | Max.operating pressure differentia | | Proof pressure | |
|------------|----------------------|------------------------|-----|---|----------------------|------------------------------------|-----|----------------|-----|
| | | | | | | MPa | psi | MPa | psi |
| 2KLH030 | -06 | 1/8" | 2.0 | 0.18 | 3.0 | 1.5 | 220 | 3.0 | 450 |
| | -08 | 1/4" | | | | | | | |
| 2KL030 | -06 | 1/8" | 3.0 | 0.33 | 6.0 | 0.7 | 100 | 3.0 | 450 |
| | -08 | 1/4" | | | | | | | |
| 2KLH050 | -10 | 3/8" | 4.0 | 0.55 | 10.0 | 1.5 | 220 | 3.0 | 450 |
| | -15 | 1/2" | | | | | | | |
| 2KL050 | -10 | 3/8" | 5.0 | 0.83 | 15.0 | 0.7 | 100 | 3.0 | 450 |
| | -15 | 1/2" | | | | | | | |

[Note1] NPT thread is available.

[Note2] The weight in the table is the terminal valve's weight, 2KL030 series grommet valve's weight is 10g less than terminal's. 2KL050series grommet valve's weight is 20g less than terminal's.

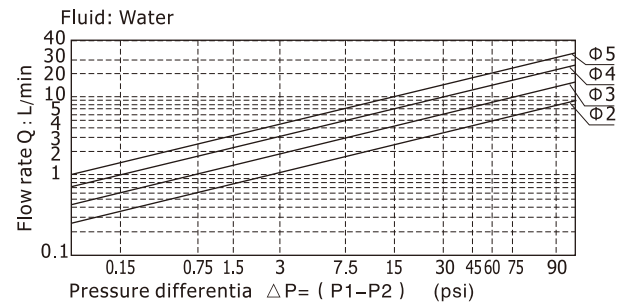
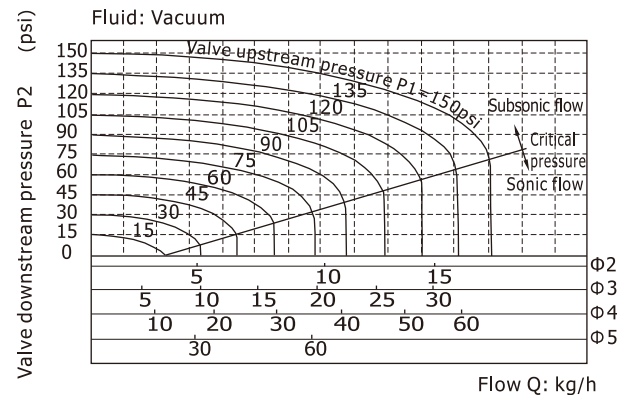
Fluid control valve(2/2way)

2KL Series (Direct-acting and normally opened)

Product feature

1. Direct acting and normally opened type 2/2 way solenoid valve.
Its high sensibility allows it to change direction quickly;
2. It has wide pressure range, including standard high pressure (H) to choose from;
3. It is compact, small size and light weight.
It is easy to install and dismantle.
4. The valve body is made of SUS304 . Its coil has a Heat resistance classification of Class H. The standard seal material is PTFE(Teflon) which is suitable for a variety of working medium such as water with high temperature and vapour.
5. The protection class of the coil is IP65 and there is a choice for grommet or terminal electrical entry .

Flow chart



Valve's specification

| Acting | Direct acting | | | | |
|-----------------------------------|-----------------------------------|-------------|-------|-------|---------|
| Initial state | Normally opened | | | | |
| Adaptable fluid | Steam, High temperature Water,Oil | | | | |
| Viscosity limit | Under 20CST | | | | |
| Ambient and fluid temperature(°C) | | Oil | Water | Steam | Ambient |
| | Max. | 150 | 150 | 183 | 100 |
| | Min. | -10 [Note1] | 1 | - | -20 |

[Note1] 50CST or less.

Specification of coil

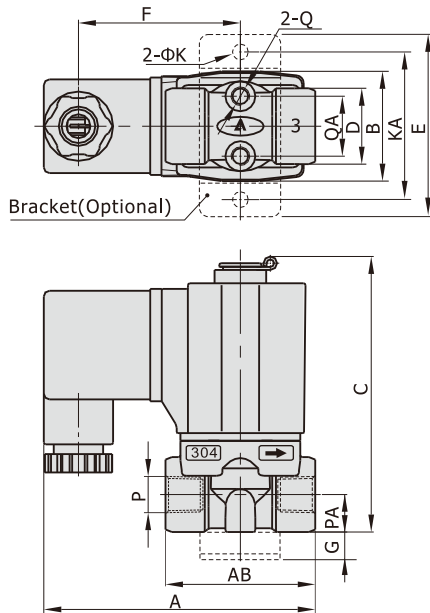
| Valve type | Coil type | Power type | Frequency (Hz) | Voltage range | Electrical entry | Power Consumption (VA/W) | Insulation | Temp. rise(°C) |
|------------|------------------|------------|----------------|---------------|-------------------|--------------------------|------------|----------------|
| 2KL□030 | CDA116 CLA116 | AC | 50 | ± 15% | Terminal (CDA) | 15.0VA | Class H | 50 |
| | | | 60 | | | 11.0VA | | 40 |
| - | 6.5W | 30 | | | | | | |
| 2KL□050 | CDA170 CLA170 | AC | 50 | ± 15% | | Grommet (CLA) | | 35.0VA |
| | | | 60 | | 30.0VA | | | 60 |
| - | 10.5W | 40 | | | | | | |
| | | DC | - | ± 10% | | | | |

Fluid control valve(2/2way)

2KL Series (Direct-acting and normally opened)

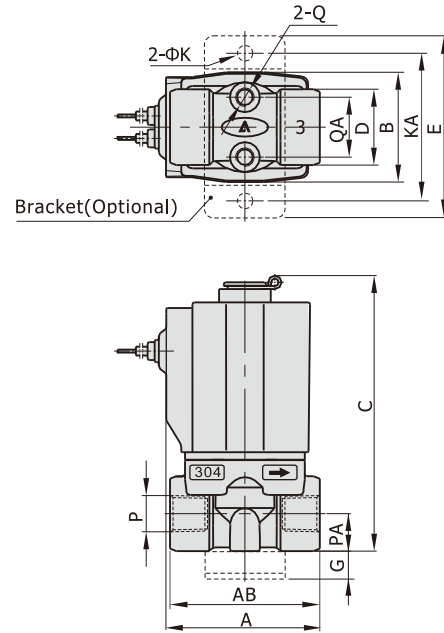
Dimensions

2KL□030 (Terminal)

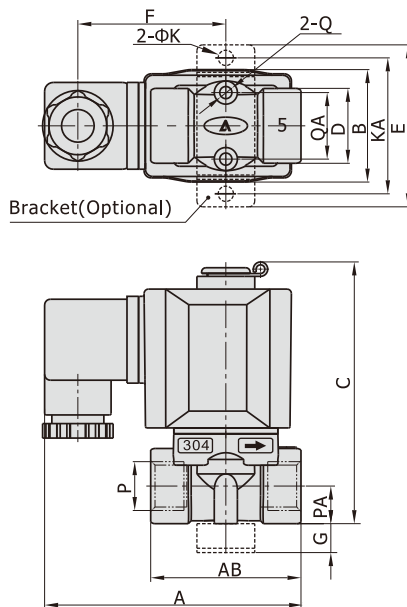


2KL□030(Grommet)

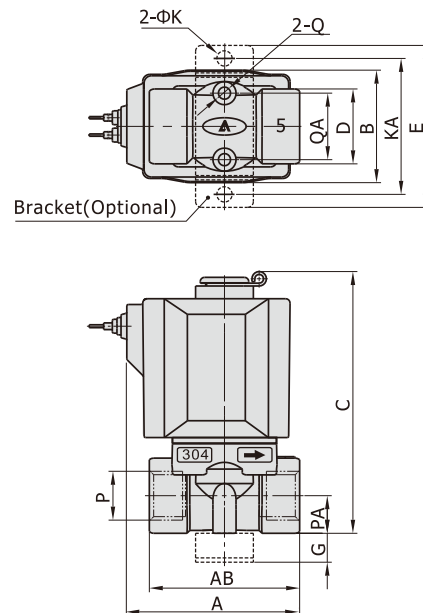
[Unit: mm]



2KL□050 (Terminal)



2KL□050(Grommet)



| Model\Item | A | AB | B | C | D | E | F | G | K | KA | P | PA | Q | QA |
|------------|------|----|------|----|----|----|------|----|-----|----|------|----|----|----|
| 2KL□030-06 | 72.5 | 40 | 29.5 | 76 | 20 | 49 | 43.5 | 10 | 5.3 | 40 | 1/8" | 10 | M5 | 16 |
| 2KL□030-08 | 72.5 | 40 | 29.5 | 76 | 20 | 49 | 43.5 | 10 | 5.3 | 40 | 1/4" | 10 | M5 | 16 |
| 2KL□050-10 | 89.5 | 52 | 39 | 92 | 26 | 56 | 51 | 10 | 5.3 | 48 | 3/8" | 13 | M5 | 23 |
| 2KL□050-15 | 89.5 | 52 | 39 | 92 | 26 | 56 | 51 | 10 | 5.3 | 48 | 1/2" | 13 | M5 | 23 |

| Model\Item | A | AB | B | C | D | E | G | K | KA | P | PA | Q | QA |
|------------|----|----|------|----|----|----|----|-----|----|------|----|----|----|
| 2KL□030-06 | 41 | 40 | 29.5 | 76 | 20 | 49 | 10 | 5.3 | 40 | 1/8" | 10 | M5 | 16 |
| 2KL□030-08 | 41 | 40 | 29.5 | 76 | 20 | 49 | 10 | 5.3 | 40 | 1/4" | 10 | M5 | 16 |
| 2KL□050-10 | 60 | 52 | 39 | 92 | 26 | 56 | 10 | 5.3 | 48 | 3/8" | 13 | M5 | 23 |
| 2KL□050-15 | 60 | 52 | 39 | 92 | 26 | 56 | 10 | 5.3 | 48 | 1/2" | 13 | M5 | 23 |