

# 3D SERIES

## NORMALISED AND MONOBLOCK CENTRIFUGAL ELECTROPUMPS CONFORMING TO EN 733 (EX DIN 24255)

Cast iron monoblock (3D SERIES) and normalised centrifugal electropumps conforming to EN 733 (3DS-3DP SERIES).

### APPLICATIONS

- Handling of water and clean, chemically non-aggressive liquids
- Water supply
- Pressurisation
- Washing and industrial plants
- Water circulation in climate control systems
- Irrigation and agriculture

### TECHNICAL DETAILS

- Highly robust construction
- Stainless steel impeller
- High efficiency

### PUMP TECHNICAL DATA

- Maximum working pressure: 10 bar
- Temperature of the liquid:
  - 5°C ÷ +90°C
  - 5°C ÷ +110°C (versions H-HS-HW-HSW)
  - 5°C ÷ +120°C (version E)
- MEI > 0.4

For further information please see our Data Book on the web site [www.ebaraeurope.com](http://www.ebaraeurope.com)

### MOTOR TECHNICAL DATA

- IE3 high energy-efficiency motors starting from 0.75kW
- Self-ventilated 2-pole and 4-pole asynchronous motors
- Class of insulation F (B for high temperatures)
- IP 55 protection degree
- 230V ±10% 50Hz single phase voltage, 230/400 ±10% three-phase voltage (up to 4 kW included), 50 Hz, 400/690V ± 10% (from 5.5 kW and above) three phase voltage, 50 Hz
- Protection to be arranged by the user

### MATERIALS

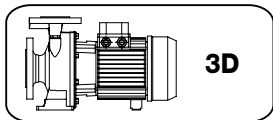
- Cast iron pump body EN-GJL-250-EN 1561
- Impeller in:
  - AISI 304 steel for SERIES 3D 32, 40, 50
  - AISI 316 microcast steel for SERIES 3D 65
- AISI 304 steel shaft (part in contact with the liquid)
- Mechanical seal in:
  - Ceramic/Carbon/NBR (standard)
  - Special versions: see p. 165 for 3D SERIES 2 poles, p. 192 for 3D SERIES 4 poles

### SPECIAL VERSIONS

- Special voltages
- 3DPF version (only hydraulic part) available upon request

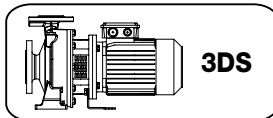


### Available in 3 versions with 2 and 4 pole motors



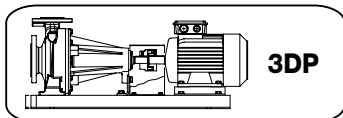
**3D**

Monobloc with extended motor shaft



**3DS**

Monobloc with standard motor and rigid joint



**3DP**

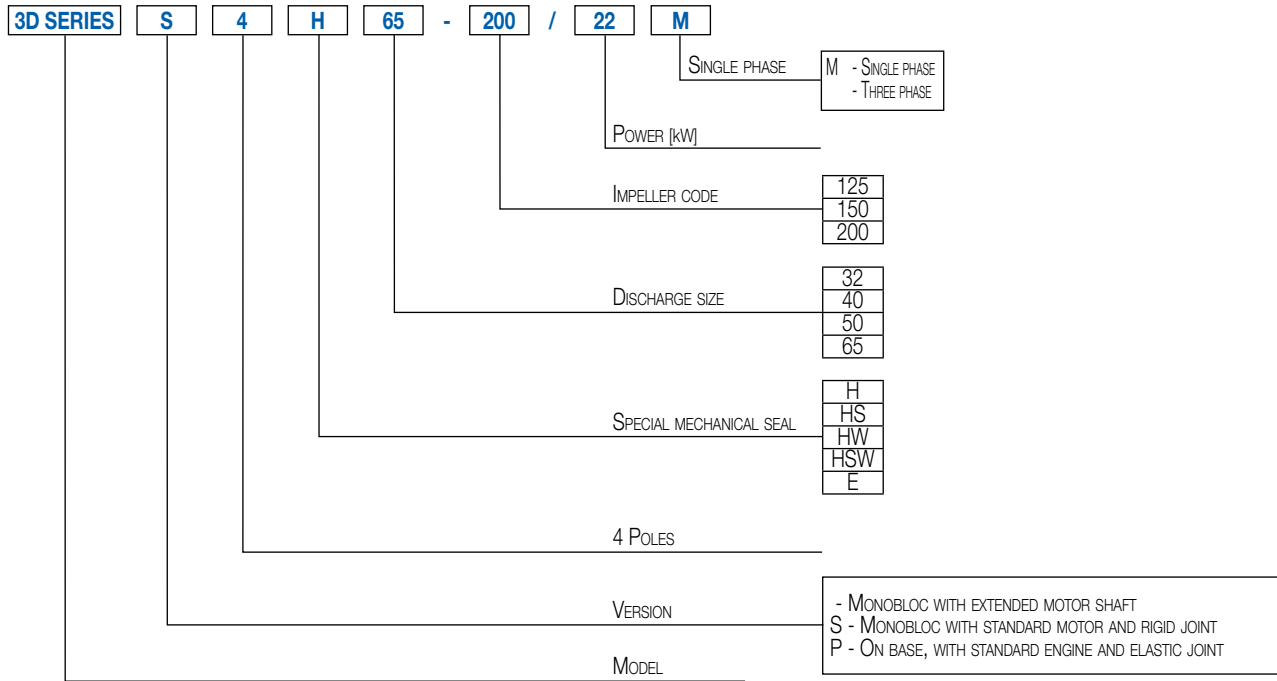
On base, with standard motor and flexible coupling



# 3D SERIES

## NORMALISED AND MONOBLOCK CENTRIFUGAL ELECTROPUMPS CONFORMING TO EN 733 (EX DIN 24255)

### IDENTIFICATION CODE



The content of this publication should not be considered mandatory. EBARA Pumps Europe S.p.A. reserves the right to change the content without prior notice.

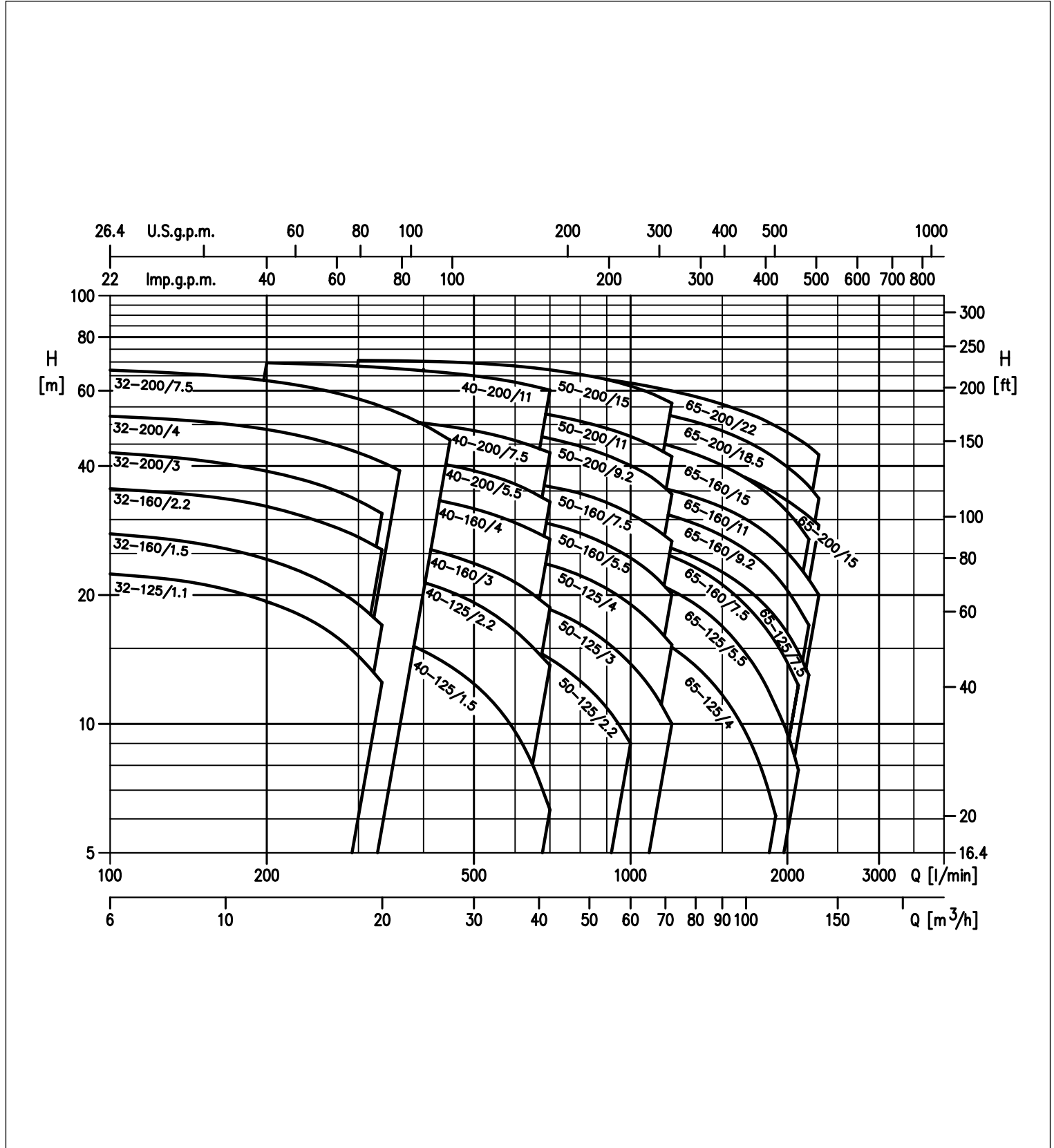


# 3D SERIES

NORMALISED AND MONOBLOCK CENTRIFUGAL ELECTROPUMPS  
CONFORMING TO EN 733 (EX DIN 24255)

PERFORMANCE RANGE at 2900 min<sup>-1</sup> (according to ISO 9906 Attachment A)

2 Poles



The content of this publication should not be considered mandatory. EBARA Pumps Europe S.p.A. reserves the right to change the content without prior notice.

# 3D SERIES

## NORMALISED AND MONOBLOCK CENTRIFUGAL ELECTROPUMPS CONFORMING TO EN 733 (EX DIN 24255)

PERFORMANCE CHART 3D(.) SERIES 32

2 Poles

Model	P <sub>2</sub>		Q = Flow Rate									
	[HP]	[kW]	l/min m <sup>3</sup> /h	100 6	150 9	200 12	250 15	300 18	333 20	360 21.6	400 24	450 27
			H=Head [m]									
3D(.) 32-125/1.1 (M)	1.5	1.1		22.4	21.2	19.3	17.1	14.4	12.5	-	-	-
3D(.) 32-160/1.5 (M)	2	1.5		27.5	25.9	23.7	21.3	18.5	16.4	-	-	-
3D(.) 32-160/2.2 (M)	3	2.2		35.4	34.1	32.2	29.8	27.3	25.5	-	-	-
3D(.) 32-200/3.0	4	3		43.0	41.0	39.0	36.5	33.0	31.0	-	-	-
3D(.) 32-200/4.0	5.5	4		52.5	51.0	49.0	46.0	43.0	41.0	39.0	-	-
3D(.) 32-200/7.5	10	7.5		67.0	65.0	63.0	61.0	57.0	55.0	53.0	50.0	46.0

PERFORMANCE CHART 3D(.) SERIES 40

2 Poles

Model	P <sub>2</sub>		Q = Flow Rate									
	[HP]	[kW]	l/min m <sup>3</sup> /h	200 12	250 15	300 18	350 21	400 24	450 27	500 30	600 36	700 42
			H=Head [m]									
3D(.) 40-125/1.5 (M)	2	1.5		18.2	17.6	16.8	15.9	14.8	13.7	12.4	9.6	6.3
3D(.) 40-125/2.2 (M)	3	2.2		24.4	23.9	23.2	22.4	21.4	20.4	19.2	16.5	13.7
3D(.) 40-160/3.0	4	3		29.4	28.7	27.8	26.8	25.8	24.8	23.7	21.4	18.7
3D(.) 40-160/4.0	5.5	4		37.2	36.5	35.7	34.8	33.8	32.8	31.8	29.5	27.0
3D(.) 40-200/5.5	7.5	5.5		44.5	44.0	43.0	42.0	41.0	40.0	39.0	36.3	33.0
3D(.) 40-200/7.5	10	7.5		53.5	53.0	52.0	51.5	50.5	49.5	48.5	46.0	43.0
3D(.) 40-200/11	15	11		70.0	69.0	68.5	67.5	67.0	66.0	65.0	63.0	60.0

PERFORMANCE CHART 3D(.) SERIES 50

2 Poles

Model	P <sub>2</sub>		Q = Flow Rate									
	[HP]	[kW]	l/min m <sup>3</sup> /h	400 24	500 30	600 36	700 42	800 48	900 54	1000 60	1100 66	1200 72
			H=Head [m]									
3D(.) 50-125/2.2 (M)	3	2.2		18.0	17.0	15.7	14.2	12.6	10.9	9.0	-	-
3D(.) 50-125/3.0	4	3		21.5	20.8	19.8	18.5	17.1	15.5	13.8	12.0	10.0
3D(.) 50-125/4.0	5.5	4		25.8	25.3	24.5	23.5	22.2	20.7	19.0	17.2	15.3
3D(.) 50-160/5.5	7.5	5.5		32.0	31.5	30.5	29.3	27.9	26.2	24.4	22.4	20.0
3D(.) 50-160/7.5	10	7.5		38.2	37.6	36.9	35.8	34.5	32.9	30.9	28.9	26.7
3D(.) 50-200/9.2	12.5	9.2		-	49.5	48.0	46.5	44.5	42.5	40.0	37.6	34.4
3D(.) 50-200/11	15	11		-	55.5	54.5	52.5	51.0	49.0	47.0	44.5	42.0
3D(.) 50-200/15	20	15		-	69.5	68.5	67.0	65.5	63.5	61.5	59.0	56.0

PERFORMANCE CHART 3D(.) SERIES 65

2 Poles

Model	P <sub>2</sub>		Q = Flow Rate									
	[HP]	[kW]	l/min m <sup>3</sup> /h	600 36	700 42	1000 60	1300 78	1600 96	1900 114	2100 126	2200 132	2300 138
			H=Head [m]									
3D(.) 65-125/4.0	5.5	4		20.4	19.8	17.2	14.0	10.4	6.0	-	-	-
3D(.) 65-125/5.5	7.5	5.5		-	25.0	22.5	19.4	15.5	11.0	8.0	-	-
3D(.) 65-125/7.5	10	7.5		-	29.6	27.5	24.7	21.5	17.8	14.7	13.0	-
3D(.) 65-160/7.5	10	7.5		-	29.0	26.6	23.5	19.8	15.5	12.3	-	-
3D(.) 65-160/9.2	12.5	9.2		-	34.7	32.4	29.6	26.3	22.2	18.8	17.0	-
3D(.) 65-160/11	15	11		-	39.0	37.0	34.0	31.0	27.0	23.0	22.0	20.0
3D(.) 65-160/15	20	15		-	46.0	44.0	41.5	38.4	34.6	31.9	30.5	29.0
3D(.) 65-200/15	20	15		-	51.0	47.0	43.0	38.6	33.3	29.2	27.0	-
3D(.) 65-200/18.5	25	18.5		-	58.0	55.0	51.0	47.0	41.5	37.9	35.9	33.6
3D(.) 65-200/22	30	22		-	65.5	62.5	58.5	54.5	49.5	46.0	44.5	42.5

(M) Single phase version only for 3D SERIES

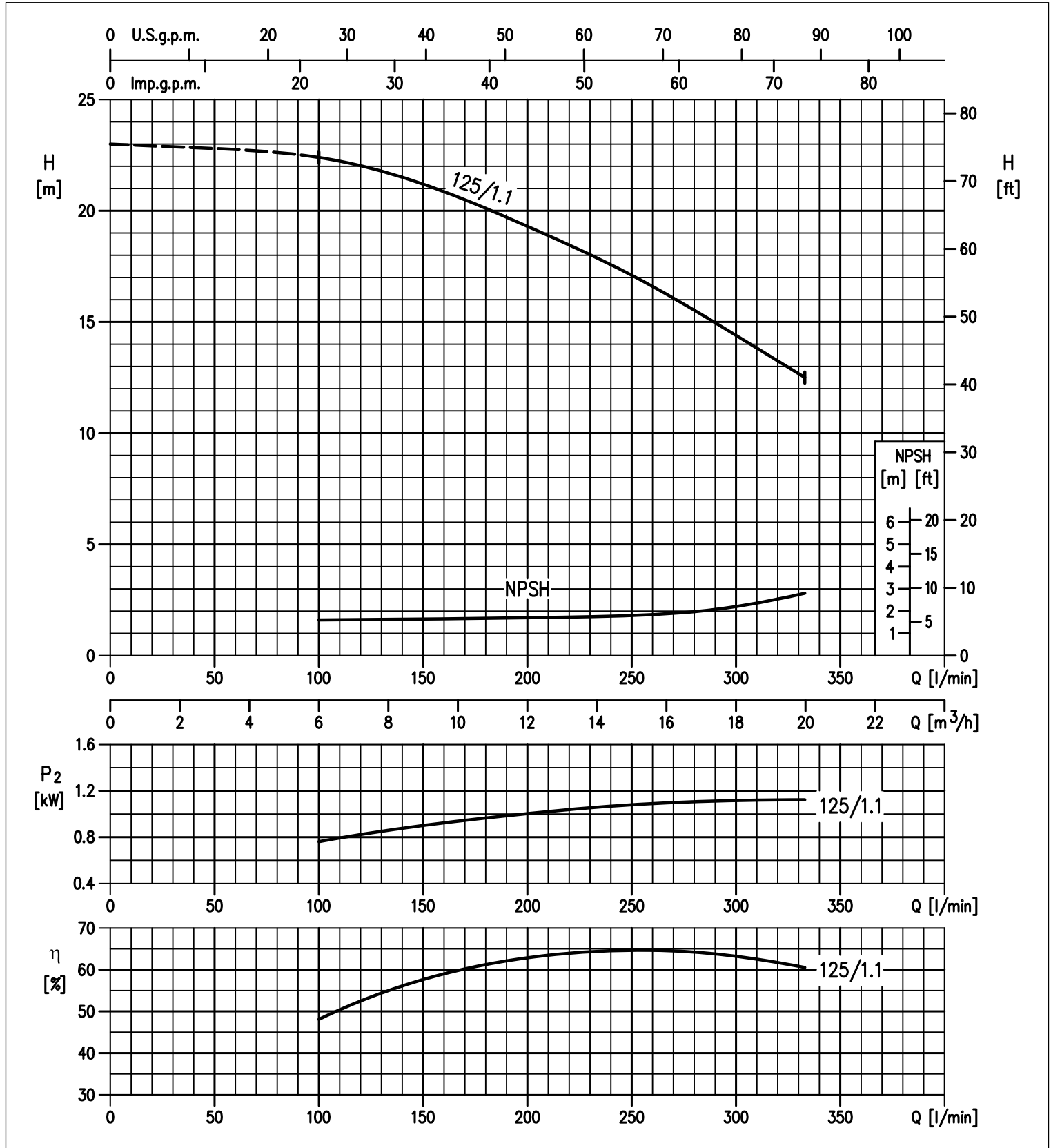


# 3D SERIES

NORMALISED AND MONOBLOCK CENTRIFUGAL ELECTROPUMPS  
CONFORMING TO EN 733 (EX DIN 24255)

PERFORMANCE CURVES 3D(.) SERIES 32-125 at 2900 min<sup>-1</sup> (according to ISO 9906 Attachment A)

2 Poles



The content of this publication should not be considered mandatory. EBARA Pumps Europe S.p.A. reserves the right to change the content without prior notice.

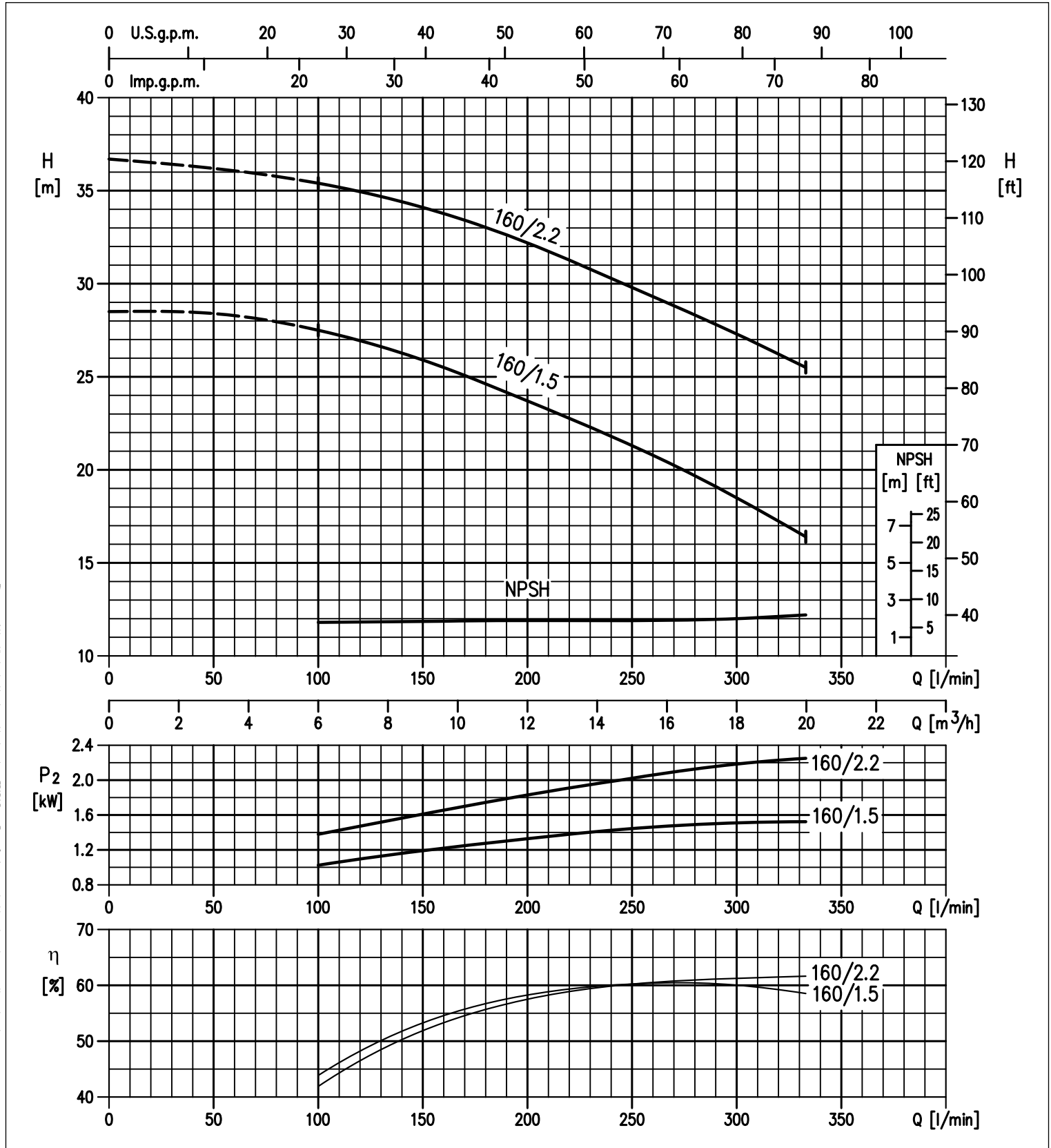


# 3D SERIES

NORMALISED AND MONOBLOCK CENTRIFUGAL ELECTROPUMPS  
CONFORMING TO EN 733 (EX DIN 24255)

PERFORMANCE CURVES 3D(.) SERIES 32-160 at 2900 min<sup>-1</sup> (according to ISO 9906 Attachment A)

2 Poles



The content of this publication should not be considered mandatory. EBARA Pumps Europe S.p.A. reserves the right to change the content without prior notice.

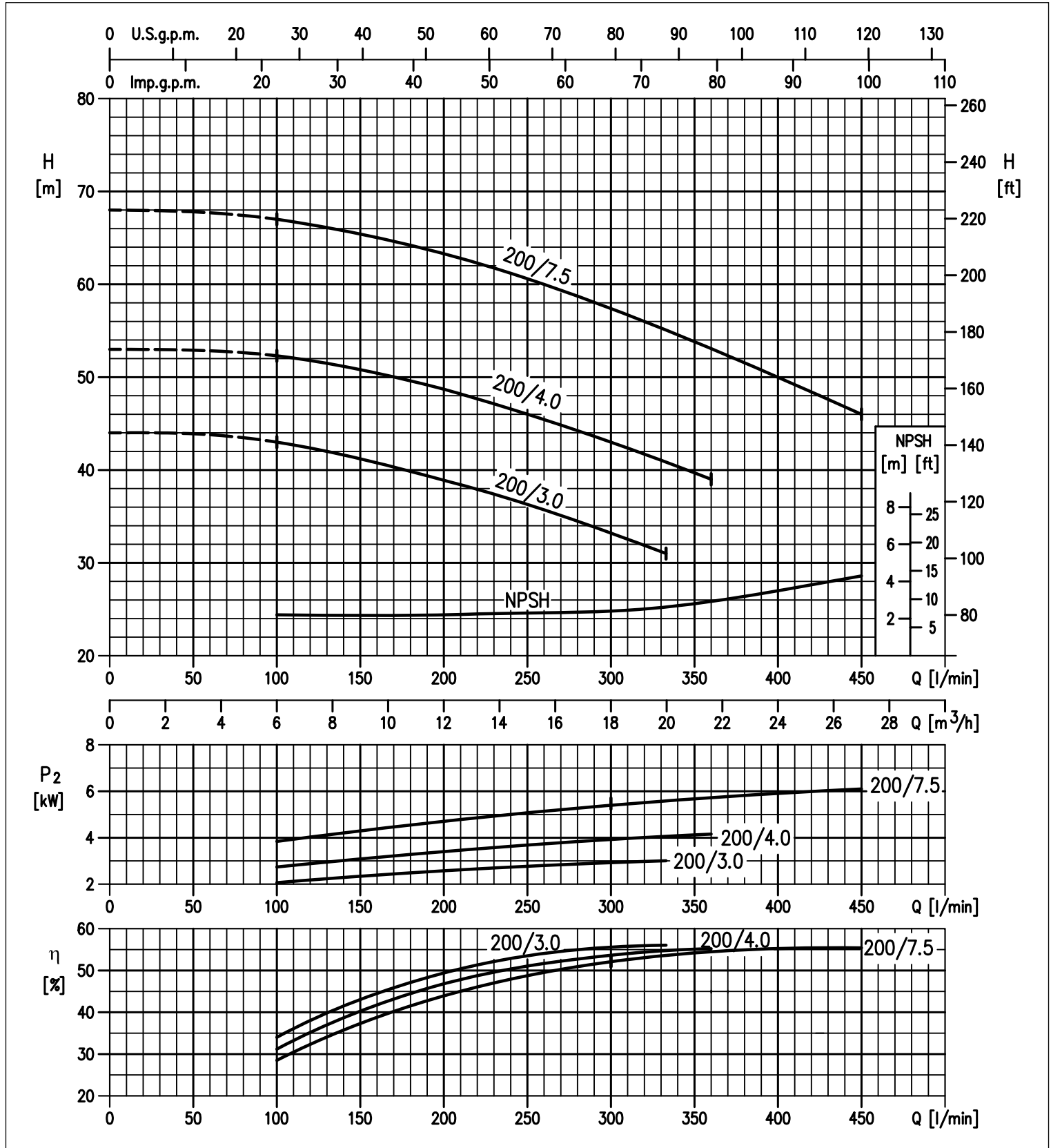


# 3D SERIES

NORMALISED AND MONOBLOCK CENTRIFUGAL ELECTROPUMPS  
CONFORMING TO EN 733 (EX DIN 24255)

PERFORMANCE CURVES 3D(.) SERIES 32-200 at 2900 min<sup>-1</sup> (according to ISO 9906 Attachment A)

2 Poles



The content of this publication should not be considered mandatory. EBARA Pumps Europe S.p.A. reserves the right to change the content without prior notice.

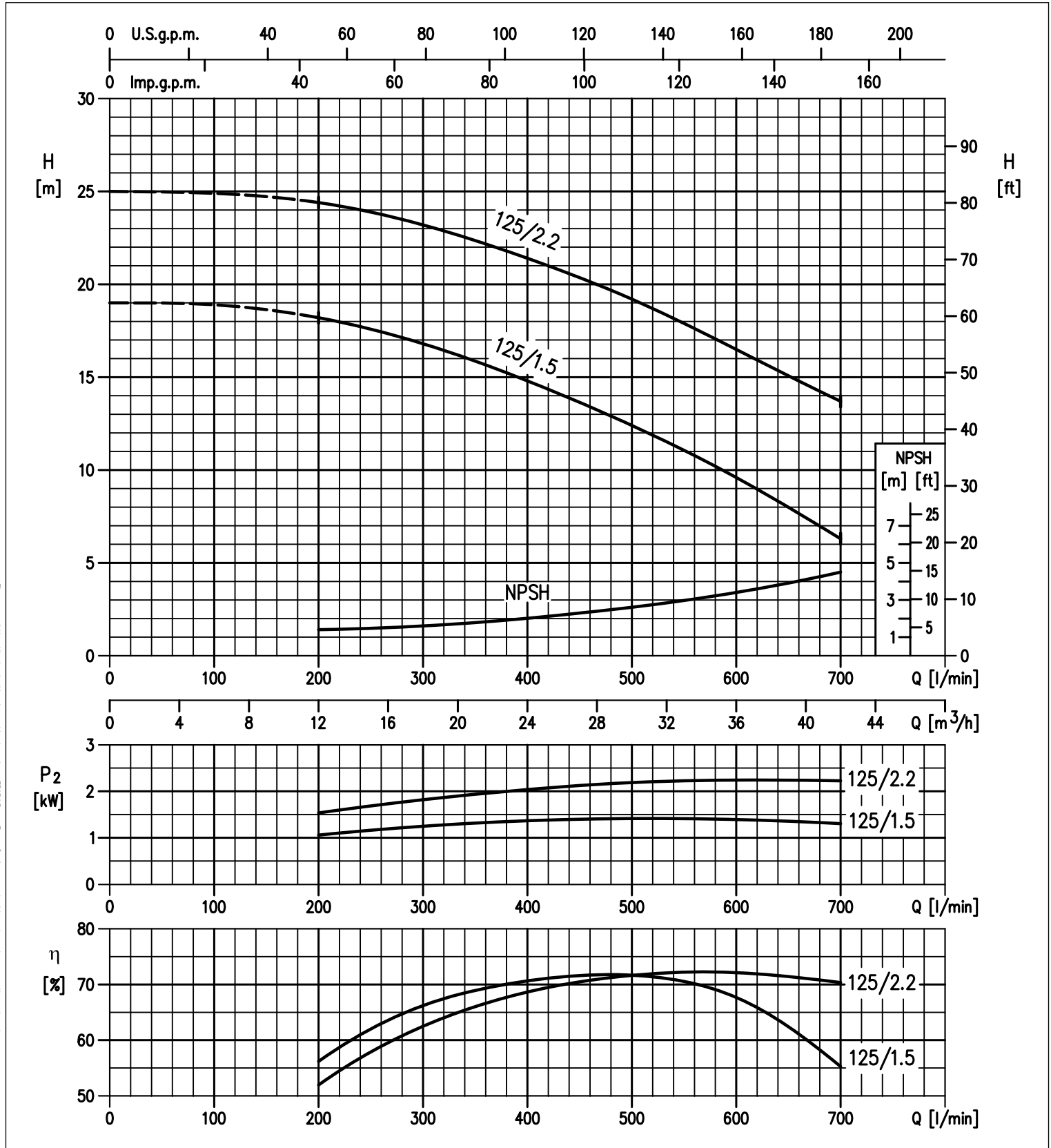


# 3D SERIES

NORMALISED AND MONOBLOCK CENTRIFUGAL ELECTROPUMPS  
CONFORMING TO EN 733 (EX DIN 24255)

PERFORMANCE CURVES 3D(,) SERIES 40-125 at 2900 min<sup>-1</sup> (according to ISO 9906 Attachment A)

2 Poles



The content of this publication should not be considered mandatory. EBARA Pumps Europe S.p.A. reserves the right to change the content without prior notice.



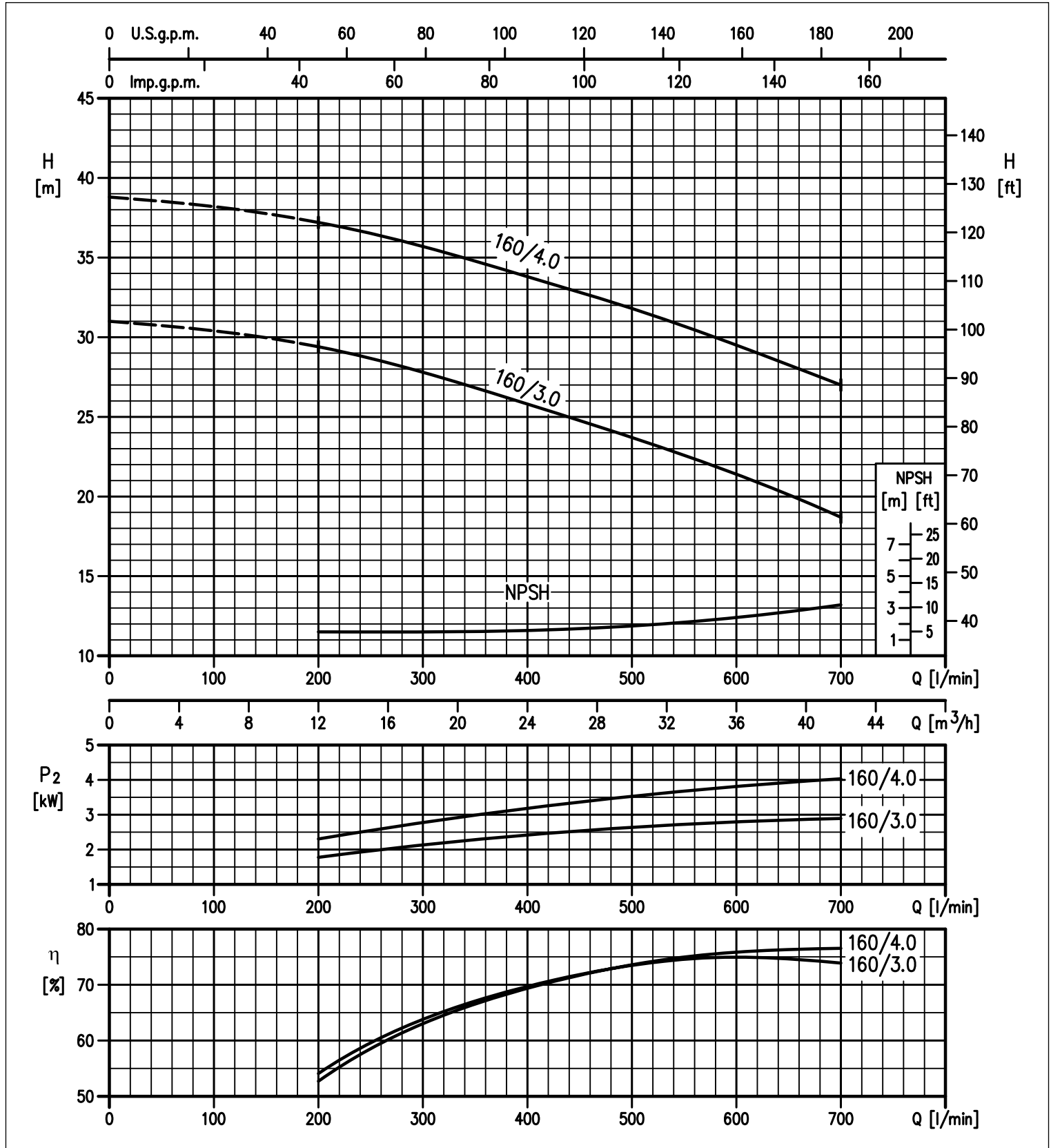


# 3D SERIES

NORMALISED AND MONOBLOCK CENTRIFUGAL ELECTROPUMPS  
CONFORMING TO EN 733 (EX DIN 24255)

PERFORMANCE CURVES 3D(.) SERIES 40-125 at 2900 min<sup>-1</sup> (according to ISO 9906 Attachment A)

2 Poles



The content of this publication should not be considered mandatory. EBARA Pumps Europe S.p.A. reserves the right to change the content without prior notice.

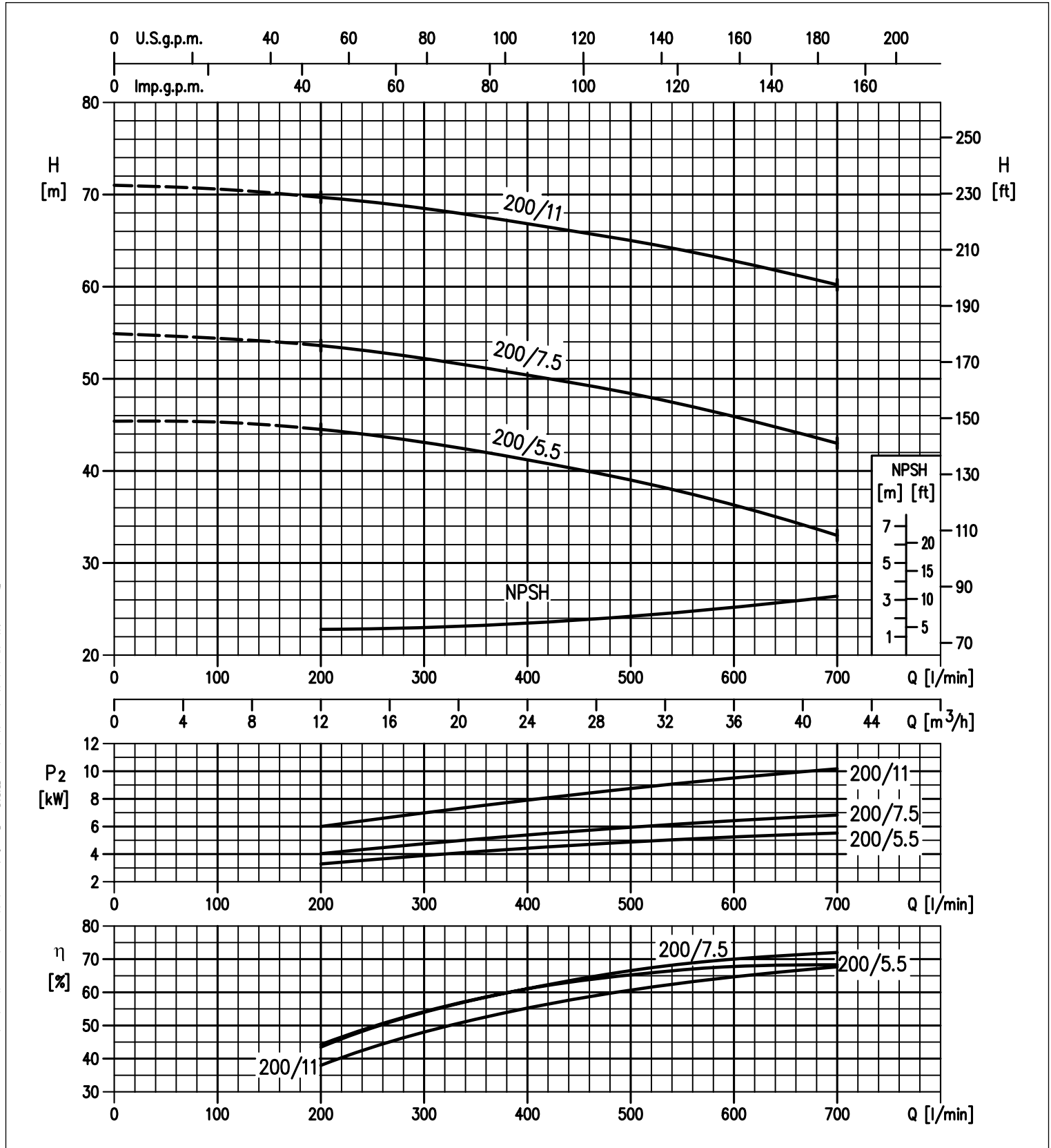


# 3D SERIES

NORMALISED AND MONOBLOCK CENTRIFUGAL ELECTROPUMPS  
CONFORMING TO EN 733 (EX DIN 24255)

PERFORMANCE CURVES 3D(.) SERIES 40-200 at 2900 min<sup>-1</sup> (according to ISO 9906 Attachment A)

2 Poles



The content of this publication should not be considered mandatory. EBARA Pumps Europe S.p.A. reserves the right to change the content without prior notice.

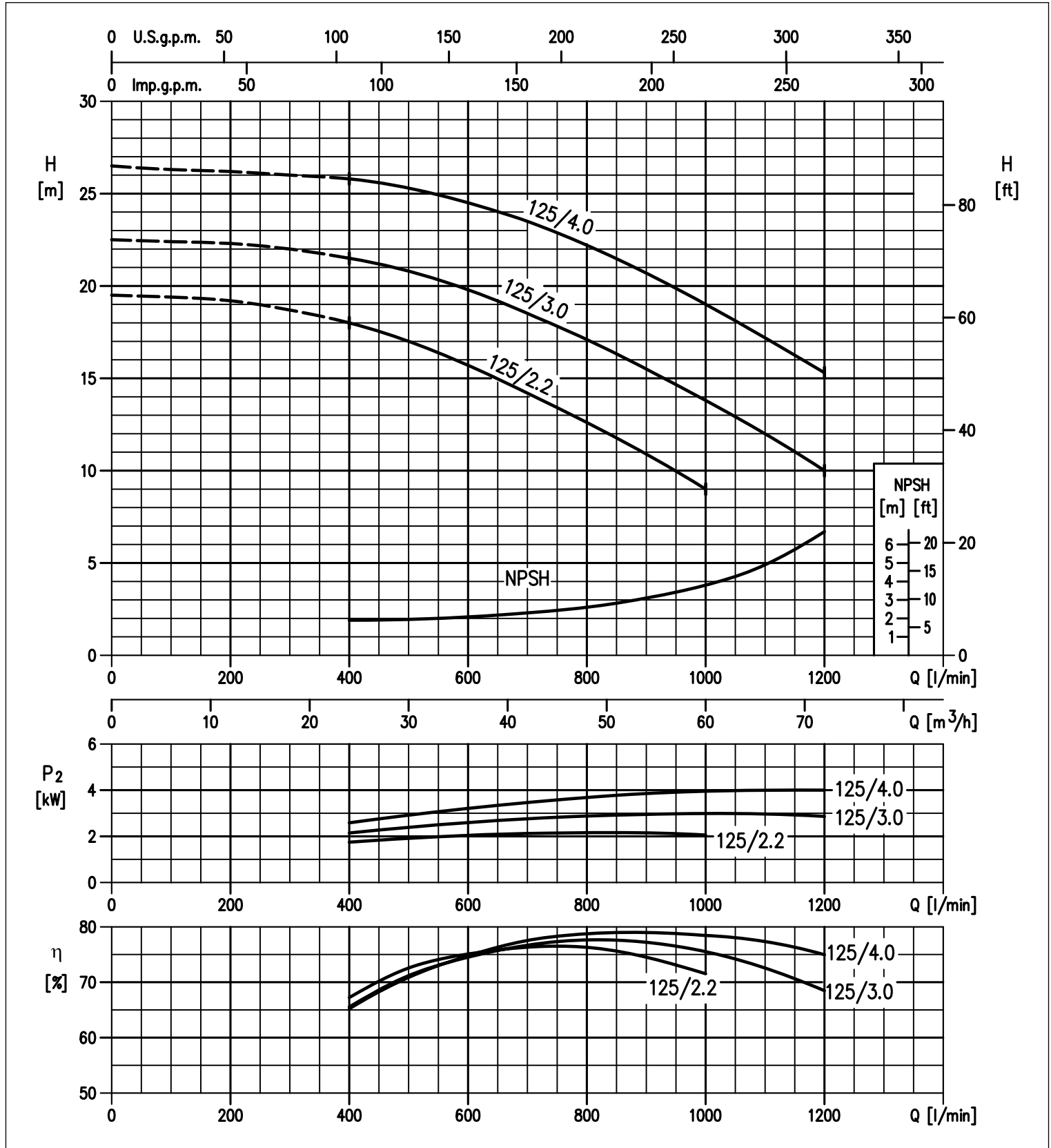


# 3D SERIES

NORMALISED AND MONOBLOCK CENTRIFUGAL ELECTROPUMPS  
CONFORMING TO EN 733 (EX DIN 24255)

PERFORMANCE CURVES 3D(.) SERIES 50-125 at 2900 min<sup>-1</sup> (according to ISO 9906 Attachment A)

2 Poles



The content of this publication should not be considered mandatory. EBARA Pumps Europe S.p.A. reserves the right to change the content without prior notice.

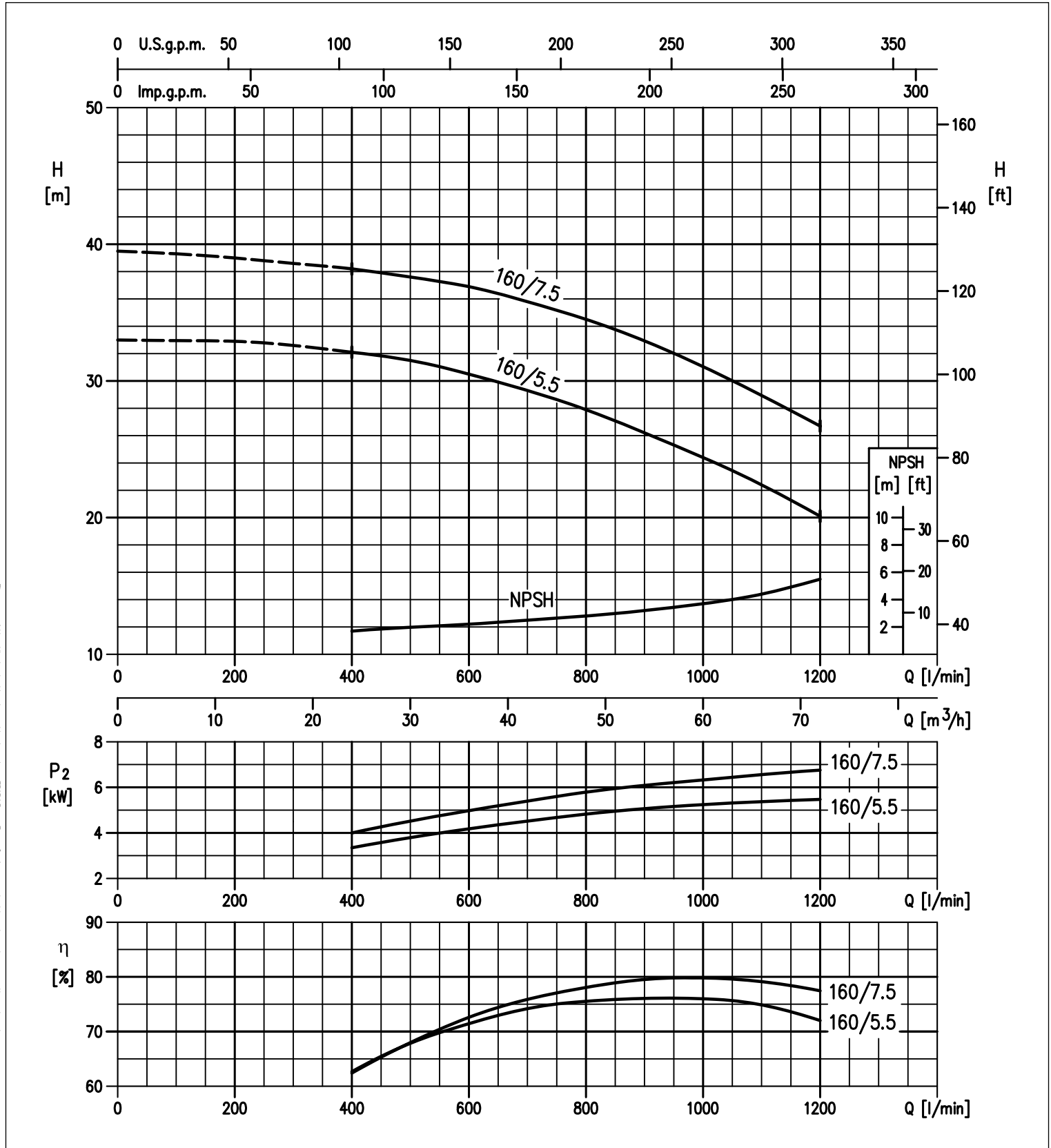


# 3D SERIES

NORMALISED AND MONOBLOCK CENTRIFUGAL ELECTROPUMPS  
CONFORMING TO EN 733 (EX DIN 24255)

PERFORMANCE CURVES 3D(.) SERIES 50-160 at 2900 min<sup>-1</sup> (according to ISO 9906 Attachment A)

2 Poles



The content of this publication should not be considered mandatory. EBARA Pumps Europe S.p.A. reserves the right to change the content without prior notice.

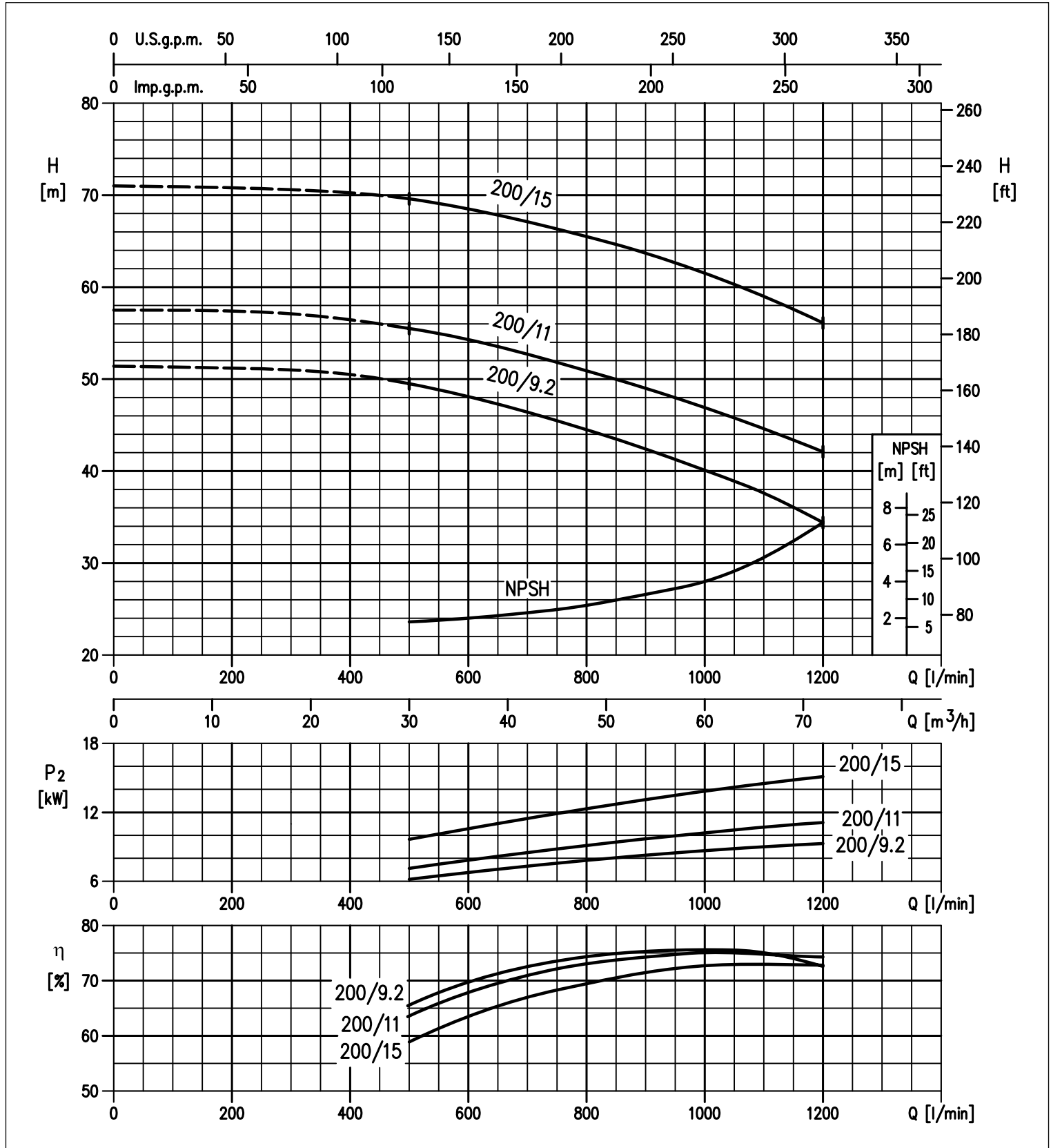


# 3D SERIES

NORMALISED AND MONOBLOCK CENTRIFUGAL ELECTROPUMPS  
CONFORMING TO EN 733 (EX DIN 24255)

PERFORMANCE CURVES 3D(.) SERIES 50-200 at 2900 min<sup>-1</sup> (according to ISO 9906 Attachment A)

2 Poles



The content of this publication should not be considered mandatory. EBARA Pumps Europe S.p.A. reserves the right to change the content without prior notice.

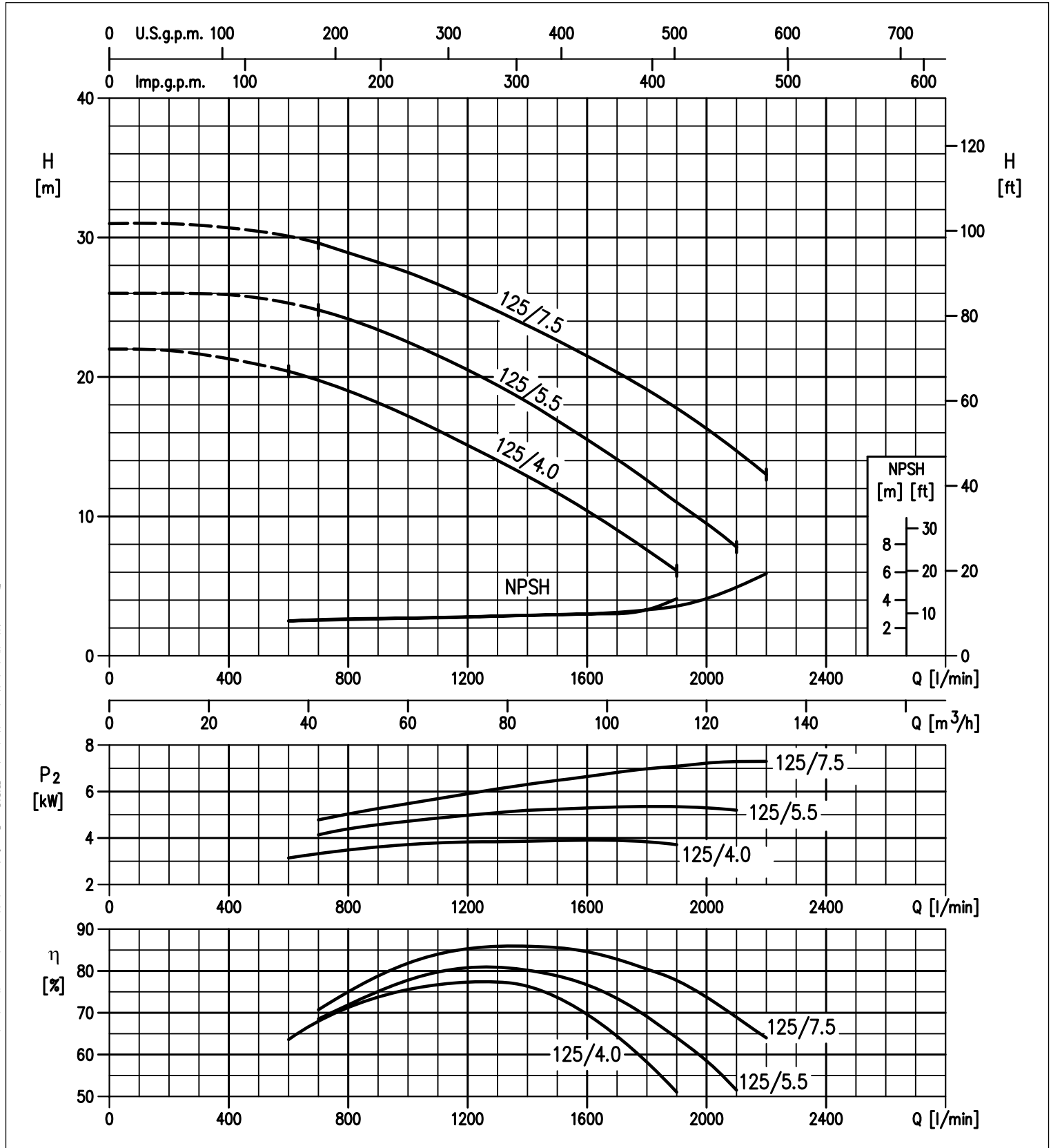


# 3D SERIES

NORMALISED AND MONOBLOCK CENTRIFUGAL ELECTROPUMPS  
CONFORMING TO EN 733 (EX DIN 24255)

PERFORMANCE CURVES 3D(.) SERIES 65-125 at 2900 min<sup>-1</sup> (according to ISO 9906 Attachment A)

2 Poles



The content of this publication should not be considered mandatory. EBARA Pumps Europe S.p.A. reserves the right to change the content without prior notice.

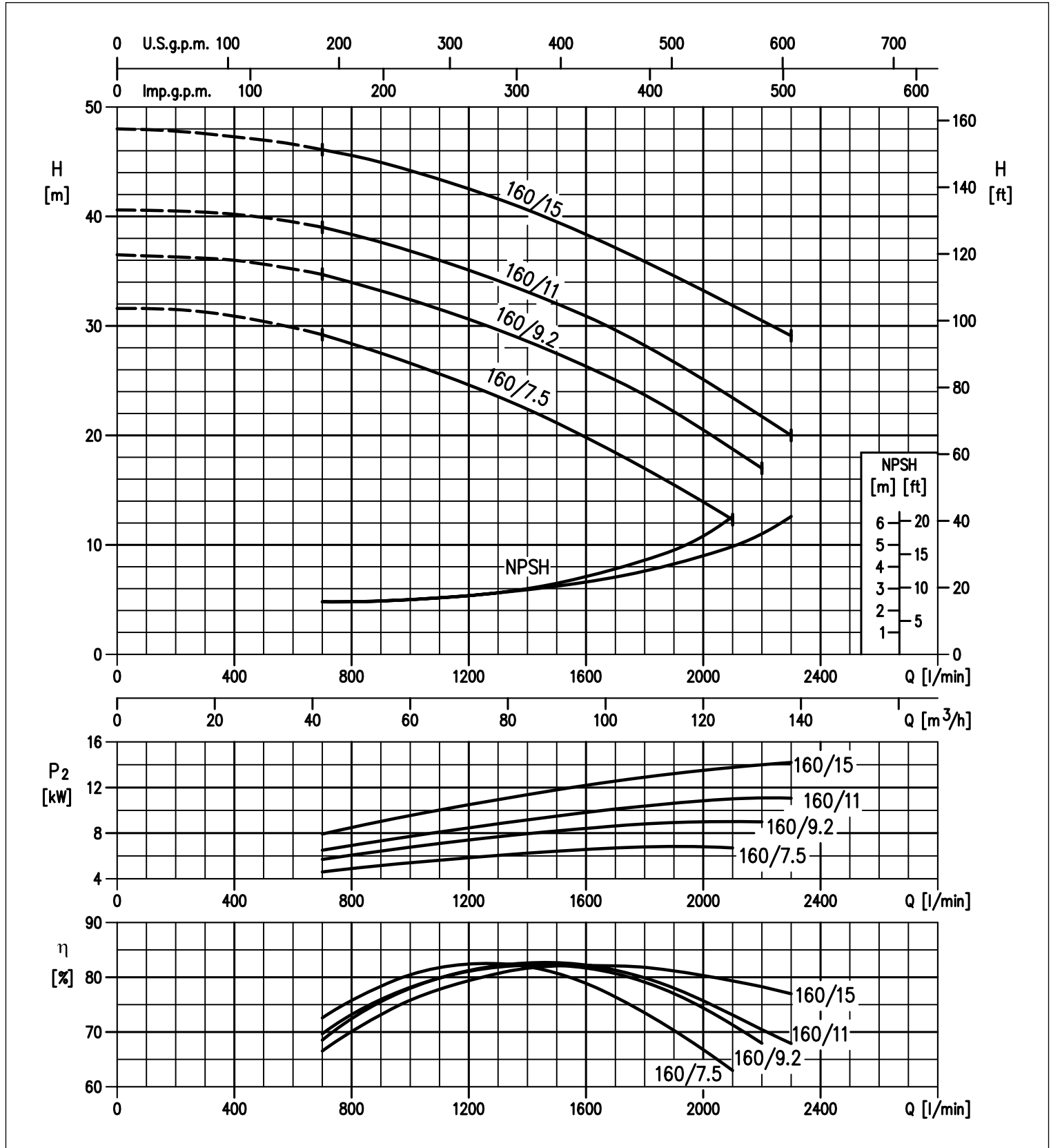


# 3D SERIES

NORMALISED AND MONOBLOCK CENTRIFUGAL ELECTROPUMPS  
CONFORMING TO EN 733 (EX DIN 24255)

PERFORMANCE CURVES 3D(.) SERIES 65-160 at 2900 min<sup>-1</sup> (according to ISO 9906 Attachment A)

2 Poles



The content of this publication should not be considered mandatory. EBARA Pumps Europe S.p.A. reserves the right to change the content without prior notice.

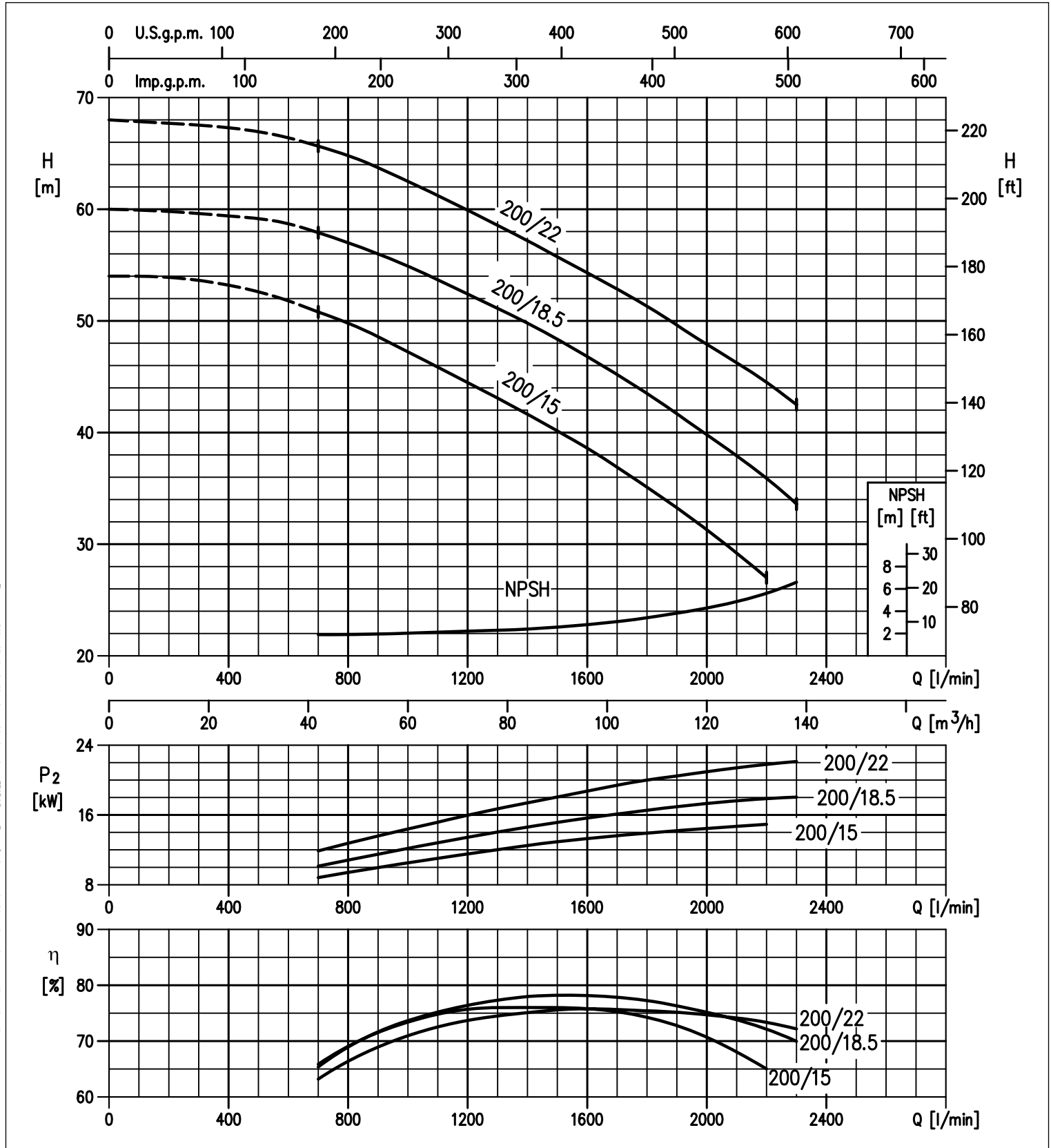


# 3D SERIES

NORMALISED AND MONOBLOCK CENTRIFUGAL ELECTROPUMPS  
CONFORMING TO EN 733 (EX DIN 24255)

PERFORMANCE CURVES 3D(.) SERIES 65-200 at 2900 min<sup>-1</sup> (according to ISO 9906 Attachment A)

2 Poles



The content of this publication should not be considered mandatory. EBARA Pumps Europe S.p.A. reserves the right to change the content without prior notice.

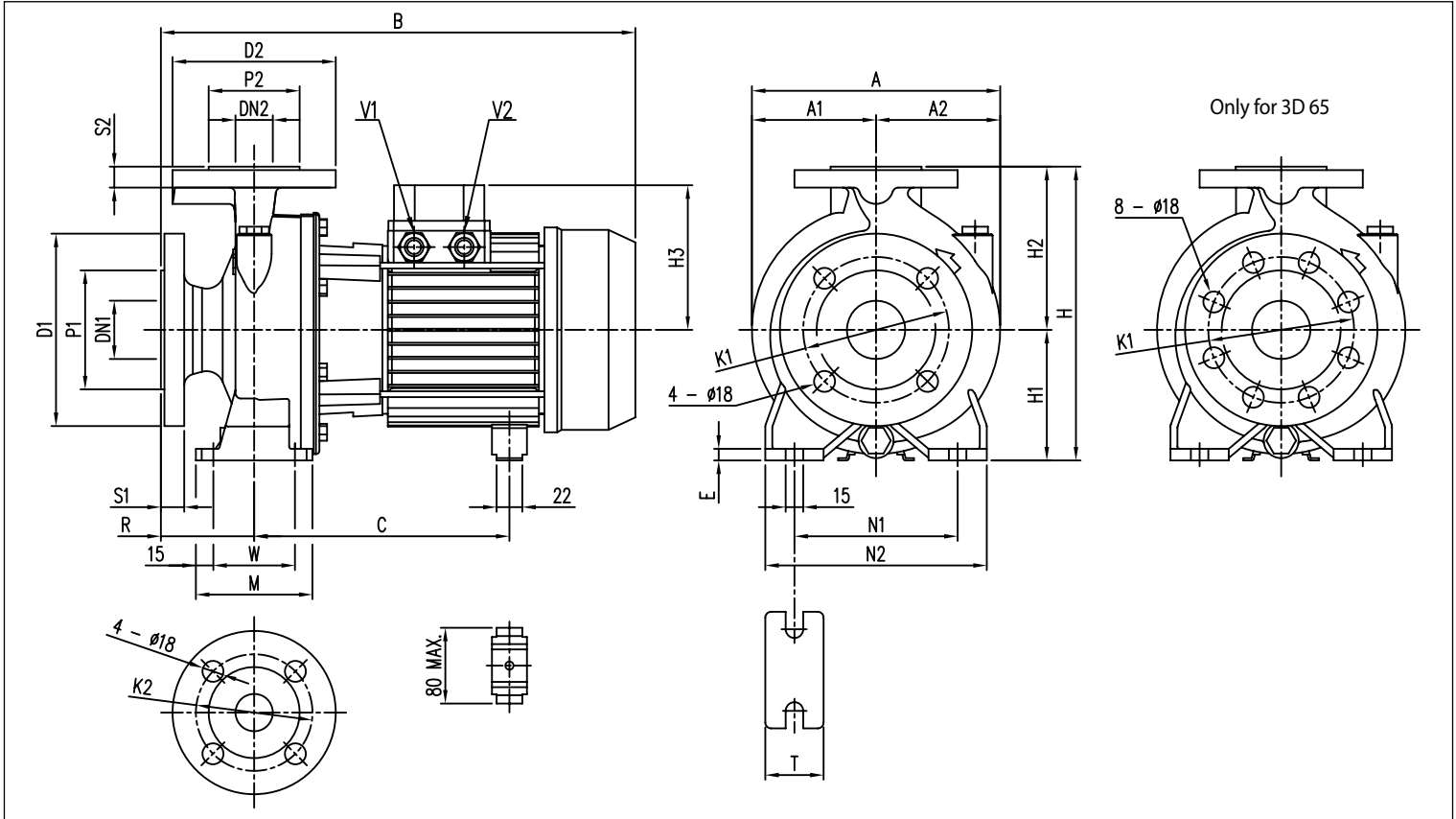


# 3D SERIES

**NORMALISED AND MONOBLOCK CENTRIFUGAL ELECTROPUMPS  
CONFORMING TO EN 733 (EX DIN 24255)**

3D SERIES - up to 11kW

2 Poles



**DIMENSIONAL TABLE**

Modello	Dimensioni [mm]																											Peso [kg]							
	DN1	P1	K1	D1	S1	DN2	P2	K2	D2	S2	H	H1	H2	H3	R	W	M	N1	N2	T	E	A	A1	A2	B	C	V1	V2	[2]	[1]					
32-125/1.1(M)	50	102	125	165	20	32	78	100	140	18	252	112	140	141	119	80	70	100	140	190	50	10	213	106,5	106,5	408	431	219+230	232	-	M20x1,5	M16x1,5	25,0	29,5	
32-160/1.5(M)	50	102	125	165	20	32	78	100	140	18	292	132	160	141	119	80	70	100	190	240	50	10	254	127	127	408	431	219+230	232	-	M20x1,5	M20x1,5	29,0	33,5	
32-160/2.2(M)	50	102	125	165	20	32	78	100	140	18	292	132	160	141	119	80	70	100	190	240	50	10	254	127	127	408	431	219+230	232	-	M20x1,5	M20x1,5	35,7	36,0	
32-200/3.0	50	102	125	165	20	32	78	100	140	18	340	160	180	-	124	80	70	100	190	240	50	10	296	148	148	-	471	-	244+255	-	-	M20x1,5	-	47,5	-
32-200/4.0	50	102	125	165	20	32	78	100	140	18	340	160	180	-	141	80	70	100	190	240	50	10	296	148	148	-	494	-	253	-	-	M20x1,5	-	50,0	-
32-200/7.5	50	102	125	165	20	32	78	100	140	18	340	160	180	-	150	80	70	100	190	240	50	10	296	148	148	-	539	-	275	PG 13,5	-	PG 16	-	65,1	-
40-125/1.5(M)	65	122	145	185	20	40	88	110	150	18	252	112	140	141	119	80	70	100	160	210	50	10	220	108	112	408	431	219+230	232	-	M20x1,5	M20x1,5	25,5	30,0	
40-125/2.2(M)	65	122	145	185	20	40	88	110	150	18	252	112	140	141	119	80	70	100	160	210	50	10	220	108	112	408	431	219+230	232	-	M20x1,5	M20x1,5	31,7	32,0	
40-160/3.0	65	122	145	185	20	40	88	110	150	18	292	132	160	-	124	80	70	100	190	240	50	12	254	127	127	-	471	-	244+255	-	-	M20x1,5	-	39,0	-
40-160/4.0	65	122	145	185	20	40	88	110	150	18	292	132	160	-	141	80	70	100	190	240	50	12	254	127	127	-	494	-	253	-	-	M20x1,5	-	48,0	-
40-200/5.5	65	122	145	185	20	40	88	110	150	18	340	160	180	-	150	100	70	100	212	265	50	12	296	148	148	-	539	-	275	M20x1,5	-	M25x1,5	-	60,0	-
40-200/7.5	65	122	145	185	20	40	88	110	150	18	340	160	180	-	150	100	70	100	212	265	50	12	296	148	148	-	559	-	275	PG 13,5	-	PG 16	-	66,1	-
40-200/11	65	122	145	185	20	40	88	110	150	18	340	160	180	-	178	100	70	100	212	265	50	12	296	148	148	-	595	-	359	PG 13,5	-	PG 21	-	82,4	-
50-125/2.2(M)	65	122	145	185	20	50	102	125	165	20	292	132	160	141	119	100	70	100	190	240	50	10	254	127	127	428	451	219+230	232	-	M20x1,5	M20x1,5	34,4	37,0	
50-125/3.0	65	122	145	185	20	50	102	125	165	20	292	132	160	-	124	100	70	100	190	240	50	10	254	127	127	-	491	-	244+255	-	-	M20x1,5	-	39,5	-
50-125/4.0	65	122	145	185	20	50	102	125	165	20	292	132	160	-	141	100	70	100	190	240	50	10	254	127	127	-	514	-	253	-	-	M20x1,5	-	48,0	-
50-160/5.5	65	122	145	185	20	50	102	125	165	20	340	160	180	-	150	100	70	100	212	265	50	10	296	148	148	-	539	-	275	M20x1,5	-	M25x1,5	-	60,0	-
50-160/7.5	65	122	145	185	20	50	102	125	165	20	340	160	180	-	150	100	70	100	212	265	50	10	296	148	148	-	559	-	275	PG 13,5	-	PG 16	-	67,1	-
50-200/9.2	65	122	145	185	20	50	102	125	165	20	360	160	200	-	178	100	70	100	212	265	50	10	296	148	148	-	595	-	359	PG 13,5	-	PG 21	-	77,0	-
50-200/11	65	122	145	185	20	50	102	125	165	20	360	160	200	-	178	100	70	100	212	265	50	10	296	148	148	-	595	-	359	PG 13,5	-	PG 21	-	82,4	-
65-125/4.0	80	138	160	200	22	65	122	145	185	20	340	160	180	-	141	100	95	125	212	280	65	12	263	127	136	-	514	-	253	-	-	M20x1,5	-	53,0	-
65-125/5.5	80	138	160	200	22	65	122	145	185	20	340	160	180	-	150	100	95	125	212	280	65	12	263	127	136	-	539	-	275	M20x1,5	-	M25x1,5	-	65,0	-
65-125/7.5	80	138	160	200	22	65	122	145	185	20	340	160	180	-	150	100	95	125	212	280	65	12	263	127	136	-	559	-	275	PG 13,5	-	PG 16	-	72,6	-
65-160/7.5	80	138	160	200	22	65	122	145	185	20	360	160	200	-	150	100	95	125	212	280	65	12	296	148	148	-	559	-	275	PG 13,5	-	PG 16	-	73,1	-
65-160/9.2	80	138	160	200	22	65	122	145	185	20	360	160	200	-	178	100	95	125	212	280	65	12	296	148	148	-	595	-	359	PG 13,5	-	PG 21	-	85,0	-
65-160/11	80	138	160	200	22	65	122	145	185	20	360	160	200	-	178	100	95	125	212	280	65	12	296	148	148	-	595	-	359	PG 13,5	-	PG 21	-	87,4	-

[1]= Three-phase only [2]= Single phase only

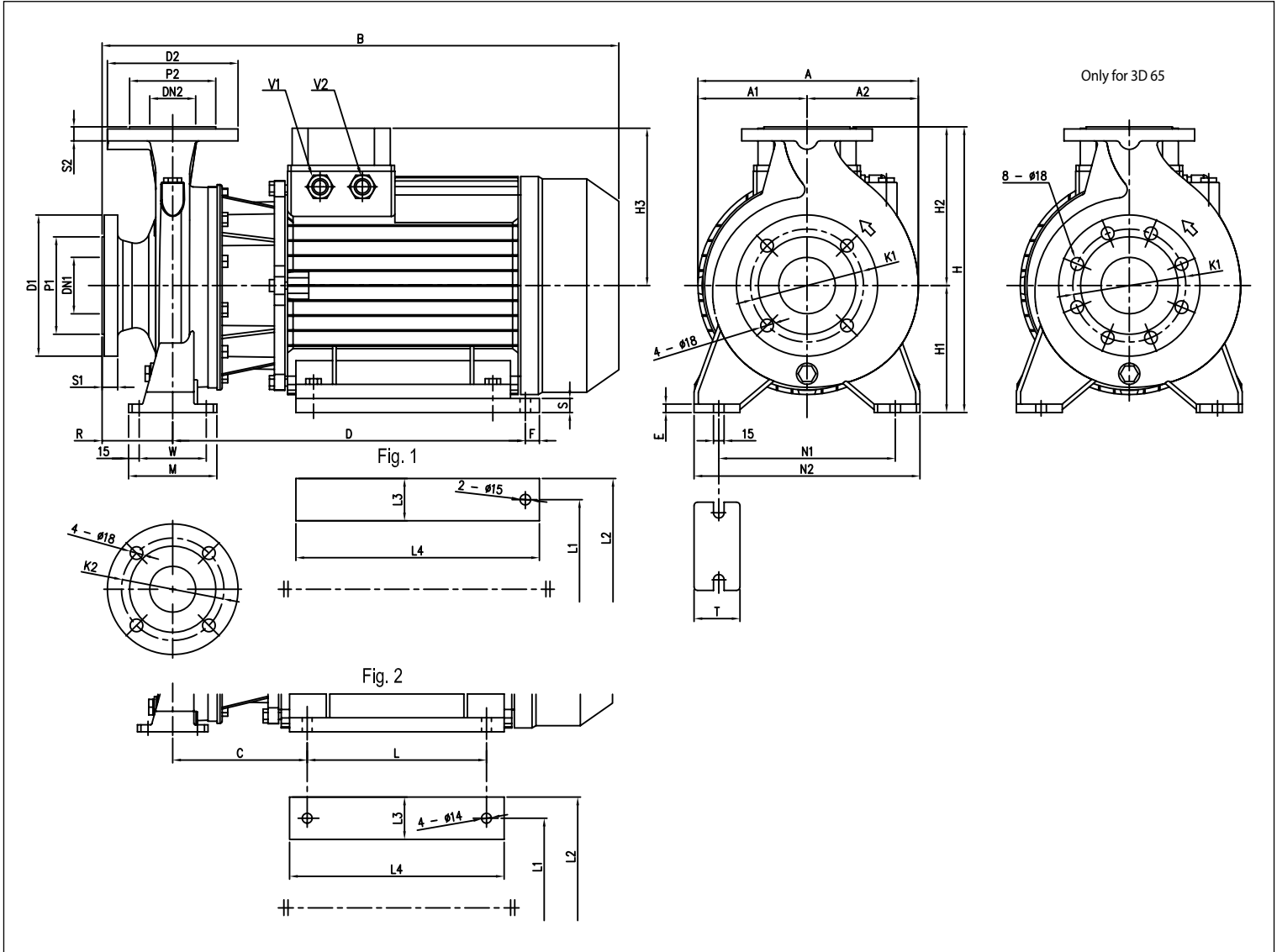
The content of this publication should not be considered mandatory. EBARA Pumps Europe S.p.A. reserves the right to change the content without prior notice.

# 3D SERIES

**NORMALISED AND MONOBLOCK CENTRIFUGAL ELECTROPUMPS  
CONFORMING TO EN 733 (EX DIN 24255)**

3D SERIES - from 15kW up

2 Poles



**DIMENSIONAL TABLE**

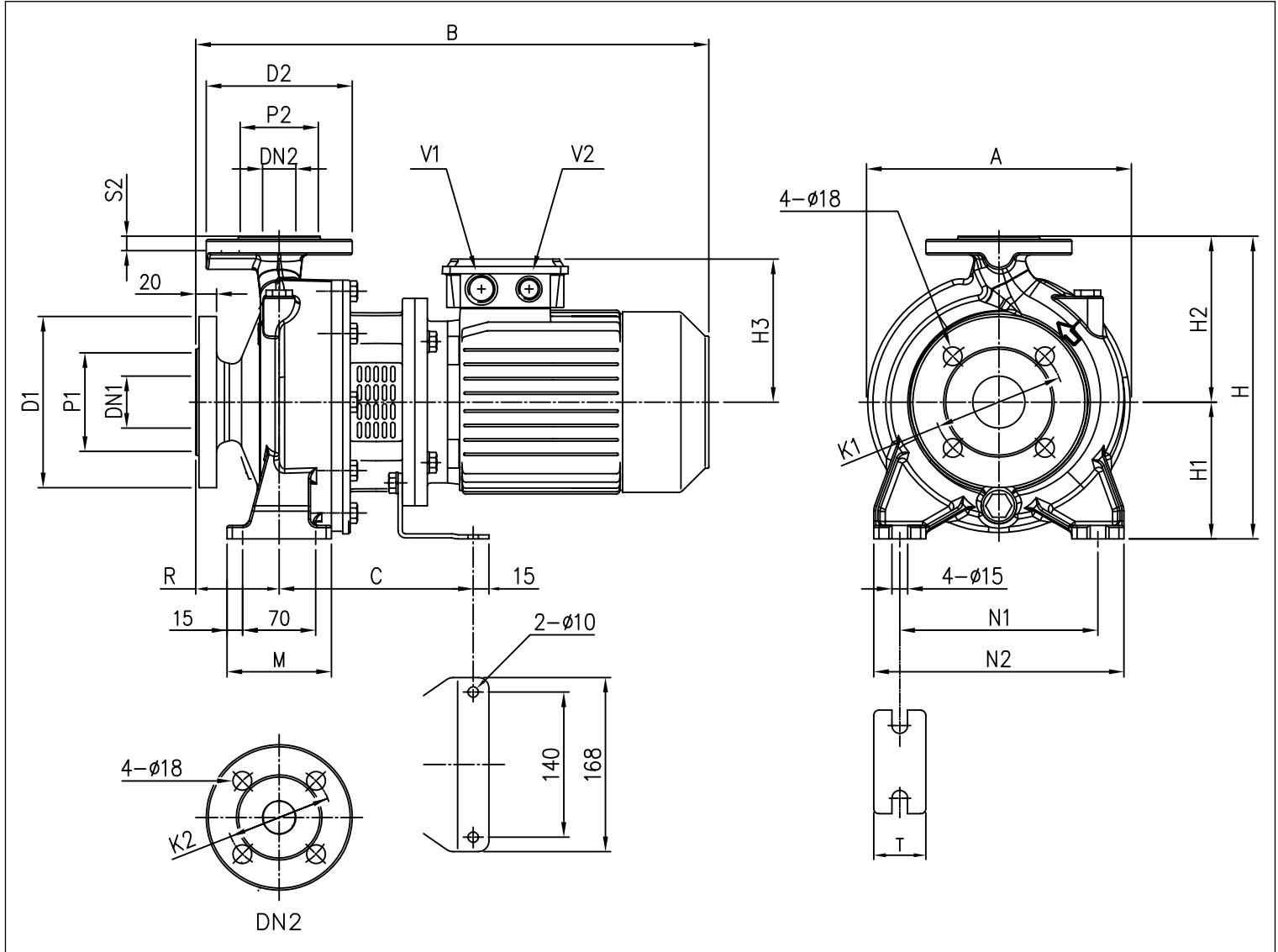
Modello	Dimensioni [mm]																							Peso [kg]														
	DN1	P1	K1	D1	S1	DN2	P2	K2	D2	S2	H	H1	H2	H3	Fig.	R	W	M	N1	N2	T	E	A		A1	A2	B	C	L	L1	L2	L3	L4	D	F	S	V1	V2
3D 50-200/15	65	122	145	185	20	50	102	125	165	20	360	160	200	223	2	100	70	100	212	265	50	10	296	154,5	141,5	723	190,5	254	254	318	64	304	-	-	-	PG 21	PG 21	124,1
3D 65-160/15	80	138	160	200	22	65	122	145	185	20	360	160	200	223	2	100	95	125	212	280	65	12	296	154,5	141,5	732	199,5	254	254	318	64	304	-	-	-	PG 21	PG 21	129,1
3D 65-200/15	80	138	160	200	22	65	122	145	185	20	405	180	225	223	1	100	95	125	250	320	65	12	312	154,5	157,5	732	-	-	254	314	60	345	499,5	20	20	PG 21	PG 21	129,1
3D 65-200/18,5	80	138	160	200	22	65	122	145	185	20	405	180	225	223	1	100	95	125	250	320	65	12	312	154,5	157,5	732	-	-	254	314	60	345	499,5	20	20	PG 21	PG 21	146,3
3D 65-200/22	80	138	160	200	22	65	122	145	185	20	405	180	225	223	1	100	95	125	250	320	65	12	312	154,5	157,5	732	-	-	254	314	60	345	499,5	20	20	PG 21	PG 21	158,1

# 3D SERIES

**NORMALISED AND MONOBLOCK CENTRIFUGAL ELECTROPUMPS  
CONFORMING TO EN 733 (EX DIN 24255)**

**DIMENSIONS 3DS 32, 40, 50 SERIES - up to 2.2kW**

**2 Poles**



## DIMENSIONAL TABLE

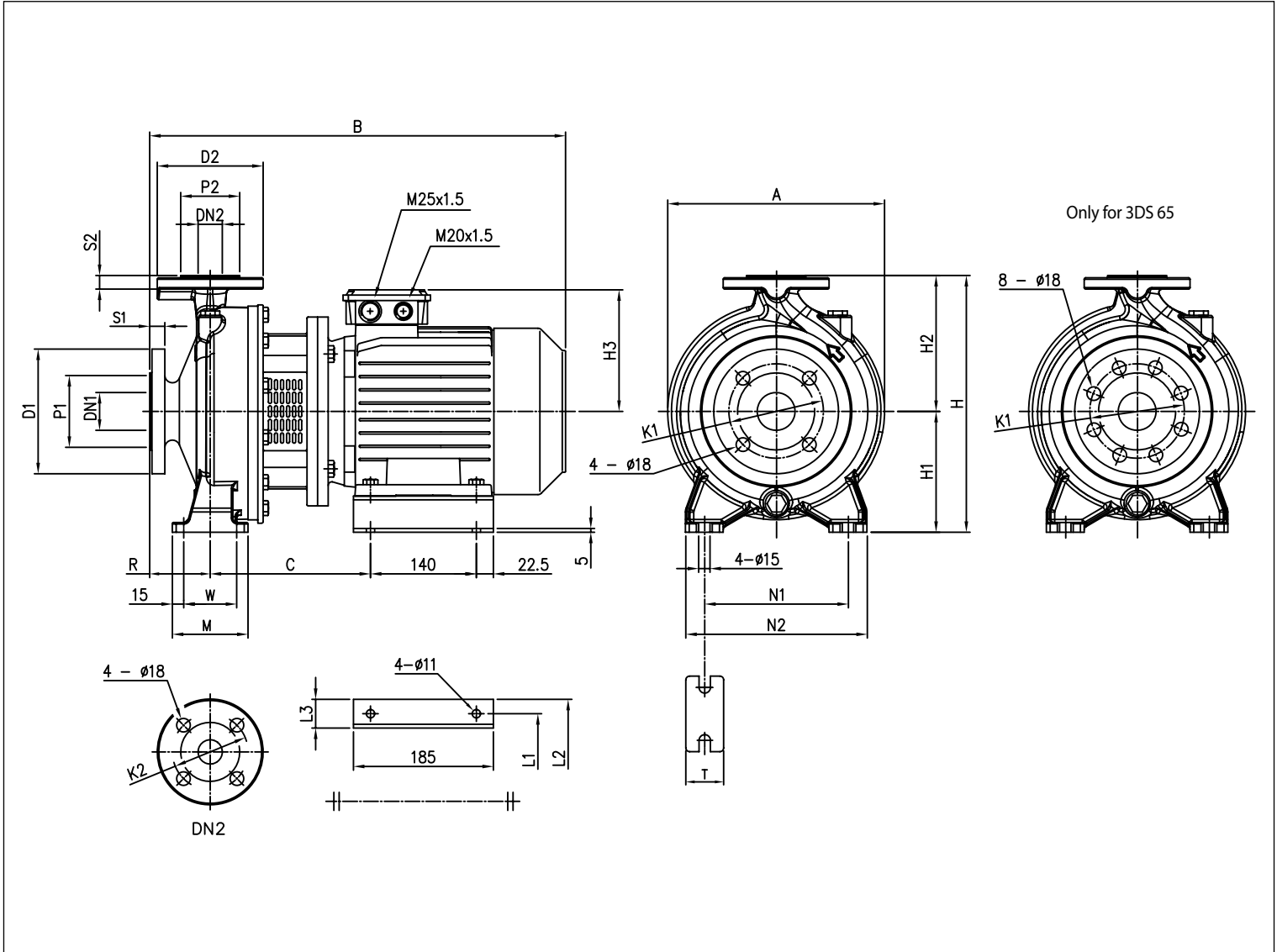
Modello	Dimensioni [mm]																			Peso [kg]				
	DN1 Ø	P1 Ø	K1 Ø	D1 Ø	DN2 Ø	P2 Ø	K2 Ø	D2 Ø	S2	H	H1	H2	H3	R	M	N1	N2	T	A		B	C	V1	V2
3DS 32-125/1.1	50	102	125	165	32	78	100	140	18	252	112	140	139	80	100	140	190	50	213	430	174	M25x1.5	M20x1.5	32,1
3DS 32-160/1.5	50	102	125	165	32	75	100	140	18	292	132	160	148	80	100	190	240	50	254	477	186	M25x1.5	M20x1.5	36,3
3DS 32-160/2.2	50	102	125	165	32	75	100	140	18	292	132	160	148	80	100	190	240	50	254	477	186	M25x1.5	M20x1.5	40,4
3DS 40-125/1.5	65	115	145	185	40	80	110	150	14	252	112	140	148	80	114	160	210	50	213	477	186	M25x1.5	M20x1.5	31,9
3DS 40-125/2.2	65	115	145	185	40	80	110	150	14	252	112	140	148	80	114	160	210	50	213	477	186	M25x1.5	M20x1.5	35,5
3DS 50-125/2.2	65	115	145	185	50	95	125	165	16	292	132	160	148	100	114	190	240	50	254	497	186	M25x1.5	M20x1.5	37,9

# 3D SERIES

**NORMALISED AND MONOBLOCK CENTRIFUGAL ELECTROPUMPS  
CONFORMING TO EN 733 (EX DIN 24255)**

**DIMENSIONS 3DS 32, 65 SERIES - 3 ÷ 4 kW**

**2 Poles**



**DIMENSIONAL TABLE**

Modello	Dimensioni [mm]																											Peso [kg]
	DN1 Ø	P1 Ø	K1 Ø	D1 Ø	S1	DN2 Ø	P2 Ø	K2 Ø	D2 Ø	S2	H	H1	H2	H3	R	W	M	N1	N2	T	A	B	C	L1	L2	L3		
3DS 32-200/3.0	50	102	125	165	20	32	78	100	140	18	340	160	180	155	80	70	100	190	240	50	296	528	205	160	202	42	59.3	
3DS 32-200/4.0	50	102	125	165	20	32	78	100	140	18	340	160	180	171	80	70	100	190	240	50	296	550	212	190	228	38	60.8	
3DS 65-125/4.0	80	138	160	200	22	65	122	145	185	20	340	160	180	171	100	95	125	212	280	65	180	570	212	190	228	38	65.4	

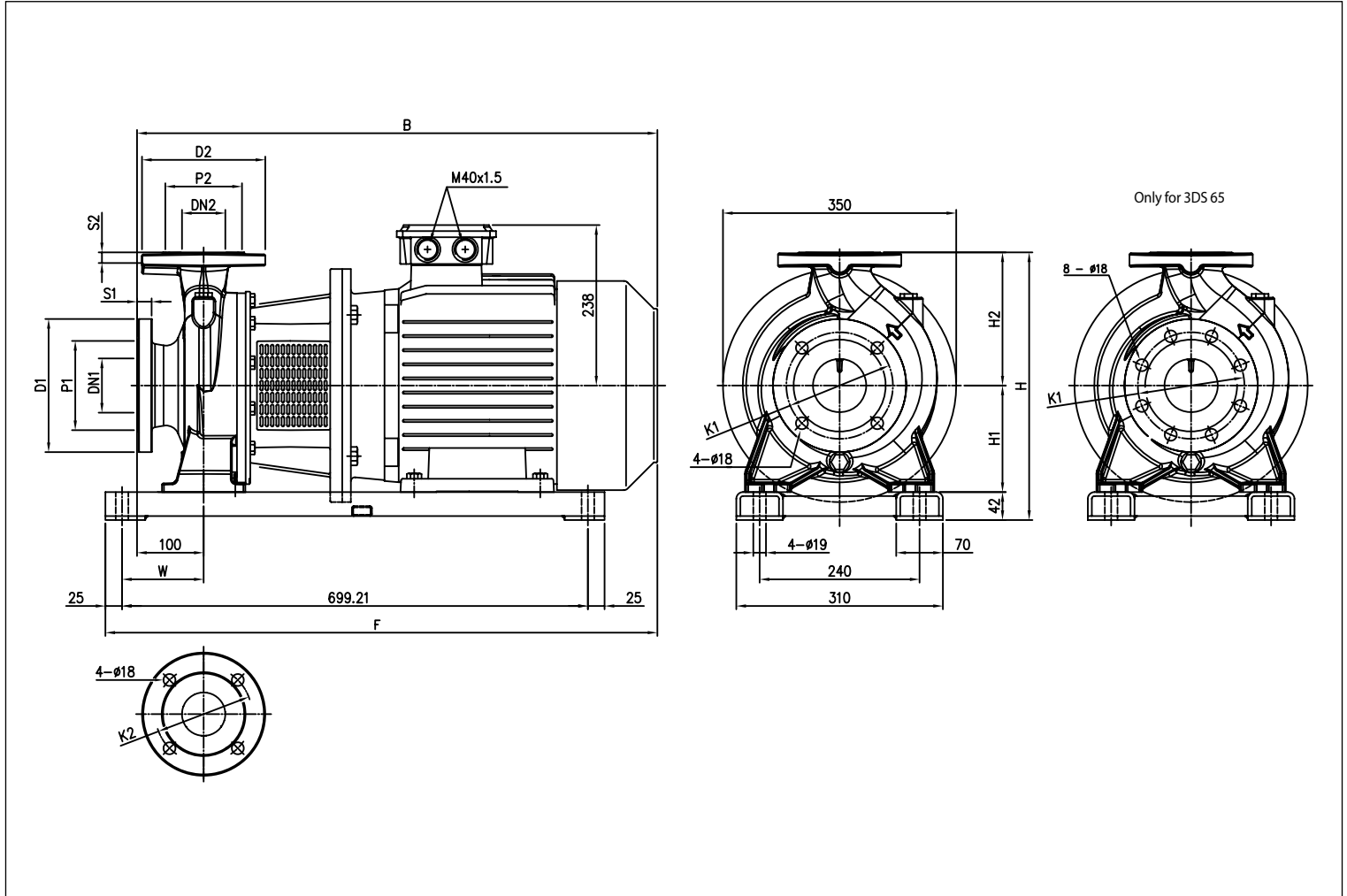
The content of this publication should not be considered mandatory. EBARA Pumps Europe S.p.A. reserves the right to change the content without prior notice.

# 3D SERIES

**NORMALISED AND MONOBLOCK CENTRIFUGAL ELECTROPUMPS  
CONFORMING TO EN 733 (EX DIN 24255)**

3DS 40, 50, 65 SERIES - 11 ÷ 15 kW

2 Poles



## DIMENSIONAL TABLE

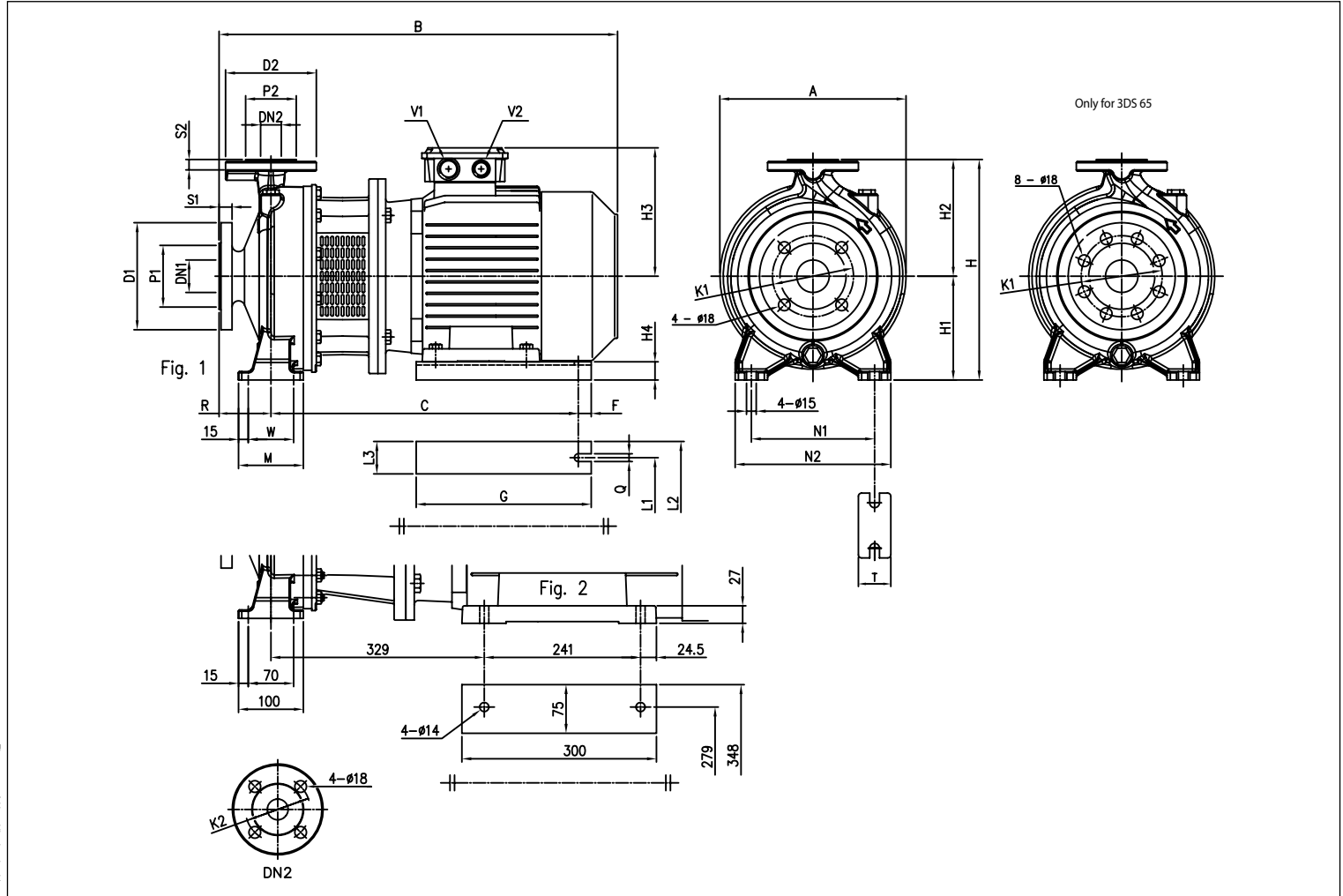
Model	Dimensions [mm]																	Weight [kg]
	DN1 Ø	P1 Ø	K1 Ø	D1 Ø	S1	DN2 Ø	P2 Ø	K2 Ø	D2 Ø	S2	H	H1	H2	W	B	F		
3DS 40-200/11	65	122	145	185	20	40	88	110	150	18	382	160	180	110	796	833	130.8	
3DS 50-200/11	65	122	145	185	20	50	102	125	165	20	402	160	200	110	796	833	130.8	
3DS 50-200/15	65	122	145	185	20	50	102	125	165	20	402	160	200	110	796	833	166.9	
3DS 65-160/11	80	138	160	200	22	65	115	145	185	20	402	160	200	123	806	846	106.8	
3DS 65-160/15	80	138	160	200	22	65	115	145	185	20	402	160	200	123	806	846	142.9	

# 3D SERIES

## NORMALISED AND MONOBLOCK CENTRIFUGAL ELECTROPUMPS CONFORMING TO EN 733 (EX DIN 24255)

3DS 32, 40, 50, 65 SERIES

2 Poles



### DIMENSIONAL TABLE

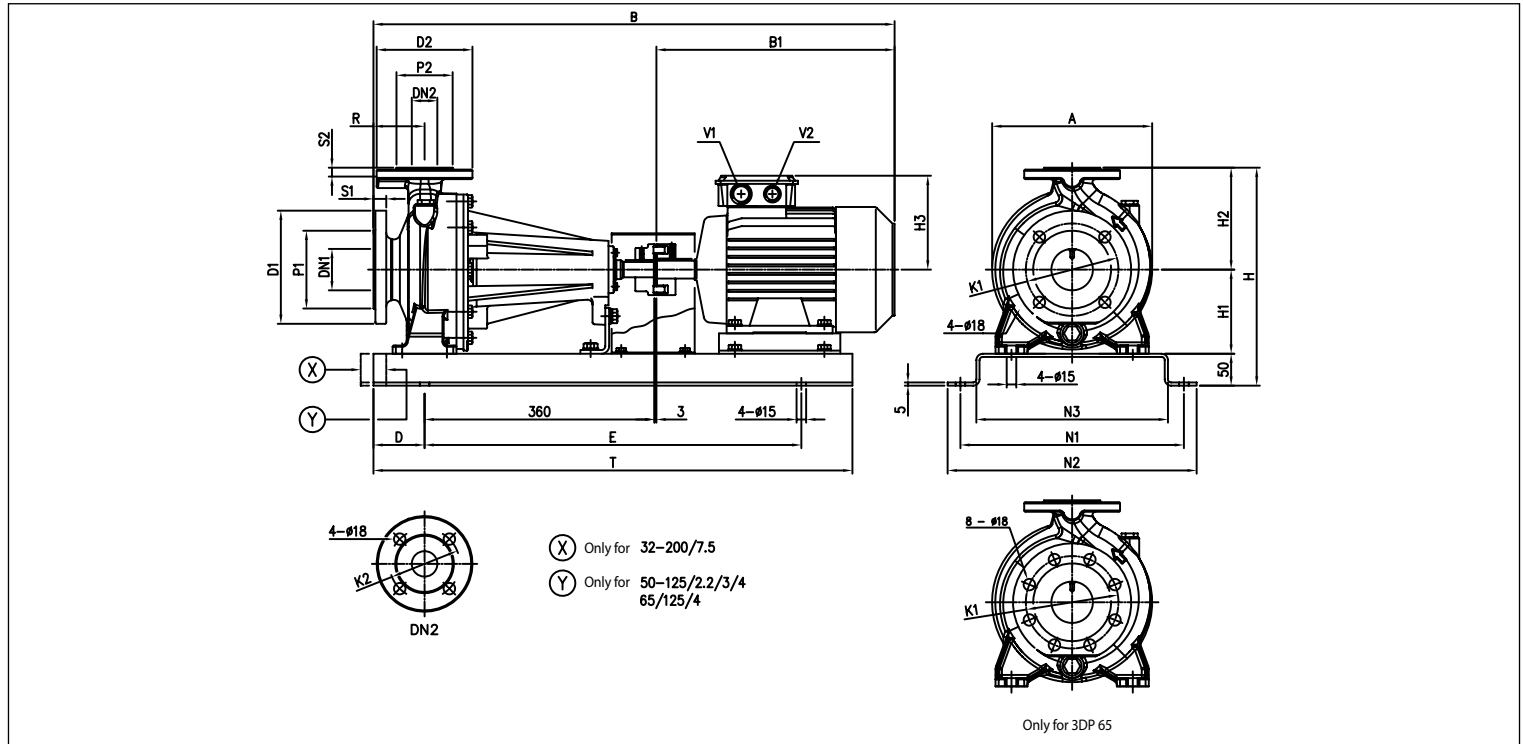
Modello	Dimensioni [mm]																										Peso [kg]									
	DN1	P1	K1	D1	S1	DN2	P2	K2	D2	S2	Fig.	H	H1	H2	H3	H4	R	W	M	N1	N2	T	A	B	C	F		G	Q	L1	L2	L3	V1	V2		
3DS 32-200/7.5	50	102	125	165	20	32	78	100	140	18	1	340	160	180	198	28	80	70	100	190	240	50	296	607	479	15	270	12	216	266	50	M32X1.5	M32X1.5	92.0		
3DS 40-160/3.0	65	122	145	185	20	40	88	110	150	18	1	292	132	160	155	32	80	70	100	190	240	50	254	528	388	15	220	12	160	200	40	M25X1.5	M20X1.5	65.6		
3DS 40-160/4.0	65	122	145	185	20	40	88	110	150	18	1	292	132	160	171	20	80	70	100	190	240	50	254	550	395	15	220	12	190	240	50	M25X1.5	M20X1.5	51.8		
3DS 40-200/5.5	65	122	145	185	20	40	88	110	150	18	1	340	160	180	198	28	100	70	100	212	265	50	296	630	479	15	270	12	216	266	50	M32X1.5	M32X1.5	79.7		
3DS 40-200/7.5	65	122	145	185	20	40	88	110	150	18	1	340	160	180	198	28	100	70	100	212	265	50	296	650	479	15	270	12	216	266	50	M32X1.5	M32X1.5	88.8		
3DS 50-125/3.0	65	122	145	185	20	50	102	125	165	20	1	292	132	160	155	32	100	70	100	190	240	50	254	548	388	15	220	12	160	200	40	M25X1.5	M20X1.5	44.1		
3DS 50-125/4.0	65	122	145	185	20	50	102	125	165	20	1	292	132	160	171	20	100	70	100	190	240	50	254	570	395	15	220	12	190	240	50	M25X1.5	M20X1.5	52.7		
3DS 50-160/5.5	65	122	145	185	20	50	102	125	165	20	1	340	160	180	198	28	100	70	100	212	265	50	296	630	479	15	270	12	216	266	50	M32X1.5	M32X1.5	77.3		
3DS 50-160/7.5	65	122	145	185	20	50	102	125	165	20	1	340	160	180	198	28	100	70	100	212	265	50	296	650	479	15	270	12	216	266	50	M32X1.5	M32X1.5	99.5		
3DS 50-200/9.2	65	122	145	185	20	50	102	125	165	20	1	360	160	200	198	28	100	70	100	212	265	50	296	690	479	15	270	12	216	266	50	M32X1.5	M32X1.5	104.0		
3DS 65-125/5.5	80	138	160	200	22	65	122	145	185	20	1	340	160	180	198	28	100	95	125	212	280	65	263	630	479	15	270	12	216	266	50	M32X1.5	M32X1.5	76.3		
3DS 65-125/7.5	80	138	160	200	22	65	122	145	185	20	1	340	160	180	198	28	100	95	125	212	280	65	263	650	479	15	270	12	216	266	50	M32X1.5	M32X1.5	99.9		
3DS 65-160/7.5	80	138	160	200	22	65	122	145	185	20	1	360	160	200	198	28	100	95	125	212	280	65	296	650	479	15	270	12	216	266	50	M32X1.5	M32X1.5	99.2		
3DS 65-160/9.2	80	138	160	200	22	65	122	145	185	20	1	360	160	200	198	28	100	95	125	212	280	65	296	690	479	15	270	12	216	266	50	M32X1.5	M32X1.5	108.0		
3DS 65-200/15	80	138	160	200	22	65	122	145	185	20	1	405	180	225	238	20	100	95	125	250	320	65	312	806	621	20	350	14	254	314	60	M40X1.5	M40X1.5	156.9		
3DS 65-200/18.5	80	138	160	200	22	65	122	145	185	20	1	405	180	225	238	20	100	95	125	250	320	65	312	850	621	20	350	14	254	314	60	M40X1.5	M40X1.5	158.5		
3DS 65-200/22	80	138	160	200	22	65	122	145	185	20	2	405	180	225	268	-	100	-	-	250	320	65	312	885	-	-	-	-	-	-	-	-	-	M40X1.5	M40X1.5	197.0

# 3D SERIES

## NORMALISED AND MONOBLOCK CENTRIFUGAL ELECTROPUMPS CONFORMING TO EN 733 (EX DIN 24255)

### DIMENSIONS 3DP 32, 40, 50, 65 SERIES

2 Poles



### DIMENSIONAL TABLE

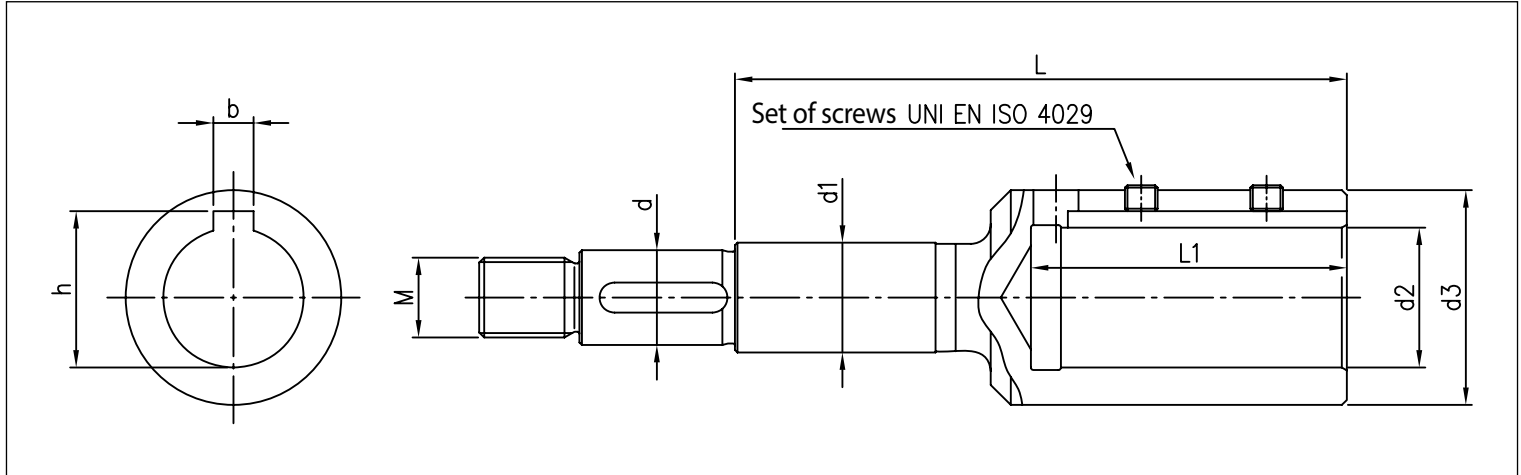
Modello	Dimensioni [mm]																							Peso [kg]			
	DN1 Ø	P1 Ø	K1 Ø	D1 Ø	S1	DN2 Ø	P2 Ø	K2 Ø	D2 Ø	S2	H	H1	H2	H3	R	A	B	B1	D	E	N1	N2	N3		T	V1	V2
3DP 32-125/1.1	50	102	125	165	20	32	78	100	140	18	302	112	140	139	80	213	715	272	80	550	300	340	250	710	M25x1.5	M20x1.5	62.1
3DP 32-160/1.5	50	102	125	165	20	32	78	100	140	18	342	132	160	148	80	254	760	317	80	590	350	390	300	750	M25x1.5	M20x1.5	58.5
3DP 32-160/2.2	50	102	125	165	20	32	78	100	140	18	342	132	160	148	80	254	760	317	80	590	350	390	300	750	M25x1.5	M20x1.5	61.5
3DP 32-200/3.0	50	102	125	165	20	32	78	100	140	18	390	160	180	155	80	296	809	366	80	590	350	390	300	750	M25x1.5	M20x1.5	83.9
3DP 32-200/4.0	50	102	125	165	20	32	78	100	140	18	390	160	180	171	80	296	831	388	80	590	350	390	300	750	M25x1.5	M20x1.5	86.9
3DP 32-200/7.5	50	102	125	165	20	32	78	100	140	18	390	160	180	198	80	296	908	442	100	650	350	390	300	850	M32x1.5	M32x1.5	117.2
3DP 40-125/1.5	65	122	145	185	20	40	88	110	150	18	302	112	140	148	80	220	760	317	80	550	300	340	250	710	M25x1.5	M20x1.5	76.2
3DP 40-125/2.2	65	122	145	185	20	40	88	110	150	18	302	112	140	148	80	220	760	317	80	550	300	340	250	710	M25x1.5	M20x1.5	56.9
3DP 40-160/3.0	65	122	145	185	20	40	88	110	150	18	342	132	160	155	80	254	809	366	80	590	350	390	300	750	M25x1.5	M20x1.5	93.4
3DP 40-160/4.0	65	122	145	185	20	40	88	110	150	18	342	132	160	171	80	254	831	388	80	590	350	390	300	750	M25x1.5	M20x1.5	74.8
3DP 40-200/5.5	65	122	145	185	20	40	88	110	150	18	390	160	180	198	100	296	908	442	100	650	350	390	300	850	M32x1.5	M20x1.5	105.0
3DP 40-200/7.5	65	122	145	185	20	40	88	110	150	18	390	160	180	198	100	296	928	442	100	650	350	390	300	850	M32x1.5	M32x1.5	113.7
3DP 40-200/11	65	122	145	185	20	40	88	110	150	18	390	160	180	238	100	296	1071	610	100	800	380	420	330	1000	M40x1.5	M40x1.5	140.6
3DP 50-125/2.2	65	122	145	185	20	50	102	125	165	20	342	132	160	148	100	254	780	317	80	550	350	390	300	710	M25x1.5	M20x1.5	80.0
3DP 50-125/3.0	65	122	145	185	20	50	102	125	165	20	342	132	160	155	100	254	829	366	80	590	350	390	300	750	M25x1.5	M20x1.5	91.1
3DP 50-125/4.0	65	122	145	185	20	50	102	125	165	20	342	132	160	171	100	254	851	388	80	590	350	390	300	750	M25x1.5	M20x1.5	91.7
3DP 50-160/5.5	65	122	145	185	20	50	102	125	165	20	390	160	180	198	100	296	908	442	100	650	350	390	300	850	M32x1.5	M32x1.5	111.5
3DP 50-160/7.5	65	122	145	185	20	50	102	125	165	20	390	160	180	198	100	296	928	442	100	650	350	390	300	850	M32x1.5	M32x1.5	115.4
3DP 50-200/9.2	65	122	145	185	20	50	102	125	165	20	410	160	200	198	100	296	968	482	100	650	350	390	300	850	M32x1.5	M32x1.5	124.1
3DP 50-200/11	65	122	145	185	20	50	102	125	165	20	410	160	200	238	100	296	1071	610	100	800	380	420	330	1000	M40x1.5	M32x1.5	144.4
3DP 50-200/15	65	122	145	185	20	50	102	125	165	20	410	160	200	238	100	296	1071	610	100	800	380	420	330	1000	M40x1.5	M40x1.5	154.4
3DP 65-125/4.0	80	138	160	200	22	65	122	145	185	20	390	160	180	171	100	263	851	388	80	590	350	390	300	750	M25x1.5	M20x1.5	70.9
3DP 65-125/5.5	80	138	160	200	22	65	122	145	185	20	390	160	180	198	100	263	908	442	100	650	350	390	300	850	M32x1.5	M32x1.5	115.3
3DP 65-125/7.5	80	138	160	200	22	65	122	145	185	20	390	160	180	198	100	263	928	442	100	650	350	390	300	850	M32x1.5	M32x1.5	129.9
3DP 65-160/7.5	80	138	160	200	22	65	122	145	185	20	410	160	200	198	100	296	928	442	100	650	350	390	300	850	M32x1.5	M32x1.5	133.2
3DP 65-160/9.2	80	138	160	200	22	65	122	145	185	20	410	160	200	198	100	296	968	482	100	650	350	390	300	850	M32x1.5	M32x1.5	138.0
3DP 65-160/11	80	138	160	200	22	65	122	145	185	20	410	160	200	238	100	296	1071	610	100	800	380	420	330	1000	M40x1.5	M40x1.5	144.8
3DP 65-160/15	80	138	160	200	22	65	122	145	185	20	455	160	200	238	100	296	1071	610	100	800	380	420	330	1000	M40x1.5	M40x1.5	151.0
3DP 65-200/15	80	138	160	200	22	65	122	145	185	20	455	180	225	238	100	312	1071	610	100	800	380	420	330	1000	M40x1.5	M40x1.5	156.0
3DP 65-200/18.5	80	138	160	200	22	65	122	145	185	20	455	180	225	238	100	312	1115	654	100	800	380	420	330	1000	M40x1.5	M40x1.5	156.2
3DP 65-200/22	80	138	160	200	22	65	122	145	185	20	455	180	225	268	100	312	1150	690	100	800	410	450	360	1000	M40x1.5	M40x1.5	211.0

# 3D SERIES

## NORMALISED AND MONOBLOCK CENTRIFUGAL ELECTROPUMPS CONFORMING TO EN 733 (EX DIN 24255)

Joint for 3DS SERIES

2 Poles



DIMENSIONAL TABLE

Model	[HP]	[kW]	Grand. Motor	Dimensions [mm]										Screws set
				d	d1	d2	d3	M	L	L1	b	h		
3DS 32-125/1.1	1.5	1.1	80	19	22	19	33	M16x1.5	98	43	6	21.8	M6x6	
3DS 32-160/1.5	2	1.5	90	19	22	24	39	M16x1.5	110	53	8	27.3	M8x8	
3DS 32-160/2.2	3	2.2	90	19	22	24	39	M16x1.5	110	53	8	27.3	M8x8	
3DS 32-200/3.0	4	3	100	19	22	28	43	M16x1.5	122	63	8	31.3	M8x8	
3DS 32-200/4.0	5.5	4	112	19	22	28	43	M16x1.5	122	63	8	31.3	M8x8	
3DS 32-200/7.5	10	7.5	132	19	22	38	58	M16x1.5	145	84	10	41.3	M8x8	
3DS 40-125/1.5	2	1.5	90	19	22	24	39	M16x1.5	110	53	8	27.3	M8x8	
3DS 40-125/2.2	3	2.2	90	19	22	24	39	M16x1.5	110	53	8	27.3	M8x8	
3DS 40-160/3.0	4	3	100	19	22	28	43	M16x1.5	122	63	8	31.3	M8x8	
3DS 40-160/4.0	5.5	4	112	19	22	28	43	M16x1.5	122	63	8	31.3	M8x8	
3DS 40-200/5.5	7.5	5.5	132	19	22	38	58	M16x1.5	145	84	10	41.3	M8x8	
3DS 40-200/7.5	10	7.5	132	19	22	38	58	M16x1.5	145	84	10	41.3	M8x8	
3DS 40-200/11	15	11	160	19	22	42	63	M16x1.5	178	114	12	45.3	M8x8	
3DS 50-125/2.2	3	2.2	90	19	22	24	39	M16x1.5	110	53	8	27.3	M8x8	
3DS 50-125/3.0	4	3	100	19	22	28	43	M16x1.5	122	63	8	31.3	M8x8	
3DS 50-125/4.0	5.5	4	112	19	22	28	43	M16x1.5	122	63	8	31.3	M8x8	
3DS 50-160/5.5	7.5	5.5	132	19	22	38	58	M16x1.5	145	84	10	41.3	M8x8	
3DS 50-160/7.5	10	7.5	132	19	22	38	58	M16x1.5	145	84	10	41.3	M8x8	
3DS 50-200/9.2	12.5	9.2	132	19	22	38	58	M16x1.5	145	84	10	41.3	M8x8	
3DS 50-200/11	15	11	160	19	22	42	63	M16x1.5	178	114	12	45.3	M8x8	
3DS 50-200/15	20	15	160	22	22	42	63	M18x1.5	209	114	12	45.3	M8x8	
3DS 65-125/4.0	5.5	4	112	19	22	28	43	M16x1.5	122	63	8	31.3	M8x8	
3DS 65-125/5.5	7.5	5.5	132	19	22	38	58	M16x1.5	145	84	10	41.3	M8x8	
3DS 65-125/7.5	10	7.5	132	19	22	38	58	M16x1.5	145	84	10	41.3	M8x8	
3DS 65-160/7.5	10	7.5	132	19	22	38	58	M16x1.5	145	84	10	41.3	M8x8	
3DS 65-160/9.2	12.5	9.2	132	19	22	38	58	M16x1.5	145	84	10	41.3	M8x8	
3DS 65-160/11	15	11	160	19	22	42	63	M16x1.5	178	114	12	45.3	M8x8	
3DS 65-160/15	20	15	160	24	30	42	63	M20x1.5	184	114	12	45.3	M8x8	
3DS 65-200/15	20	15	160	24	30	42	63	M20x1.5	184	114	12	45.3	M8x8	
3DS 65-200/18.5	25	18.5	160	24	30	42	63	M20x1.5	184	114	12	45.3	M8x8	
3DS 65-200/22	30	22	180	24	30	48	72	M20x1.5	184	114	14	51.8	M10x10	

The content of this publication should not be considered mandatory. EBARA Pumps Europe S.p.A. reserves the right to change the content without prior notice.

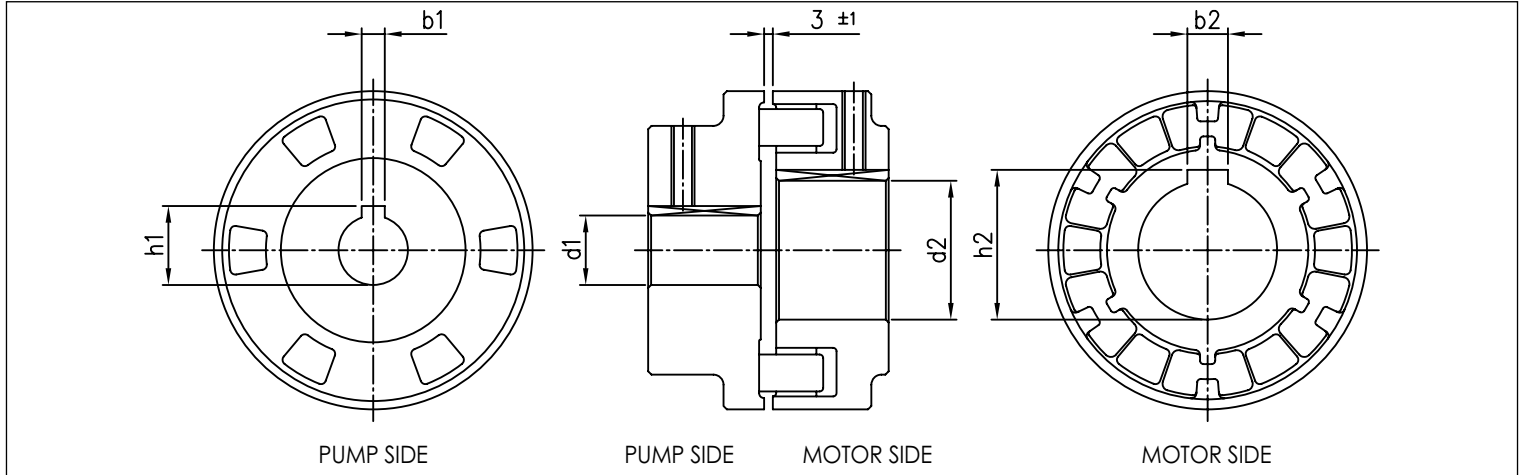


# 3D SERIES

## NORMALISED AND MONOBLOCK CENTRIFUGAL ELECTROPUMPS CONFORMING TO EN 733 (EX DIN 24255)

Joint for 3DP SERIES

2 Poles



### DIMENSIONAL TABLE

Model	[HP]	[kW]	Grand. Motor	Dimensions [mm]					
				d1	b1	h1	d2	b2	h2
3DP 32-125/1.1	1.5	1.1	80	24	8	27.3	19	6	21.8
3DP 32-160/1.5	2	1.5	90	24	8	27.3	24	8	27.3
3DP 32-160/2.2	3	2.2	90	24	8	27.3	24	8	27.3
3DP 32-200/3.0	4	3	100	24	8	27.3	28	8	31.3
3DP 32-200/4.0	5.5	4	112	24	8	27.3	28	8	31.3
3DP 32-200/7.5	10	7.5	132	24	8	27.3	38	10	41.3
3DP 40-125/1.5	2	1.5	90	24	8	27.3	24	8	27.3
3DP 40-125/2.2	3	2.2	90	24	8	27.3	24	8	27.3
3DP 40-160/3.0	4	3	100	24	8	27.3	28	8	31.3
3DP 40-160/4.0	5.5	4	112	24	8	27.3	28	8	31.3
3DP 40-200/5.5	7.5	5.5	132	24	8	27.3	38	10	41.3
3DP 40-200/7.5	10	7.5	132	24	8	27.3	38	10	41.3
3DP 40-200/11	15	11	160	24	8	27.3	42	12	45.3
3DP 50-125/2.2	3	2.2	90	24	8	27.3	24	8	27.3
3DP 50-125/3.0	4	3	100	24	8	27.3	28	8	31.3
3DP 50-125/4.0	5.5	4	112	24	8	27.3	28	8	31.3
3DP 50-160/5.5	7.5	5.5	132	24	8	27.3	38	10	41.3
3DP 50-160/7.5	10	7.5	132	24	8	27.3	38	10	41.3
3DP 50-200/9.2	12.5	9.2	132	24	8	27.3	38	10	41.3
3DP 50-200/11	15	11	160	24	8	27.3	42	12	45.3
3DP 50-200/15	20	15	160	24	8	27.3	42	12	45.3
3DP 65-125/4.0	5.5	4	112	24	8	27.3	28	8	31.3
3DP 65-125/5.5	7.5	5.5	132	24	8	27.3	38	10	41.3
3DP 65-160/7.5	10	7.5	132	24	8	27.3	38	10	41.3
3DP 65-160/9.2	12.5	9.2	132	24	8	27.3	38	10	41.3
3DP 65-160/11	15	11	160	24	8	27.3	42	12	45.3
3DP 65-160/15	20	15	160	24	8	27.3	42	12	45.3
3DP 65-200/15	20	15	160	24	8	27.3	42	12	45.3
3DP 65-200/18.5	25	18.5	160	24	8	27.3	42	12	45.3
3DP 65-200/22	30	22	180	24	8	27.3	48	14	51.8

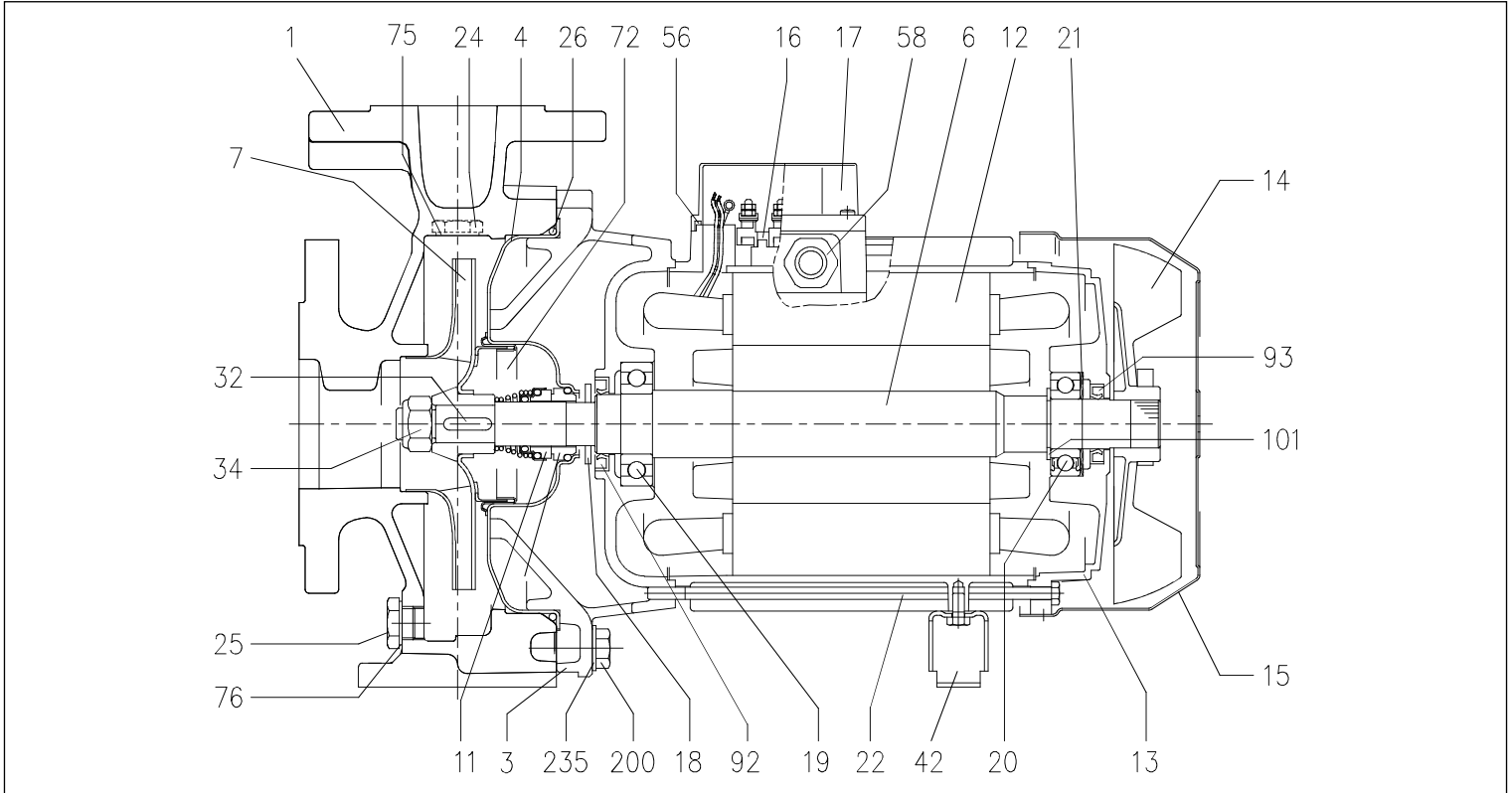
The content of this publication should not be considered mandatory. EBARA Pumps Europe S.p.A. reserves the right to change the content without prior notice.

# 3D SERIES

**NORMALISED AND MONOBLOCK CENTRIFUGAL ELECTROPUMPS  
CONFORMING TO EN 733 (EX DIN 24255)**

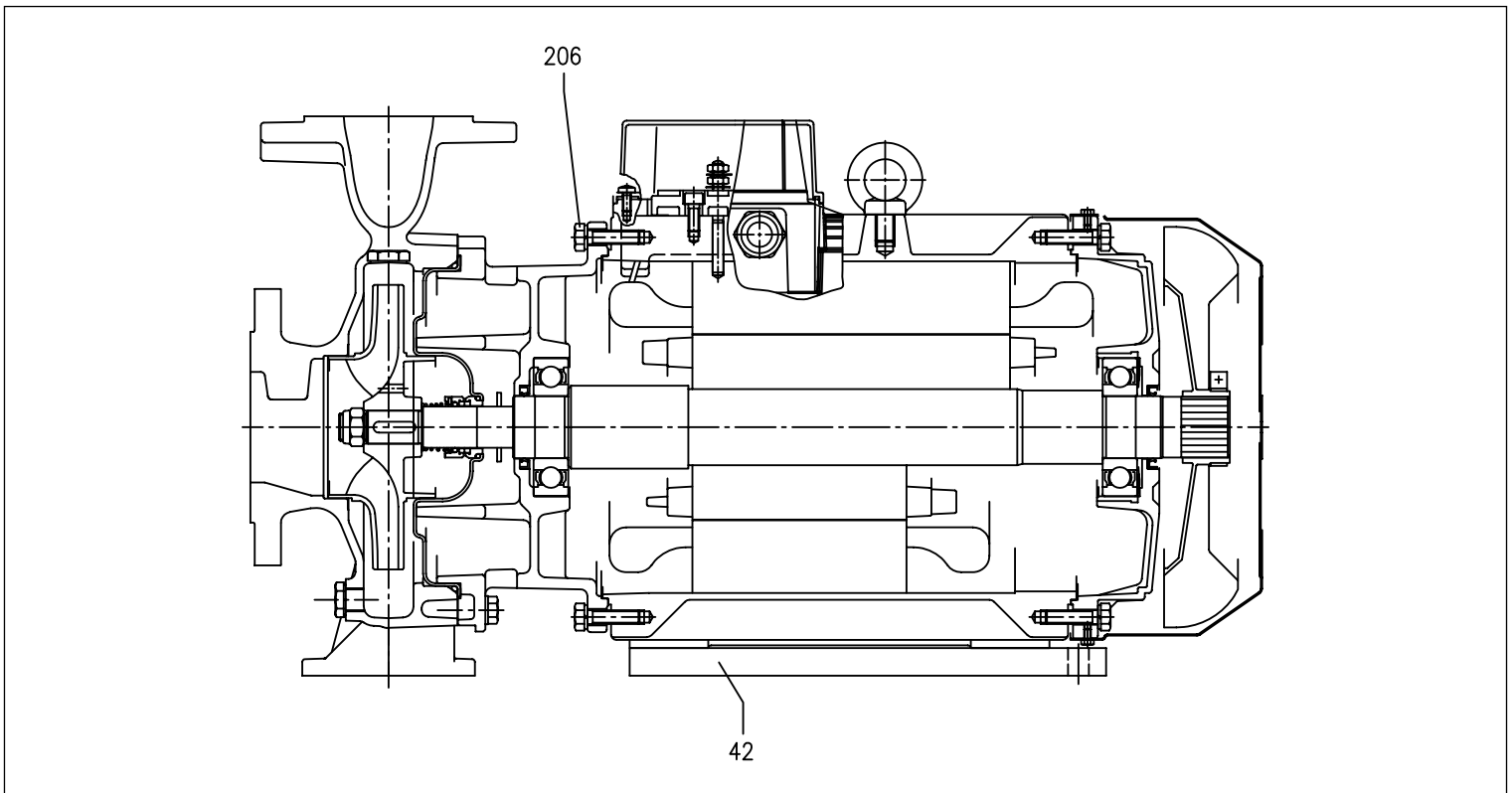
**SECTIONAL VIEW 3D 32, 40, 50, 65 SERIES - up to 11 kW**

**2 Poles**



**SECTIONAL VIEW 3D 32, 40, 50, 65 SERIES - from 15 kW and over**

**2 Poles**



The content of this publication should not be considered mandatory. EBARA Pumps Europe S.p.A. reserves the right to change the content without prior notice.

# 3D SERIES

## NORMALISED AND MONOBLOCK CENTRIFUGAL ELECTROPUMPS CONFORMING TO EN 733 (EX DIN 24255)

### MATERIALS TABLE

Ref.	Name	Materials
001	Pump casing	Cast iron EN-GJL-250-EN 1561
003	Motor bracket	[1]
004	Casing cover	EN 1.4301 (AISI 304)
006	Shaft (part in contact with the liquid)	EN 1.4301 (AISI 304)
007	Impeller	[2]
011	Mechanical seal	Ceramic/Carbon/NBR
012	Motor frame	-
013	Motor cover	Aluminium
014	Fan	PA
015	Fan cover	Galvanised Fe P04
016	Terminal Box	-
017	Terminal Box cover	Aluminium (for three phase version only)
018	Splash washer	NBR
019	Bearing (pump side)	-
020	Bearing (motor side)	-
021	Adjustment ring	Steel C70
022	Tie-rod	Galvanised Fe 42
	Screw	Galvanised steel 8.8 class ISO 898-1
024	Plug	Brass
025	Plug	Brass
026	O-Ring	NBR [3]
032	Key	EN 1.4401 (AISI 316)
034	Impeller nut	EN 1.4301 (AISI 304)
042	Motor support	Aluminium / Galvanised steel
056	Terminal box gasket	NBR
058	Cable gland	-
072	Casing ring [4]	EN 1.4301 (AISI 304)
075	Washer	Aluminium
076	Washer	Aluminium
092	Seal ring	-
093	Seal ring	-
101	Elastic ring [5]	Carbon Steel TC 80
200	Screw	Galvanised steel 8.8 class ISO 898-1
235	Washer	Galvanised steel
206	Screw (support) [6]	Galvanised steel 8.8 class ISO 898-1

[1]= Cast iron EN-GJL-200-EN 1561 for 3D 32-200/3 SERIES and models with 15, 18.5 and 22 kW; aluminium AL-EN-1706-AC-46000-D for the other models

[2]= EN 1.4301 (AISI 304) for 3D 32, 40, 50 SERIES; EN 1.4401 (AISI 316) for 3D 65 SERIES

[3]= FKM for H, HS, HW, HSW versions; EDPM for E version

[4]= Only for SERIES 3D 32-200, 40-200, 50-160, 50-200/9,2 and 50-200/11

[5]= Only for 9.2 and 11 kW models

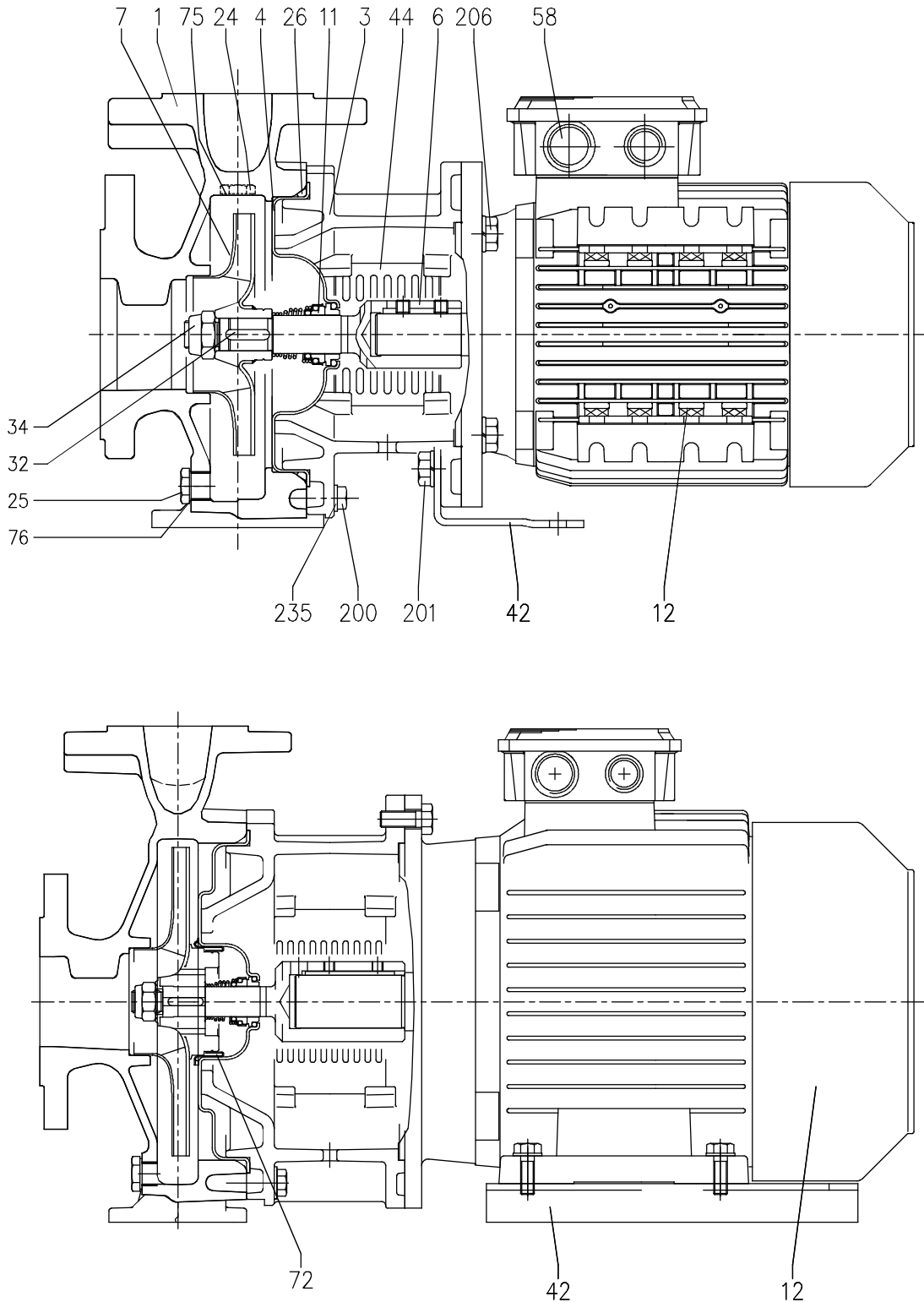
[6]= Only for models starting from 15 kW and over

# 3D SERIES

**NORMALISED AND MONOBLOCK CENTRIFUGAL ELECTROPUMPS  
CONFORMING TO EN 733 (EX DIN 24255)**

SECTIONAL VIEW 3DS 32, 40, 50 SERIES

2 Poles



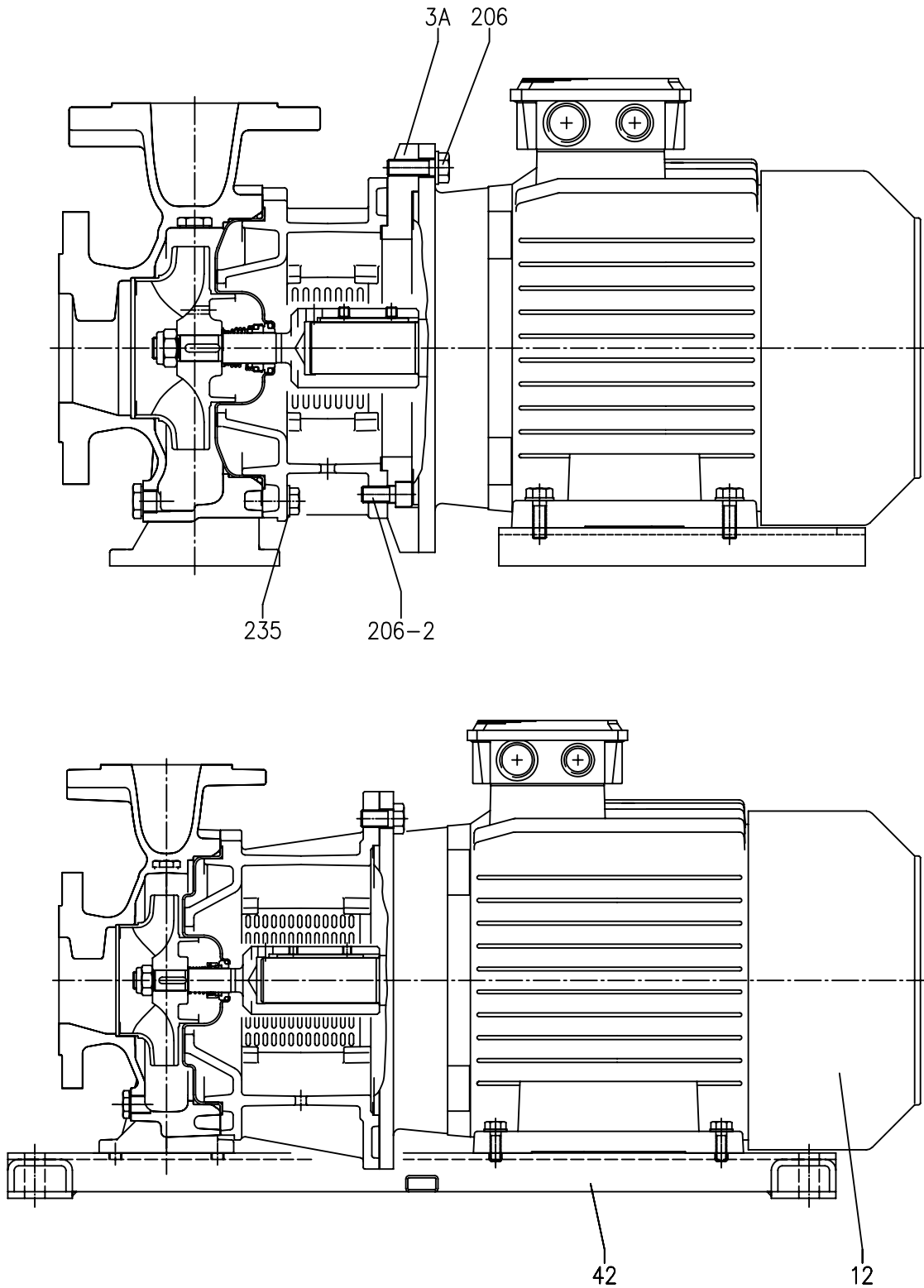
The content of this publication should not be considered mandatory. EBARA Pumps Europe S.p.A. reserves the right to change the content without prior notice.

# 3D SERIES

NORMALISED AND MONOBLOCK CENTRIFUGAL ELECTROPUMPS  
CONFORMING TO EN 733 (EX DIN 24255)

SECTIONAL VIEW 3DS 65 SERIES

2 Poles



# 3D SERIES

## NORMALISED AND MONOBLOCK CENTRIFUGAL ELECTROPUMPS CONFORMING TO EN 733 (EX DIN 24255)

### MATERIALS TABLE

Ref.	Name	Materials
001	Pump casing	Cast iron EN-GJL-250-EN 1561
003	Motor bracket	Cast iron EN-GJL-250-EN 1561
003A	Adapter ring [1]	Cast iron EN-GJL-250-EN 1561
004	Shaft	EN 1.4301 (AISI 304)
006	Joint (part in contact with the liquid)	EN 1.4301 (AISI 304)
007	Impeller	[2]
011	Mechanical seal	Ceramic/Carbon/NBR
012	Motor	-
024	Plug	Brass
025	Plug	Brass
026	O-Ring	NBR [3]
032	Key	EN 1.4401 (AISI 316)
034	Impeller nut	EN 1.4301 (AISI 304)
042	Motor support	Galvanised steel
044	Support protection	EN 1.4301 (AISI 304)
058	Cable gland	-
072	Casing ring [4]	EN 1.4301 (AISI 304)
075	Washer	Aluminium
076	Washer	Aluminium
200	Screw	Galvanised steel 8.8 class ISO 898-1
201	Screw [5]	Galvanised steel 8.8 class ISO 898-1
206	Screw (support)	Galvanised steel 8.8 class ISO 898-1
206-2	Adapter ring screw	Galvanised steel 8.8 class ISO 898-1
235	Washer	Galvanised steel

[1]= Only for 3D SERIES models 65-125/5.5 and 65-125/7.5

[2]= EN 1.4301 (AISI 304) for 3D 32, 40, 50 SERIES; EN 1.4401 (AISI 316) for 3D 65 SERIES

[3]= FKM for H, HS, HW, HSW versions; EPDM for E version

[4]= Only for 3D SERIES models 32-200, 40-200, 50-160, 50-200

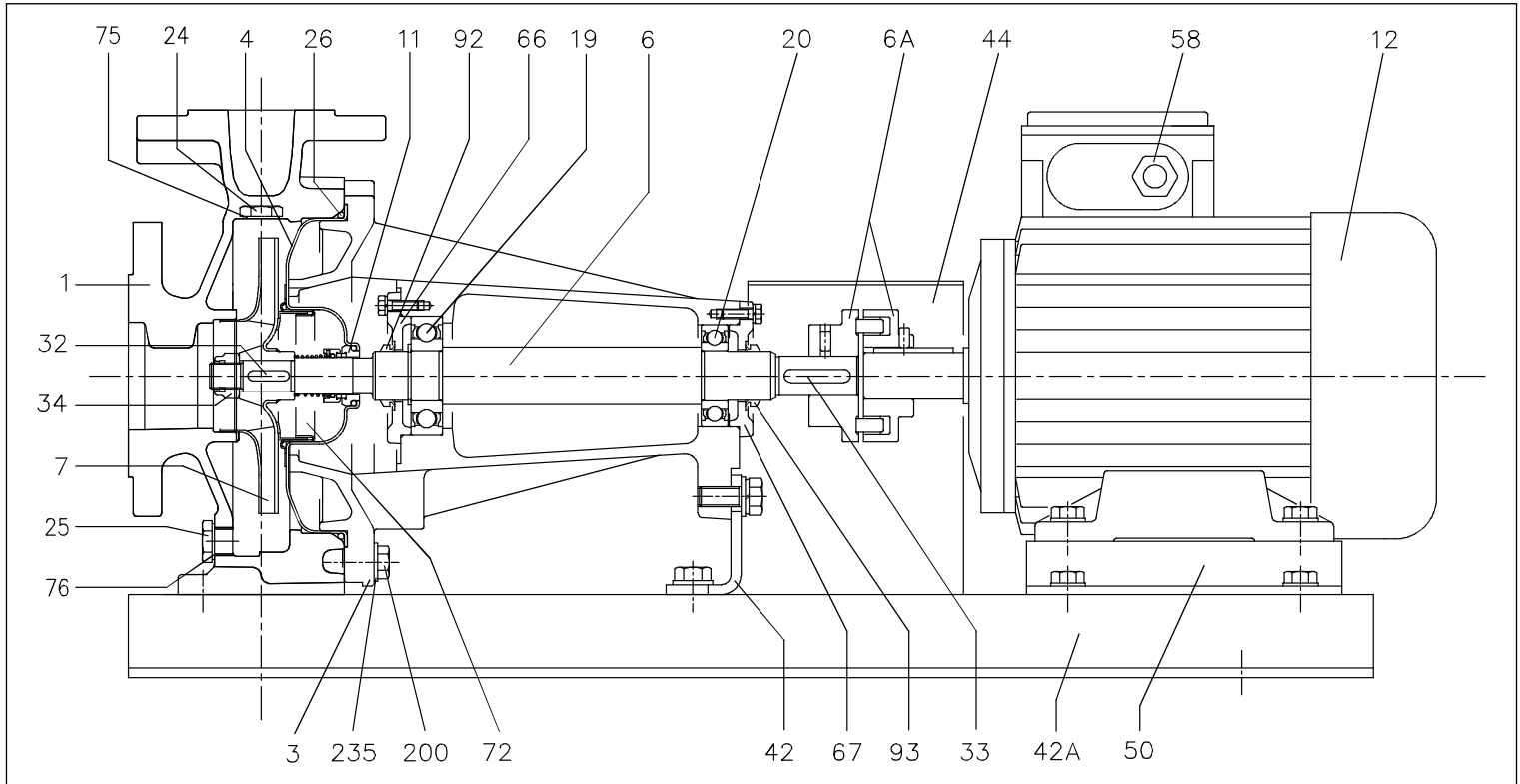
[5]= Only for 3D SERIES models 32-125/1.1, 32-160/1.5, 32-160/2.2, 40-125/1.5, 40-125/2.2, 50-125/2.2

# 3D SERIES

## NORMALISED AND MONOBLOCK CENTRIFUGAL ELECTROPUMPS CONFORMING TO EN 733 (EX DIN 24255)

SECTIONAL VIEW 3DP 32, 40, 50, 65 SERIES

2 Poles



### MATERIALS TABLE

Ref.	Name	Materials
001	Pump casing	Cast iron EN-GJL-250-EN 1561
003	Motor bracket	Cast iron EN-GJL-250-EN 1561
004	Casing cover	EN 1.4301 (AISI 304)
006	Shaft (part in contact with the liquid)	EN 1.4301 (AISI 304)
006A	Flexible joint	Cast iron EN-GJL-250-EN 1561
007	Impeller	[1]
011	Mechanical seal	Ceramic/Carbon/NBR
012	Motor	-
019	Bearing	-
020	Bearing	-
024	Plug	Brass
025	Plug	Brass
026	O-Ring	NBR [2]
032	Key	EN 1.4401 (AISI 316)
033	Key	C 40
034	Impeller nut	EN 1.4301 (AISI 304)
042	Pump support	Galvanised Fe 37
042A	Base	Galvanised Fe 37
044	Support protection	Galvanised Fe 37
050	Motor support	Aluminium / Galvanised steel
058	Cable gland	-
066	Bearing cover (impeller side)	Cast iron EN-GJL-250-EN 1561
067	Bearing cover (motor side)	Cast iron EN-GJL-250-EN 1561
072	Casing ring [3]	EN 1.4301 (AISI 304)
075	Washer	Aluminium
076	Washer	Aluminium
092	V Ring	-
093	V Ring	-
200	Screw	Galvanised steel 8.8 class ISO 898-1
235	Washer	Galvanised steel

[1]= EN 1.4301 (AISI 304) for SERIES 3D 32, 40, 50; EN 1.4401 (AISI 316) for SERIES 3D 65

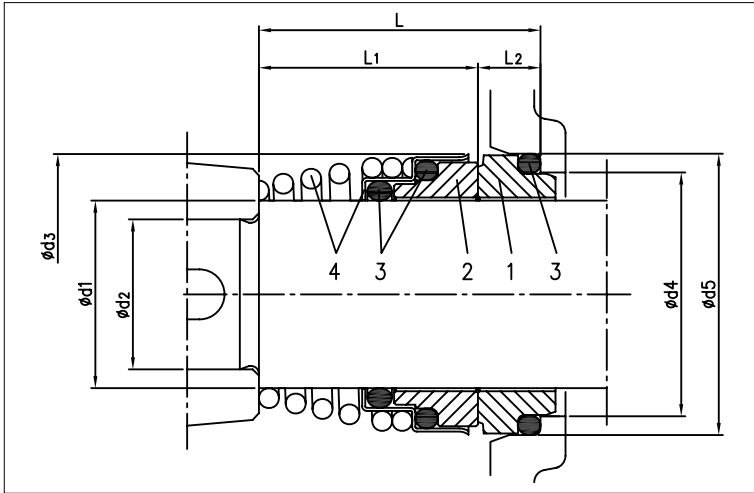
[2]= FKM for H, HS, HW, HSW versions; EPDM for E version

[3]= Only for 3D SERIES models 32-200, 40-200, 50-160, 50-200

# 3D SERIES

## NORMALISED AND MONOBLOCK CENTRIFUGAL ELECTROPUMPS CONFORMING TO EN 733 (EX DIN 24255)

### MECHANICAL SEAL standard version



### MATERIALS TABLE

Ref.	Name	Materials
1	Fixed part	Carbon
2	Rotating part	Ceramic
3	Gasket	NBR
4	Frame + spring	EN 1.4401 (AISI 316)

### SPECIAL MECHANICAL SEALS (On request)

Name	H Version	HS Version	Materials HW Version	HSW Version	E Version
Fixed part	Carbon	Silicon Carbide	Tungsten Carbide	Tungsten Carbide	Carbon
Rotating part	Ceramic	Silicon Carbide	Tungsten Carbide	Silicon Carbide	Ceramic
Gasket	FKM	FKM	FKM	FKM	EPDM
Frame + spring	EN 1.4401 (AISI 316)	EN 1.4571 (AISI 316Ti)	EN 1.4401 (AISI 316)	EN 1.4401 (AISI 316)	EN 1.4401 (AISI 316)

### SPECIAL MECHANICAL SEALS (On request)

Name	U3U3EGG Version	U3CEGG Version	Materials Q1Q1EGG Version	Q1U3EGG Version	Q1AEGG Version
Fixed part	Tungsten Carbide	Tungsten Carbide	Silicon Carbide	Silicon Carbide	Silicon Carbide
Rotating Part	Tungsten Carbide	Special carbon	Silicon Carbide	Tungsten Carbide	Metallised carbon
Elastomers	EPDM	EPDM	EPDM	EPDM	EPDM
Spring	AISI 316	AISI 316	AISI 316	AISI 316	AISI 316

The content of this publication should not be considered mandatory. EBARA Pumps Europe S.p.A. reserves the right to change the content without prior notice.



# 3D SERIES

## NORMALISED AND MONOBLOCK CENTRIFUGAL ELECTROPUMPS CONFORMING TO EN 733 (EX DIN 24255)

ELECTRIC DATA TABLE 3D SERIES

2 Poles

Model		P.		Efficiency		Capacitor		Efficiency (%)			P.		Absorbed Current [A]			
Single phase 230V	Three phase 230/400/690V	[HP]	[kW]	Single phase	Three phase	Single phase $\mu F$	V.	Three phase $\eta$ %			Single phase [kW]	Three phase [kW]	Single phase 230V	Three phase		
								50%	75%	100%			230V	230V	400V	690V
3D 32-125/1.1 M	3D 32-125/1.1	1,5	1,1	-	IE3	31,5	450	78,7	81,7	82,7	1,51	1,77	6,7	5,8	3,3	-
3D 32-160/1.5 M	3D 32-160/1.5	2	1,5	-	IE3	40	450	83,2	84,8	84,2	2,10	1,77	9,6	5,8	3,3	-
3D 32-160/2.2 M	3D 32-160/2.2	3	2,2	-	IE3	50	450	85,0	86,2	86,5	2,95	2,55	13,3	8,2	4,7	-
-	3D 32-200/3.0	4	3	-	IE3	-	-	82,3	85,8	87,1	-	3,44	-	11,1	6,4	-
-	3D 32-200/4.0	5,5	4	-	IE3	-	-	86,8	87,8	88,1	-	4,52	-	15,1	8,7	-
-	3D 32-200/7.5	10	7,5	-	IE3	-	-	88,6	89,2	90,1	-	8,26	-	-	13,6	7,9
3D 40-125/1.5 M	3D 40-125/1.5	2	1,5	-	IE3	40	450	83,2	84,8	84,2	2,10	1,77	9,6	5,8	3,3	-
3D 40-125/2.2 M	3D 40-125/2.2	3	2,2	-	IE3	50	450	85,0	86,2	86,5	2,95	2,55	13,3	8,2	4,7	-
-	3D 40-160/3.0	4	3	-	IE3	-	-	82,3	85,8	87,1	-	3,44	-	11,1	6,4	-
-	3D 40-160/4.0	5,5	4	-	IE3	-	-	86,8	87,8	88,1	-	4,52	-	15,1	8,7	-
-	3D 40-200/5.5	7,5	5,5	-	IE3	-	-	88,0	88,5	89,2	-	6,09	-	-	10,6	6,1
-	3D 40-200/7.5	10	7,5	-	IE3	-	-	88,6	89,2	90,1	-	8,26	-	-	13,6	7,9
-	3D 40-200/11	15	11	-	IE3	-	-	87,4	89,8	91,2	-	11,98	-	-	21,3	12,3
3D 50-125/2.2 M	3D 50-125/2.2	3	2,2	-	IE3	50	450	85,0	86,2	86,5	2,95	2,55	13,3	7,8	4,5	-
3D 50-125/2.2 M	3D 50-125/2.2	3	2,2	-	IE3	50	450	82,3	85,8	87,1	2,95	2,55	13,3	8,2	4,7	-
-	3D 50-125/3.0	4	3	-	IE3	-	-	86,8	87,8	88,1	-	3,44	-	11,1	6,4	-
-	3D 50-125/4.0	5,5	4	-	IE3	-	-	88,0	88,5	89,2	-	4,52	-	15,1	8,7	-
-	3D 50-160/5.5	7,5	5,5	-	IE3	-	-	88,6	89,2	90,1	-	6,09	-	-	10,6	6,1
-	3D 50-160/7.5	10	7,5	-	IE3	-	-	88,6	89,8	90,7	-	8,26	-	-	13,6	7,9
-	3D 50-200/9.2	12,5	9,2	-	IE3	-	-	87,4	89,8	91,2	-	10,12	-	-	17,2	10,0
-	3D 50-200/11	15	11	-	IE3	-	-	91,0	91,3	91,9	-	11,98	-	-	21,3	12,3
-	3D 50-200/15	20	15	-	IE3	-	-	86,8	87,8	88,1	-	18,00	-	-	30,0	17,3
-	3D 65-125/4.0	5,5	4	-	IE3	-	-	85,8	87,4	87,3	-	4,52	-	15,1	8,7	-
-	3D 65-125/5.5	7,5	5,5	-	IE3	-	-	88,0	88,5	89,2	-	6,09	-	-	10,6	6,1
-	3D 65-125/7.5	10	7,5	-	IE3	-	-	88,6	89,2	90,1	-	8,26	-	-	13,6	7,9
-	3D 65-160/7.5	10	7,5	-	IE3	-	-	88,6	89,2	90,1	-	8,26	-	-	13,6	7,9
-	3D 65-160/9.2	12,5	9,2	-	IE3	-	-	88,6	89,8	90,7	-	10,12	-	-	17,2	10,0
-	3D 65-160/11	15	11	-	IE3	-	-	87,4	89,8	91,2	-	11,98	-	-	21,3	12,3
-	3D 65-160/15	20	15	-	IE3	-	-	91,0	91,3	91,9	-	16,32	-	-	27,7	17,3
-	3D 65-200/15	20	15	-	IE3	-	-	91,0	91,3	91,9	-	16,32	-	-	27,7	17,3
-	3D 65-200/18.5	25	18,5	-	IE3	-	-	91,6	92,8	92,4	-	19,98	-	-	35,0	20,3
-	3D 65-200/22	30	22	-	IE3	-	-	92,3	92,9	92,9	-	23,58	-	-	39,7	23,6

# 3D SERIES

## NORMALISED AND MONOBLOCK CENTRIFUGAL ELECTROPUMPS CONFORMING TO EN 733 (EX DIN 24255)

ELECTRIC DATA TABLE 3DS - 3DP SERIES

2 Poles

Model		P <sub>1</sub>		Grand. motor	Efficiency motor	Efficiency (%) Three phase			P <sub>2</sub> Three phase [kW]	Absorbed Current [A]		
3DS SERIES Three phase 230/400/690V	3DP SERIES Three phase 230/400/690V	[HP]	[kW]			50%	75%	100%		Three phase		
										230V	400V	690V
3DS 32-125/1.1	3DP 32-125/1.1	1,5	1,1	80	IE3	78,7	81,7	82,7	1,26	4,2	2,4	-
3DS 32-160/1.5	3DP 32-160/1.5	2	1,5	90S	IE3	83,2	84,8	84,2	1,77	5,2	3,0	-
3DS 32-160/2.2	3DP 32-160/2.2	3	2,2	90L	IE3	85,0	86,2	86,5	2,61	8,0	4,6	-
3DS 32-200/3.0	3DP 32-200/3.0	4	3	100L	IE3	82,3	85,8	87,1	3,45	9,7	5,6	-
3DS 32-200/4.0	3DP 32-200/4.0	5,5	4	112M	IE3	86,8	87,8	88,1	4,51	12,1	7,0	-
3DS 32-200/7.5	3DP 32-200/7.5	10	7,5	132S	IE3	88,6	89,2	90,1	8,35	-	13,1	7,6
3DS 40-125/1.5	3DP 40-125/1.5	2	1,5	90S	IE3	83,2	84,8	84,2	1,77	5,2	3,0	-
3DS 40-125/2.2	3DP 40-125/2.2	3	2,2	90L	IE3	85,0	86,2	86,5	2,61	8,0	4,6	-
3DS 40-160/3.0	3DP 40-160/3.0	4	3	100L	IE3	82,3	85,8	87,1	3,45	9,7	5,6	-
3DS 40-160/4.0	3DP 40-160/4.0	5,5	4	112M	IE3	86,8	87,8	88,1	4,51	12,1	7,0	-
3DS 40-200/5.5	3DP 40-200/5.5	7,5	5,5	132S	IE3	88,0	88,5	89,2	6,24	-	10,0	5,8
3DS 40-200/7.5	3DP 40-200/7.5	10	7,5	132S	IE3	88,6	89,2	90,1	8,35	-	13,1	7,6
3DS 40-200/11	3DP 40-200/11	15	11	160M	IE3	87,4	89,8	91,2	12,15	-	19,7	11,4
3DS 50-125/2.2	3DP 50-125/2.2	3	2,2	90L	IE3	85,0	86,2	86,5	2,61	8,0	4,6	-
3DS 50-125/3.0	3DP 50-125/3.0	4	3	100L	IE3	82,3	85,8	87,1	3,45	9,7	5,6	-
3DS 50-125/4.0	3DP 50-125/4.0	5,5	4	112M	IE3	86,8	87,8	88,1	4,51	12,1	7,0	-
3DS 50-160/5.5	3DP 50-160/5.5	7,5	5,5	132S	IE3	88,0	88,5	89,2	6,24	-	10,0	5,8
3DS 50-160/7.5	3DP 50-160/7.5	10	7,5	132S	IE3	88,6	89,2	90,1	8,35	-	13,1	7,6
3DS 50-200/9.2	3DP 50-200/9.2	12,5	9,2	132M	IE3	88,6	89,8	90,7	10,17	-	16,5	9,5
3DS 50-200/11	3DP 50-200/11	15	11	160M	IE3	87,4	89,8	91,2	12,15	-	19,7	11,4
3DS 50-200/15	3DP 50-200/15	20	15	160M	IE3	91,0	91,3	91,9	16,46	-	26,7	15,4
3DS 65-125/4	3DP 65-125/4	5,5	4	112M	IE3	86,8	87,8	88,1	4,51	12,1	7,0	-
3DS 65-125/5.5	3DP 65-125/5.5	7,5	5,5	132S	IE3	88,0	88,5	89,2	6,24	-	10,0	5,8
3DS 65-125/7.5	3DP 65-125/7.5	10	7,5	132S	IE3	88,6	89,2	90,1	8,35	-	13,1	7,6
3DS 65-160/7.5	3DP 65-160/7.5	10	7,5	132S	IE3	88,6	89,2	90,1	8,35	-	13,1	7,6
3DS 65-160/9.2	3DP 65-160/9.2	12,5	9,2	132M	IE3	88,6	89,8	90,7	10,17	-	16,5	9,5
3DS 65-160/11	3DP 65-160/11	15	11	160M	IE3	87,4	89,8	91,2	12,15	-	19,7	11,4
3DS 65-160/15	3DP 65-160/15	20	15	160M	IE3	91,0	91,3	91,9	16,46	-	26,7	15,4
3DS 65-200/15	3DP 65-200/15	20	15	160M	IE3	91,0	91,3	91,9	16,46	-	26,7	15,4
3DS 65-200/18.5	3DP 65-200/18.5	25	18,5	160L	IE3	91,6	92,8	92,4	20,12	-	33,0	19,1
3DS 65-200/22	3DP 65-200/22	30	22	180M	IE3	92,3	92,9	92,9	23,69	-	38,0	22,0

The content of this publication should not be considered mandatory. EBARA Pumps Europe S.p.A. reserves the right to change the content without prior notice.

# 3D SERIES

## NORMALISED AND MONOBLOCK CENTRIFUGAL ELECTROPUMPS CONFORMING TO EN 733 (EX DIN 24255)

**NOISE DATA TABLE 3D SERIES**

2 Poles

Model	P <sub>2</sub>		L <sub>PA</sub> - dB(A)*
	[HP]	[kW]	
3D 32-125/1.1 (M)	1.5	1.1	69
3D 32-160/1.5 (M)	2	1.5	
3D 32-160/2.2 (M)	3	2.2	
3D 32-200/3.0	4	3	76
3D 32-200/4.0	5.5	4	
3D 32-200/7.5	10	7.5	79
3D 40-125/1.5 (M)	2	1.5	69
3D 40-125/2.2 (M)	3	2.2	
3D 40-160/3.0	4	3	76
3D 40-160/4.0	5.5	4	
3D 40-200/5.5	7.5	5.5	79
3D 40-200/7.5	10	7.5	
3D 40-200/11	15	11	82
3D 50-125/2.2 (M)	3	2.2	69
3D 50-125/3.0	4	3	
3D 50-125/4.0	5.5	4	76
3D 50-160/5.5	7.5	5.5	
3D 50-160/7.5	10	7.5	79
3D 50-200/9.2	12.5	9.2	
3D 50-200/11	15	11	82
3D 50-200/15	20	15	
3D 65-125/4.0	5.5	4	76
3D 65-125/5.5	7.5	5.5	
3D 65-125/7.5	10	7.5	79
3D 65-160/7.5	10	7.5	
3D 65-160/9.2	12.5	9.2	82
3D 65-160/11	15	11	
3D 65-160/15	20	15	86
3D 65-200/15	20	15	
3D 65-200/18.5	25	18.5	
3D 65-200/22	30	22	

\* Mean value of several measurements at 1 m distance around the pump.  
Tolerance ± 2.5 dB.

**NOISE DATA TABLE 3DS - 3DP SERIES**

2 Poles

Model		P <sub>2</sub>		L <sub>PA</sub> - dB(A)*
3DS	3DP	[HP]	[kW]	
3DS 32-125/1.1	3DP 32-125/1.1	1.5	1.1	<70
3DS 32-160/1.5	3DP 32-160/1.5	2	1.5	
3DS 32-160/2.2	3DP 32-160/2.2	3	2.2	
3DS 32-200/3.0	3DP 32-200/3.0	4	3	72
3DS 32-200/4.0	3DP 32-200/4.0	5.5	4	
3DS 32-200/7.5	3DP 32-200/7.5	10	7.5	72
3DS 40-125/1.5	3DP 40-125/1.5	2	1.5	<70
3DS 40-125/2.2	3DP 40-125/2.2	3	2.2	
3DS 40-160/3.0	3DP 40-160/3.0	4	3	
3DS 40-160/4.0	3DP 40-160/4.0	5.5	4	72
3DS 40-200/5.5	3DP 40-200/5.5	7.5	5.5	
3DS 40-200/7.5	3DP 40-200/7.5	10	7.5	74
3DS 40-200/11	3DP 40-200/11	15	11	74
3DS 50-125/2.2	3DP 50-125/2.2	3	2.2	<70
3DS 50-125/3.0	3DP 50-125/3.0	4	3	
3DS 50-125/4.0	3DP 50-125/4.0	5.5	4	
3DS 50-160/5.5	3DP 50-160/5.5	7.5	5.5	72
3DS 50-160/7.5	3DP 50-160/7.5	10	7.5	
3DS 50-200/9.2	3DP 50-200/9.2	12.5	9.2	74
3DS 50-200/11	3DP 50-200/11	15	11	
3DS 50-200/15	3DP 50-200/15	20	15	<70
3DS 65-125/4.0	3DP 65-125/4.0	5.5	4	72
3DS 65-125/5.5	3DP 65-125/5.5	7.5	5.5	
3DS 65-125/7.5	3DP 65-125/7.5	10	7.5	
3DS 65-160/7.5	3DP 65-160/7.5	10	7.5	74
3DS 65-160/9.2	3DP 65-160/9.2	12.5	9.2	
3DS 65-160/11	3DP 65-160/11	15	11	77
3DS 65-160/15	3DP 65-160/15	20	15	
3DS 65-200/15	3DP 65-200/15	20	15	
3DS 65-200/18.5	3DP 65-200/18.5	25	18.5	
3DS 65-200/22	3DP 65-200/22	30	22	77

\* Mean value of several measurements at 1 m distance around the pump.  
Tolerance ± 2.5 dB.

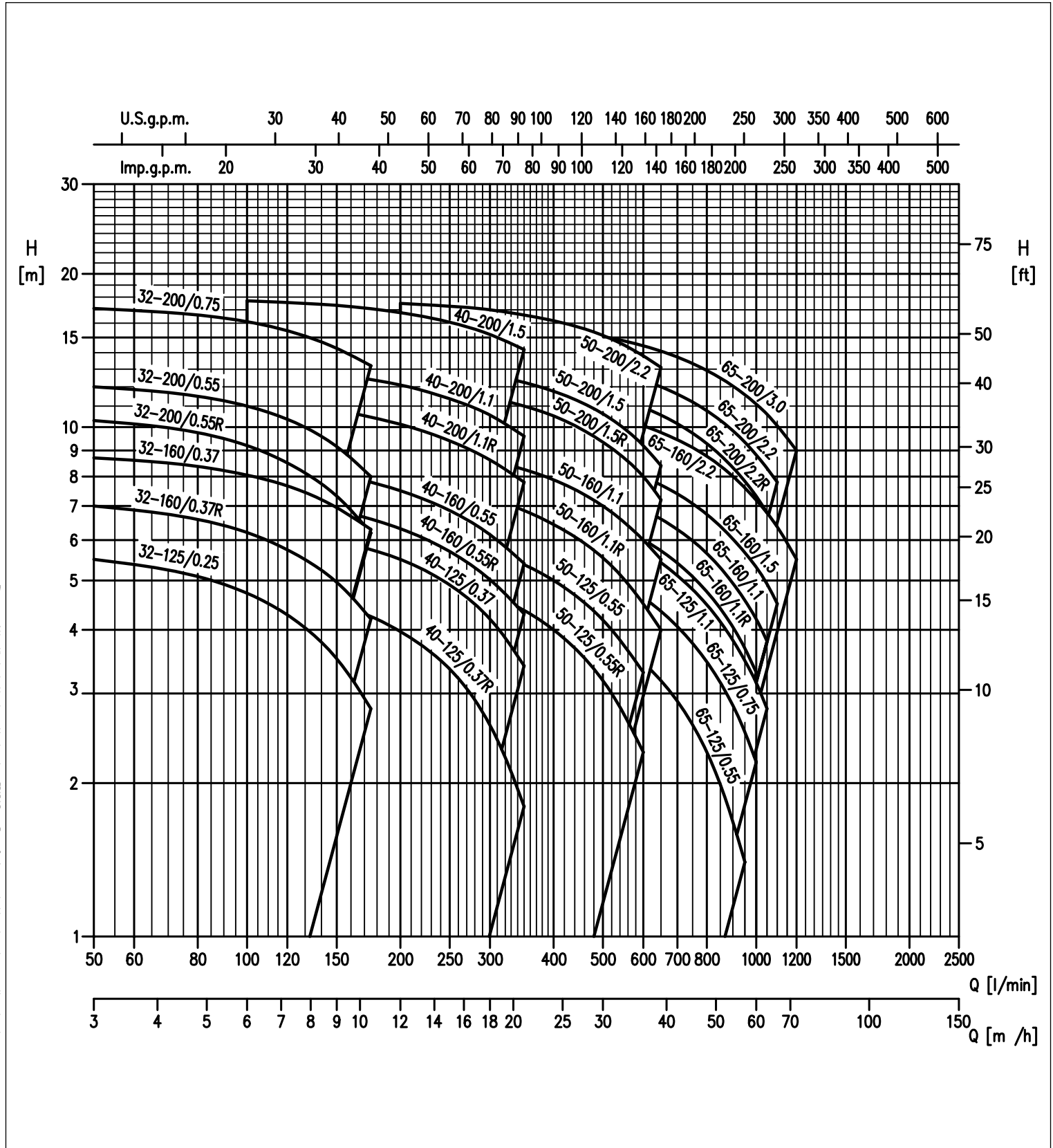


# 3D SERIES

NORMALISED AND MONOBLOCK CENTRIFUGAL ELECTROPUMPS  
CONFORMING TO EN 733 (EX DIN 24255)

PERFORMANCE RANGE at 1400 min<sup>-1</sup> (according to ISO 9906 Attachment A)

4 Poles



The content of this publication should not be considered mandatory. EBARA Pumps Europe S.p.A. reserves the right to change the content without prior notice.

# 3D SERIES

## NORMALISED AND MONOBLOCK CENTRIFUGAL ELECTROPUMPS CONFORMING TO EN 733 (EX DIN 24255)

PERFORMANCE CHART SERIES 3D(.)4 32

4 Poles

Model	P <sub>2</sub>		Q = Flow Rate				
	[HP]	[kW]	l/min	50	100	150	175
			m <sup>3</sup> /h	3	6	9	10.5
							H=Head [m]
3D(.)4 32-125/0.25	0.33	0.25		5.5	4.7		2.8
3D(.)4 32-160/0.37R	0.5	0.37		7.0	6.2		4.2
3D(.)4 32-160/0.37	0.5	0.37		8.7	8.1		6.3
3D(.)4 32-200/0.55R	0.75	0.55		10.3	9.2		6.2
3D(.)4 32-200/0.55	0.75	0.55		12.0	11.0		8.0
3D(.)4 32-200/0.75	1	0.75		17.1	16.1		13.2

PERFORMANCE CHART SERIES 3D(.)4 40

4 Poles

Model	P <sub>2</sub>		Q = Flow Rate							
	[HP]	[kW]	l/min	100	150	175	200	250	300	350
			m <sup>3</sup> /h	6	9	10.5	12	15	18	21
										H=Head [m]
3D(.)4 40-125/0.37R	0.5	0.37		4.8	4.5	4.3	4.0	3.4	2.6	1.8
3D(.)4 40-125/0.37	0.5	0.37		6.3	6.0	5.8	5.5	4.9	4.2	3.4
3D(.)4 40-160/0.55R	0.75	0.55		7.3	6.9	6.6	6.3	5.7	5.0	4.3
3D(.)4 40-160/0.55	0.75	0.55		8.6	8.1	7.8	7.5	6.9	6.2	5.4
3D(.)4 40-200/1.1R	1.5	1.1		11.2	10.8	10.5	10.1	9.4	8.6	7.8
3D(.)4 40-200/1.1	1.5	1.1		13.2	12.7	12.4	12.1	11.4	10.6	9.6
3D(.)4 40-200/1.5	2	1.5		17.7	17.3	17.1	16.8	16.1	15.2	14.2

PERFORMANCE CHART SERIES 3D(.)4 50

4 Poles

Model	P <sub>2</sub>		Q = Flow Rate								
	[HP]	[kW]	l/min	200	250	300	350	400	500	600	650
			m <sup>3</sup> /h	12	15	18	21	24	30	36	39
											H=Head [m]
3D(.)4 50-125/0.55R	0.75	0.55		5.2	5.0	4.7	4.4	4.0	3.2	2.3	-
3D(.)4 50-125/0.55	0.75	0.55		6.2	6.0	5.7	5.4	5.0	4.2	3.3	-
3D(.)4 50-160/1.1R	1.5	1.1		7.8	7.6	7.2	6.9	6.4	5.5	4.5	4.0
3D(.)4 50-160/1.1	1.5	1.1		9.1	8.9	8.6	8.3	7.9	7.0	6.0	5.5
3D(.)4 50-200/1.5R	2	1.5		12.1	11.8	11.4	11.0	10.5	9.3	8.0	7.2
3D(.)4 50-200/1.5	2	1.5		13.3	13.0	12.7	12.2	11.8	10.6	9.2	8.4
3D(.)4 50-200/2.2	3	2.2		17.5	17.3	17.0	16.6	16.2	15.1	13.8	13.1

PERFORMANCE CHART SERIES 3D(.)4 65

4 Poles

Model	P <sub>2</sub>		Q = Flow Rate										
	[HP]	[kW]	l/min	300	350	500	600	800	950	1000	1050	1100	1200
			m <sup>3</sup> /h	18	21	30	36	48	57	60	63	66	72
													H=Head [m]
3D(.)4 65-125/0.55	0.75	0.55		4.8	4.6	4.0	3.5	2.3	1.4	-	-	-	-
3D(.)4 65-125/0.75	1	0.75		6.0	5.8	5.2	4.6	3.5	2.5	2.2	-	-	-
3D(.)4 65-125/1.1	1.5	1.1		7.2	7.0	6.3	5.7	4.5	3.5	3.2	2.8	-	-
3D(.)4 65-160/1.1	1.5	1.1		-	8.1	7.4	6.9	5.7	4.6	4.2	3.8	-	-
3D(.)4 65-160/1.5	2	1.5		-	9.2	8.5	8.0	6.7	5.7	5.3	4.9	4.5	-
3D(.)4 65-160/2.2	3	2.2		-	11.3	10.6	10.1	8.8	7.6	7.2	6.8	6.4	5.5
3D(.)4 65-200/2.2R	3	2.2		-	12.4	11.6	10.9	9.3	7.8	7.3	6.8	-	-
3D(.)4 65-200/2.2	3	2.2		-	13.9	13.0	12.4	10.8	9.3	8.8	8.3	7.8	-
3D(.)4 65-200/3	4	3		-	15.8	15.1	14.4	12.9	11.6	11.1	10.6	10.1	9.0

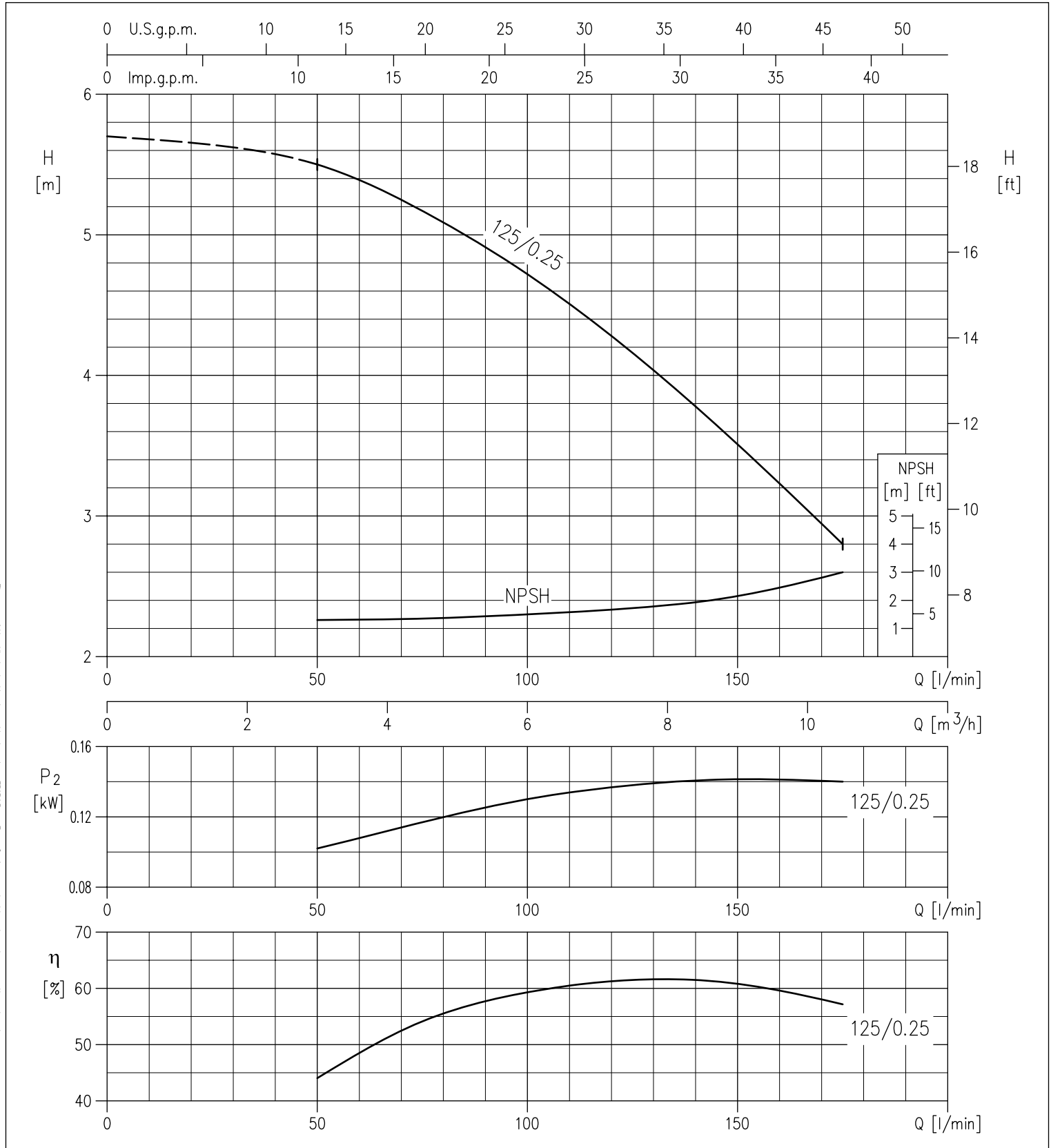


# 3D SERIES

## NORMALISED AND MONOBLOCK CENTRIFUGAL ELECTROPUMPS CONFORMING TO EN 733 (EX DIN 24255)

PERFORMANCE CURVES 3D 4 32-125 SERIES at 1400 min<sup>-1</sup> (according to ISO 9906 Attachment A)

4 Poles



The content of this publication should not be considered mandatory. EBARA Pumps Europe S.p.A. reserves the right to change the content without prior notice.

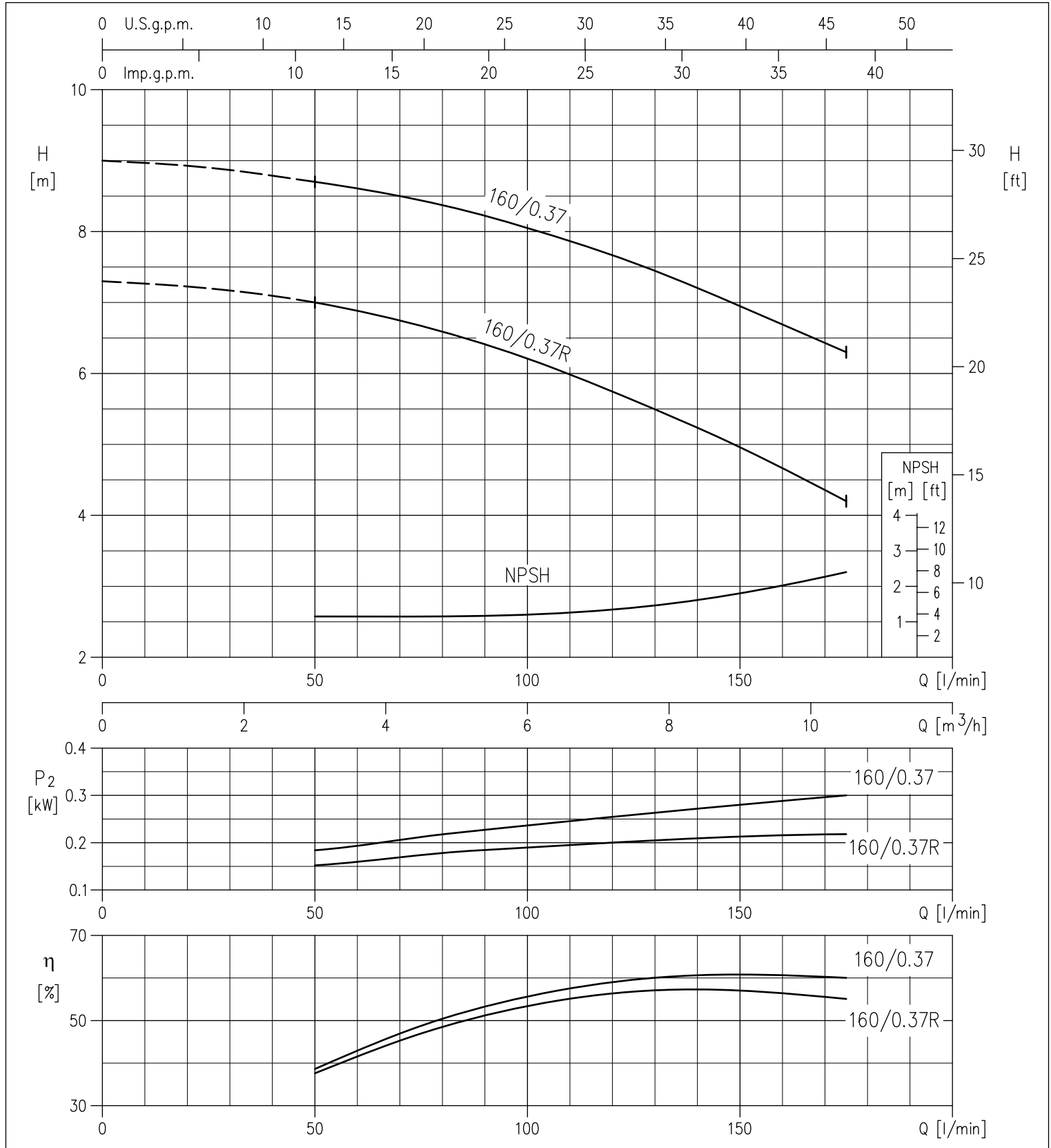


# 3D SERIES

## NORMALISED AND MONOBLOCK CENTRIFUGAL ELECTROPUMPS CONFORMING TO EN 733 (EX DIN 24255)

PERFORMANCE CURVES 3D(,)4 32-160 SERIES at 1400 min<sup>-1</sup> (according to ISO 9906 Attachment A)

4 Poles



The content of this publication should not be considered mandatory. EBARA Pumps Europe S.p.A. reserves the right to change the content without prior notice.

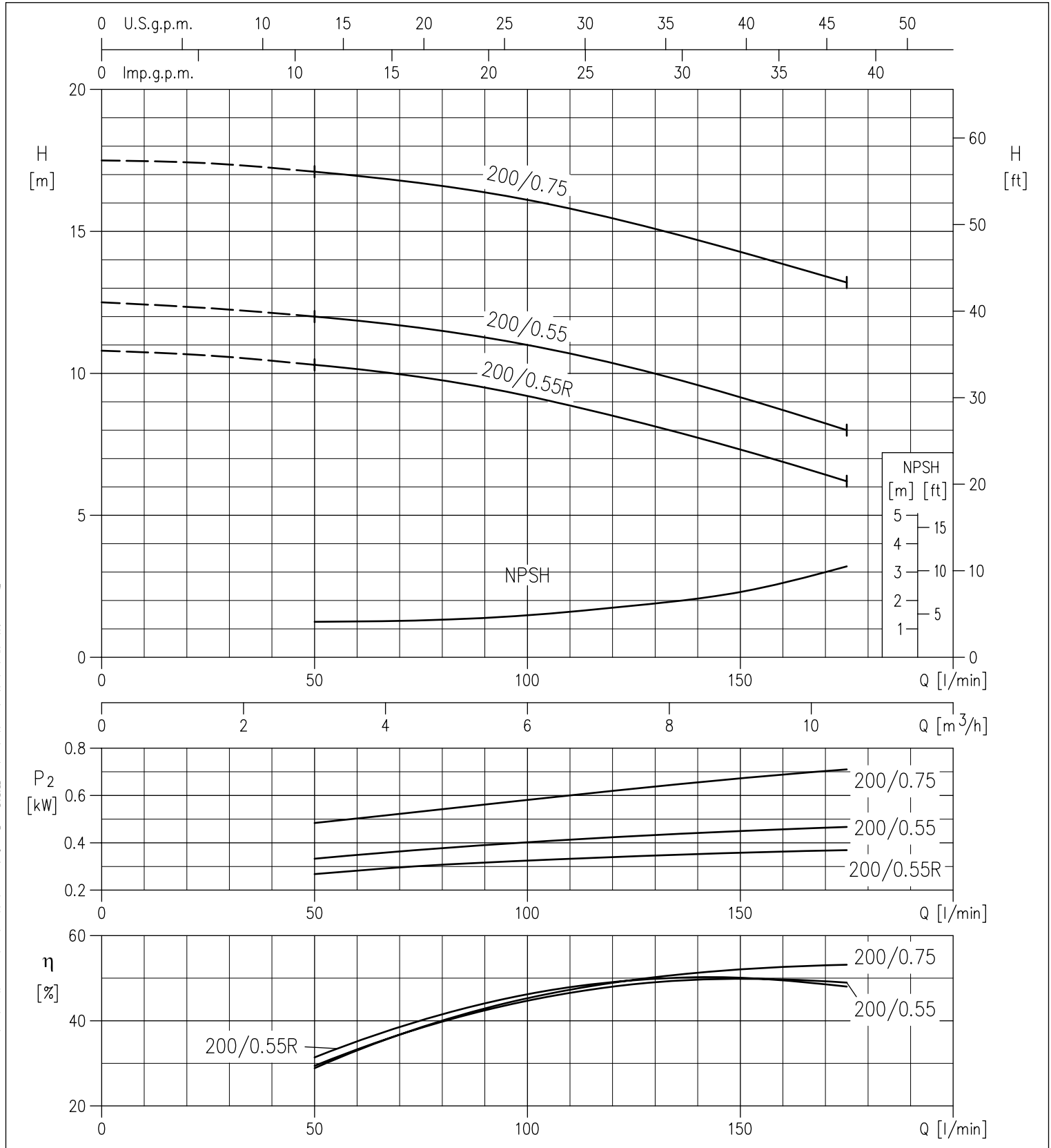


# 3D SERIES

## NORMALISED AND MONOBLOCK CENTRIFUGAL ELECTROPUMPS CONFORMING TO EN 733 (EX DIN 24255)

PERFORMANCE CURVES 3D(,)4 32-200 SERIES at 1400 min<sup>-1</sup> (according to ISO 9906 Attachment A)

4 Poles



The content of this publication should not be considered mandatory. EBARA Pumps Europe S.p.A. reserves the right to change the content without prior notice.



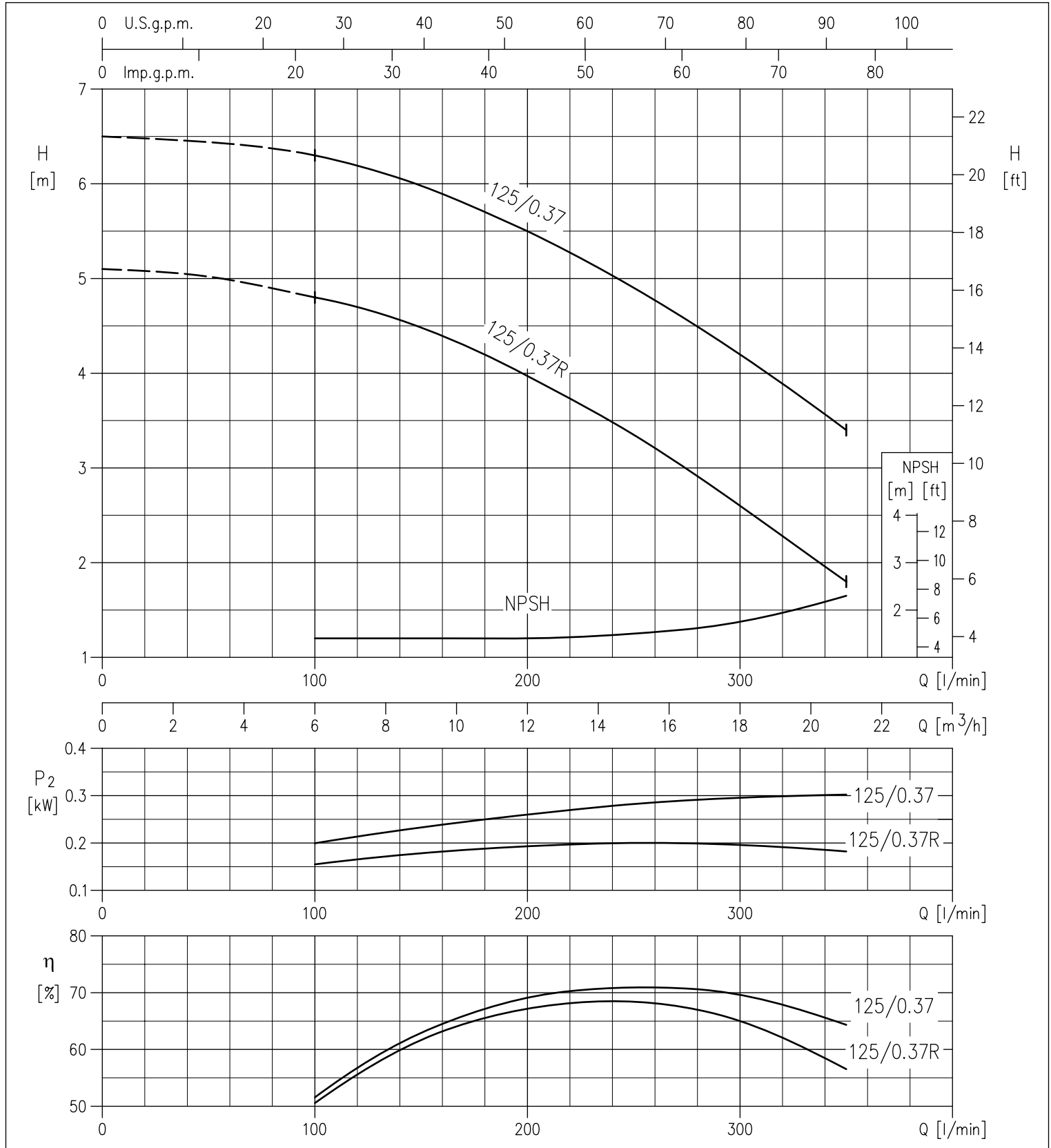


# 3D SERIES

## NORMALISED AND MONOBLOCK CENTRIFUGAL ELECTROPUMPS CONFORMING TO EN 733 (EX DIN 24255)

PERFORMANCE CURVES 3D(,)4 40-125 SERIES at 1400 min<sup>-1</sup> (according to ISO 9906 Attachment A)

4 Poles



The content of this publication should not be considered mandatory. EBARA Pumps Europe S.p.A. reserves the right to change the content without prior notice.

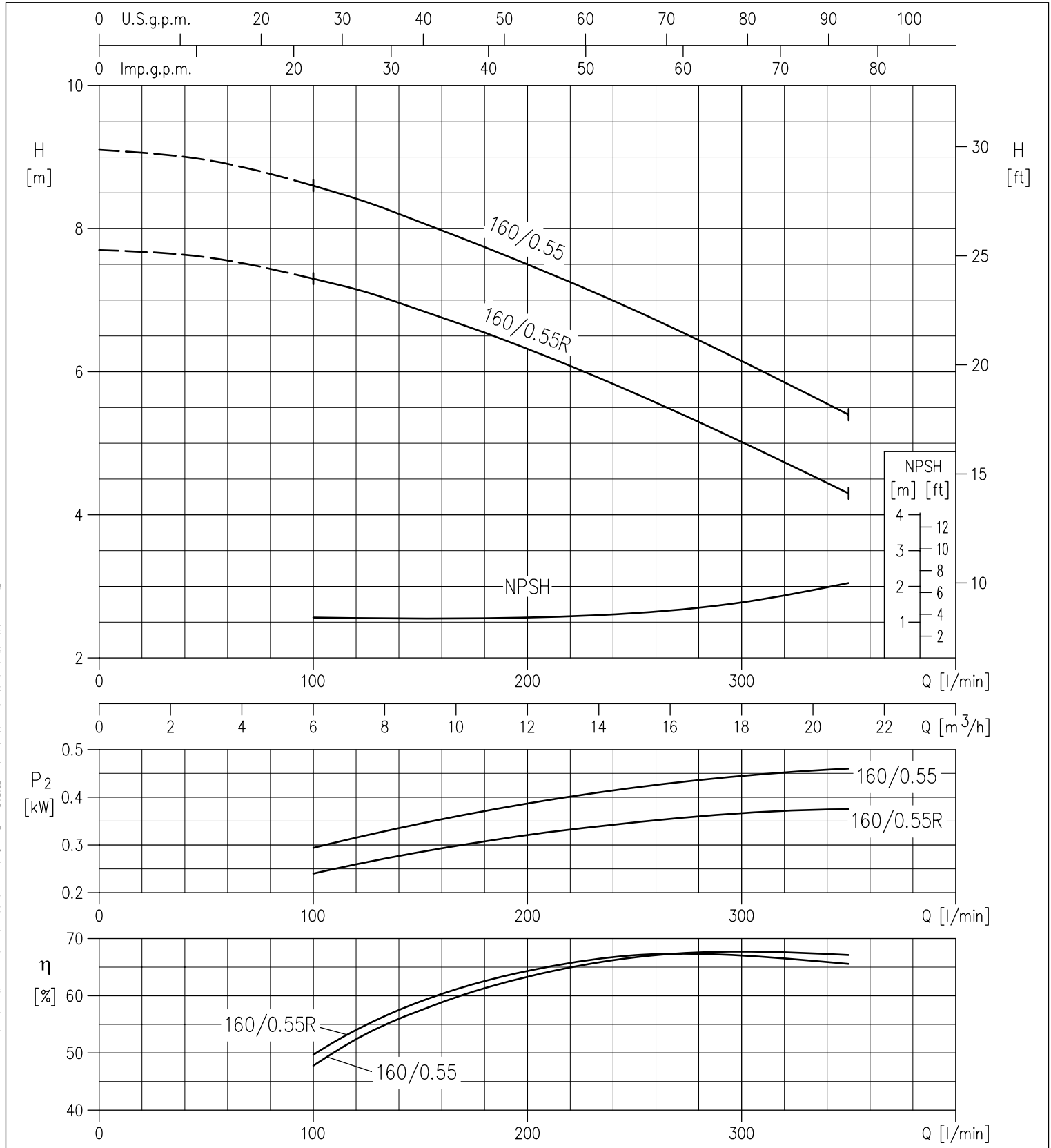


# 3D SERIES

## NORMALISED AND MONOBLOCK CENTRIFUGAL ELECTROPUMPS CONFORMING TO EN 733 (EX DIN 24255)

PERFORMANCE CURVES 3D(,)4 40-160 SERIES at 1400 min<sup>-1</sup> (according to ISO 9906 Attachment A)

4 Poles



The content of this publication should not be considered mandatory. EBARA Pumps Europe S.p.A. reserves the right to change the content without prior notice.

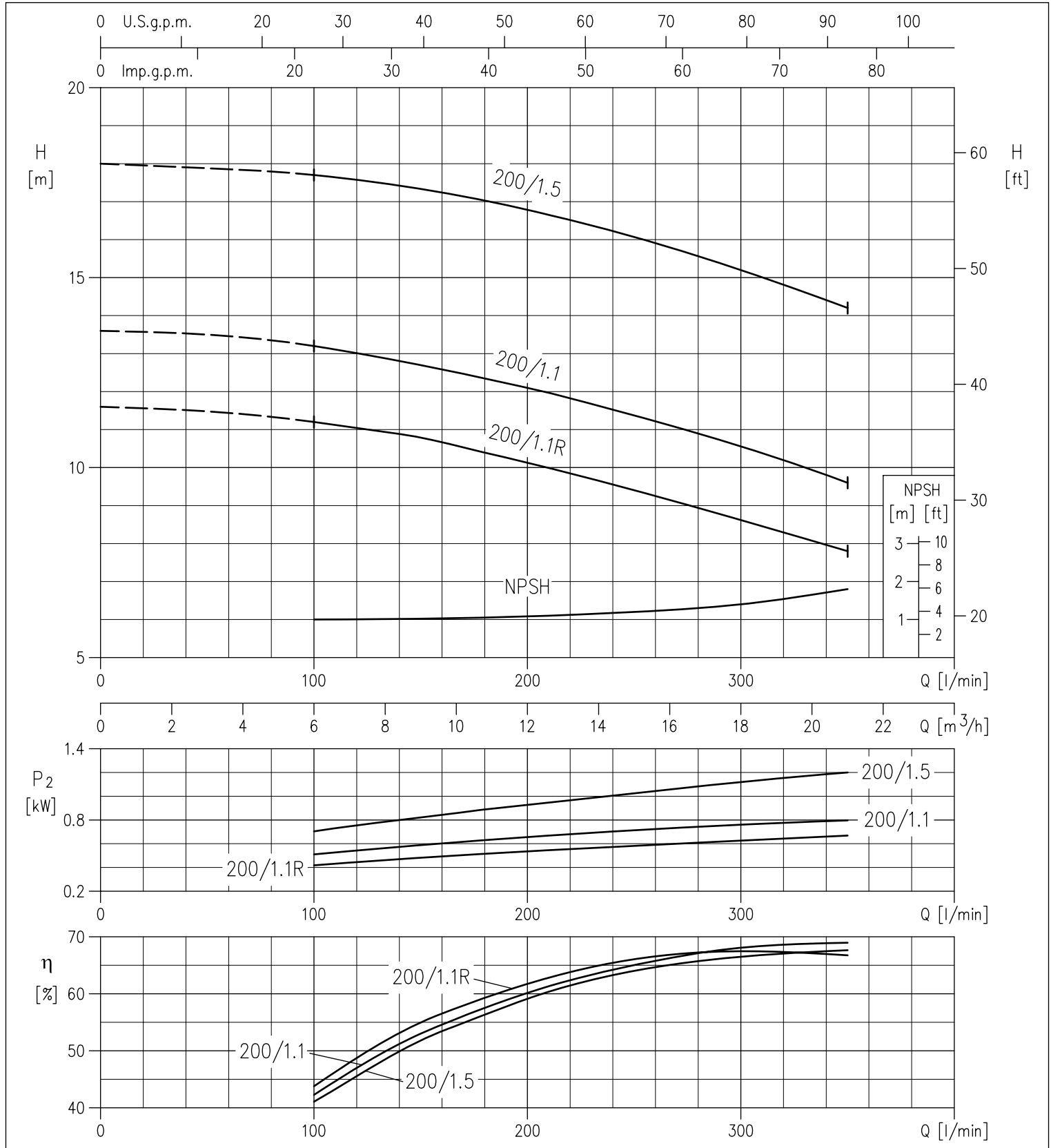


# 3D SERIES

## NORMALISED AND MONOBLOCK CENTRIFUGAL ELECTROPUMPS CONFORMING TO EN 733 (EX DIN 24255)

PERFORMANCE CURVES 3D(,)4 40-200 SERIES at 1400 min<sup>-1</sup> (according to ISO 9906 Attachment A)

4 Poles



The content of this publication should not be considered mandatory. EBARA Pumps Europe S.p.A. reserves the right to change the content without prior notice.

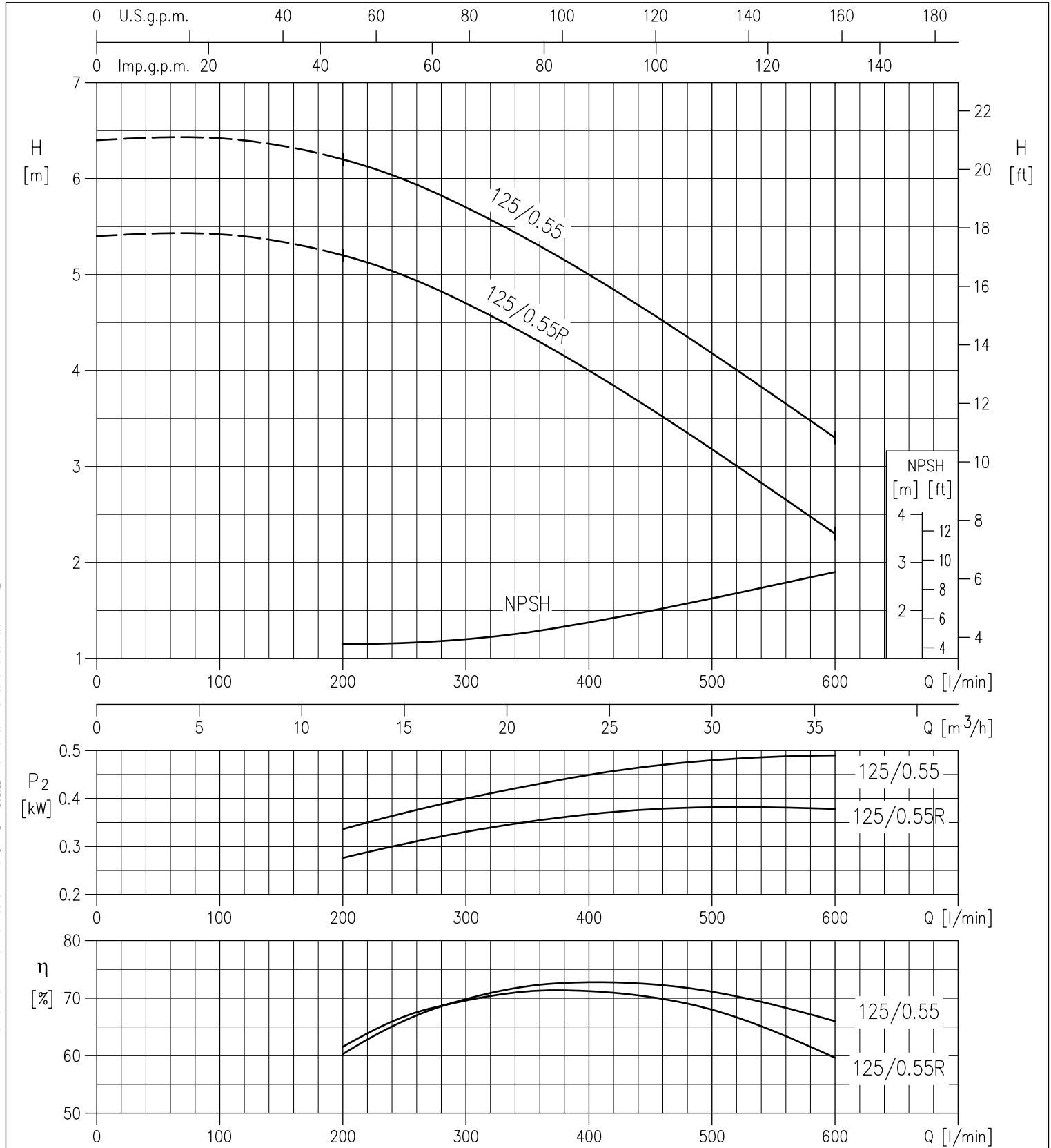


# 3D SERIES

## NORMALISED AND MONOBLOCK CENTRIFUGAL ELECTROPUMPS CONFORMING TO EN 733 (EX DIN 24255)

PERFORMANCE CURVES 3D(,)4 50-125 SERIES at 1400 min<sup>-1</sup> (according to ISO 9906 Attachment A)

4 Poles



The content of this publication should not be considered mandatory. EBARA Pumps Europe S.p.A. reserves the right to change the content without prior notice.

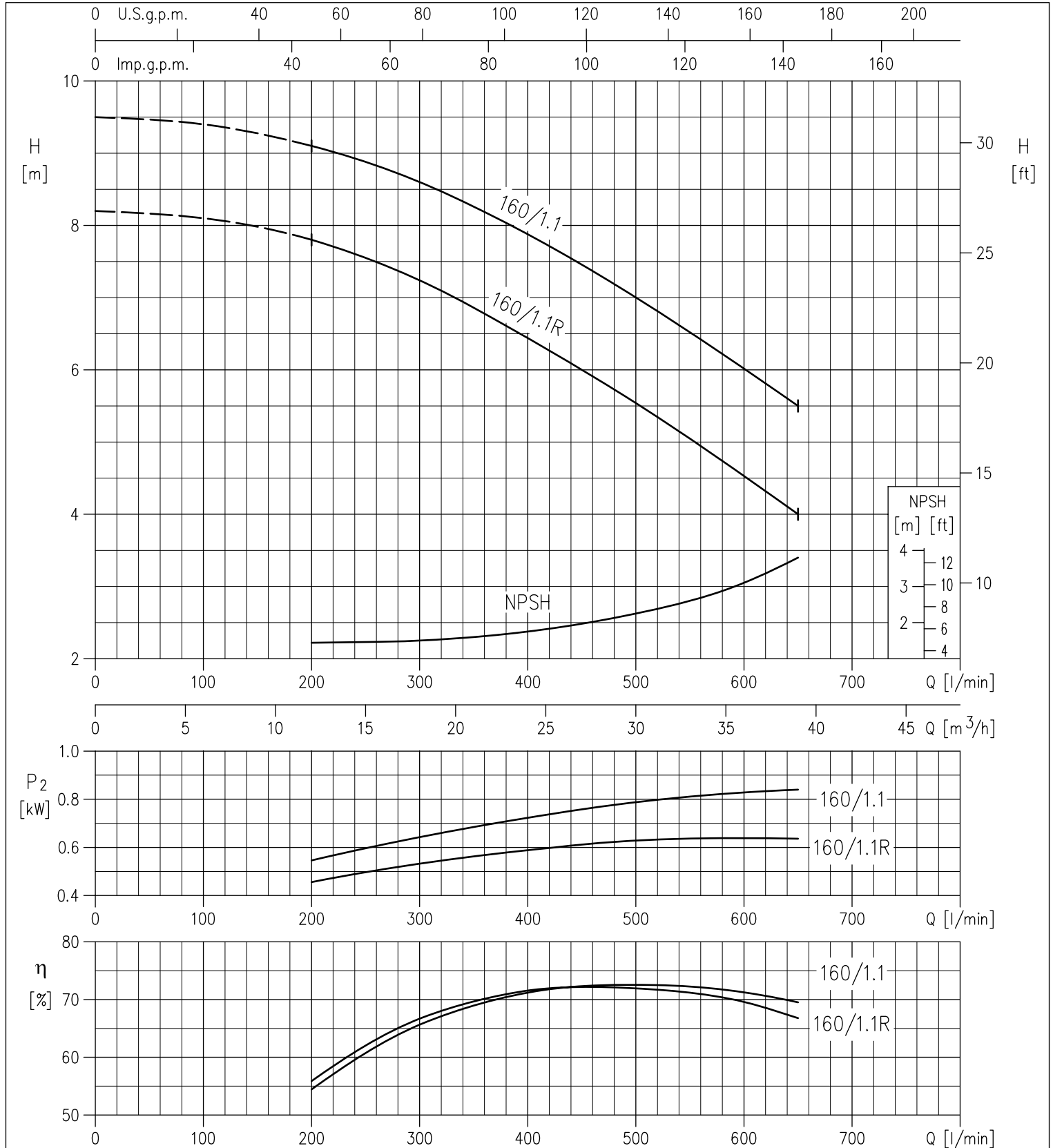


# 3D SERIES

## NORMALISED AND MONOBLOCK CENTRIFUGAL ELECTROPUMPS CONFORMING TO EN 733 (EX DIN 24255)

PERFORMANCE CURVES 3D(,)4 50-160 SERIES at 1400 min<sup>-1</sup> (according to ISO 9906 Attachment A)

4 Poles



The content of this publication should not be considered mandatory. EBARA Pumps Europe S.p.A. reserves the right to change the content without prior notice.

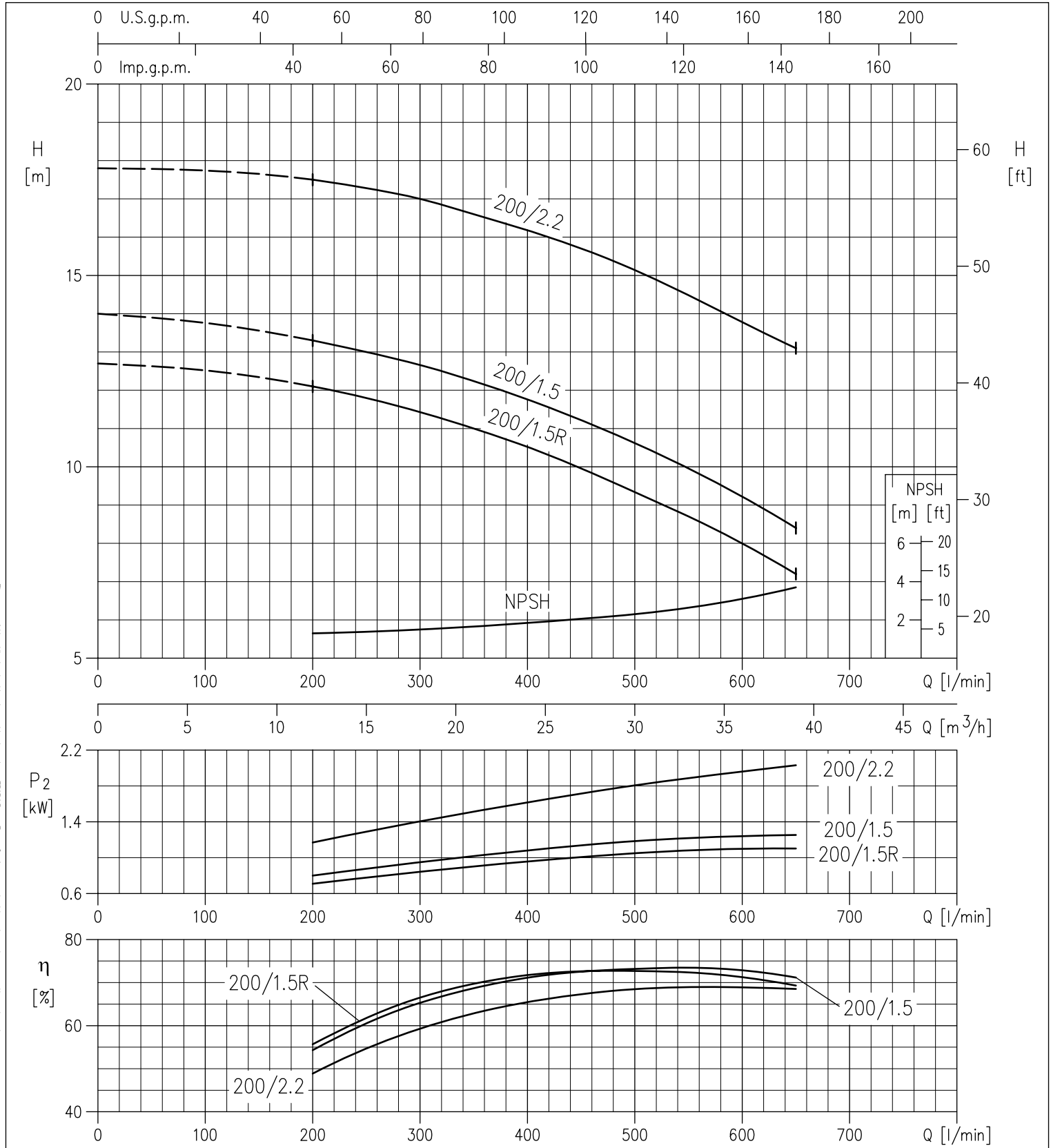


# 3D SERIES

## NORMALISED AND MONOBLOCK CENTRIFUGAL ELECTROPUMPS CONFORMING TO EN 733 (EX DIN 24255)

PERFORMANCE CURVES 3D(,)4 50-200 SERIES at 1400 min<sup>-1</sup> (according to ISO 9906 Attachment A)

4 Poles



The content of this publication should not be considered mandatory. EBARA Pumps Europe S.p.A. reserves the right to change the content without prior notice.

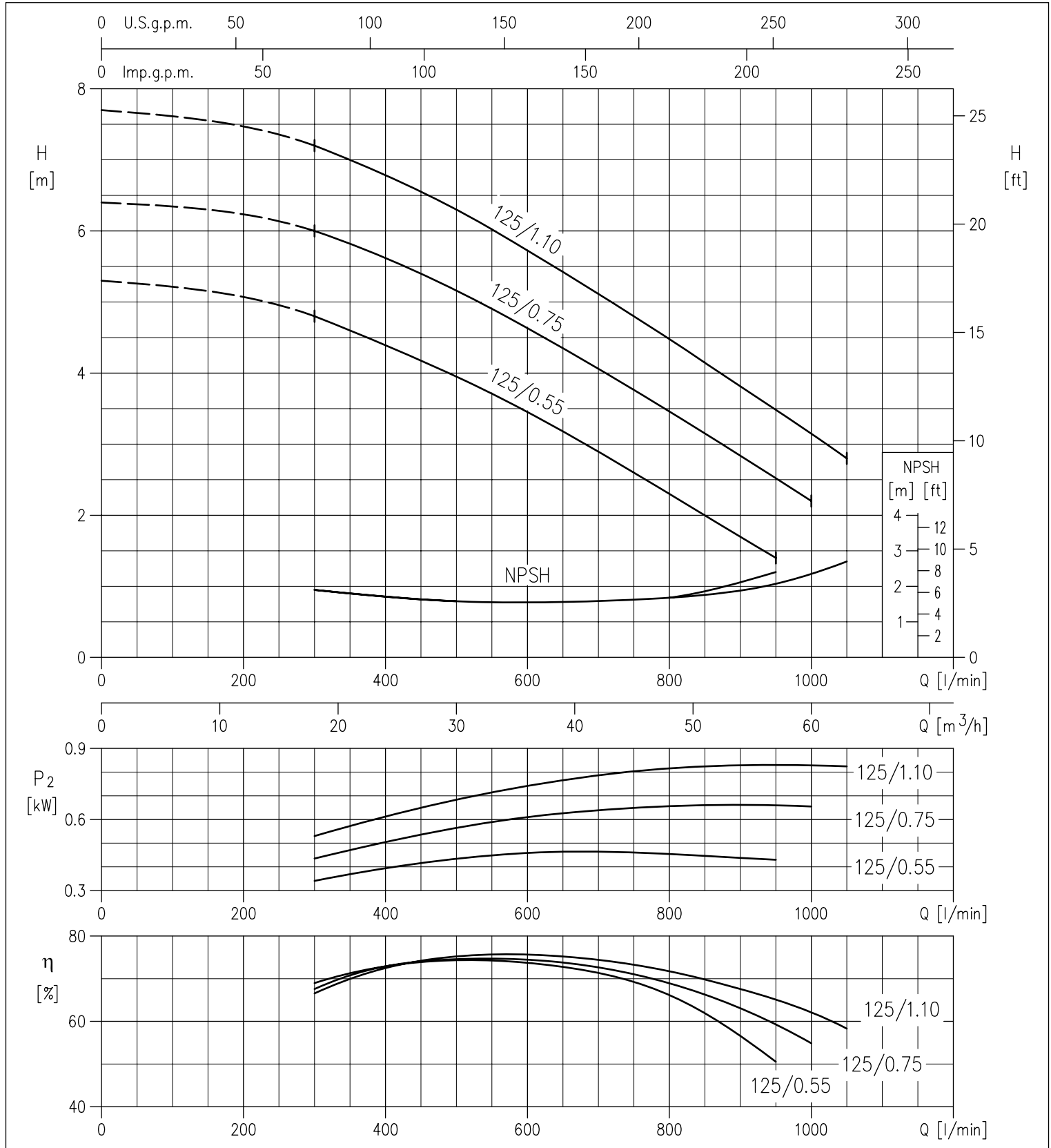


# 3D SERIES

## NORMALISED AND MONOBLOCK CENTRIFUGAL ELECTROPUMPS CONFORMING TO EN 733 (EX DIN 24255)

PERFORMANCE CURVES 3D(,)4 65-125 SERIES at 1400 min<sup>-1</sup> (according to ISO 9906 Attachment A)

4 Poles



The content of this publication should not be considered mandatory. EBARA Pumps Europe S.p.A. reserves the right to change the content without prior notice.

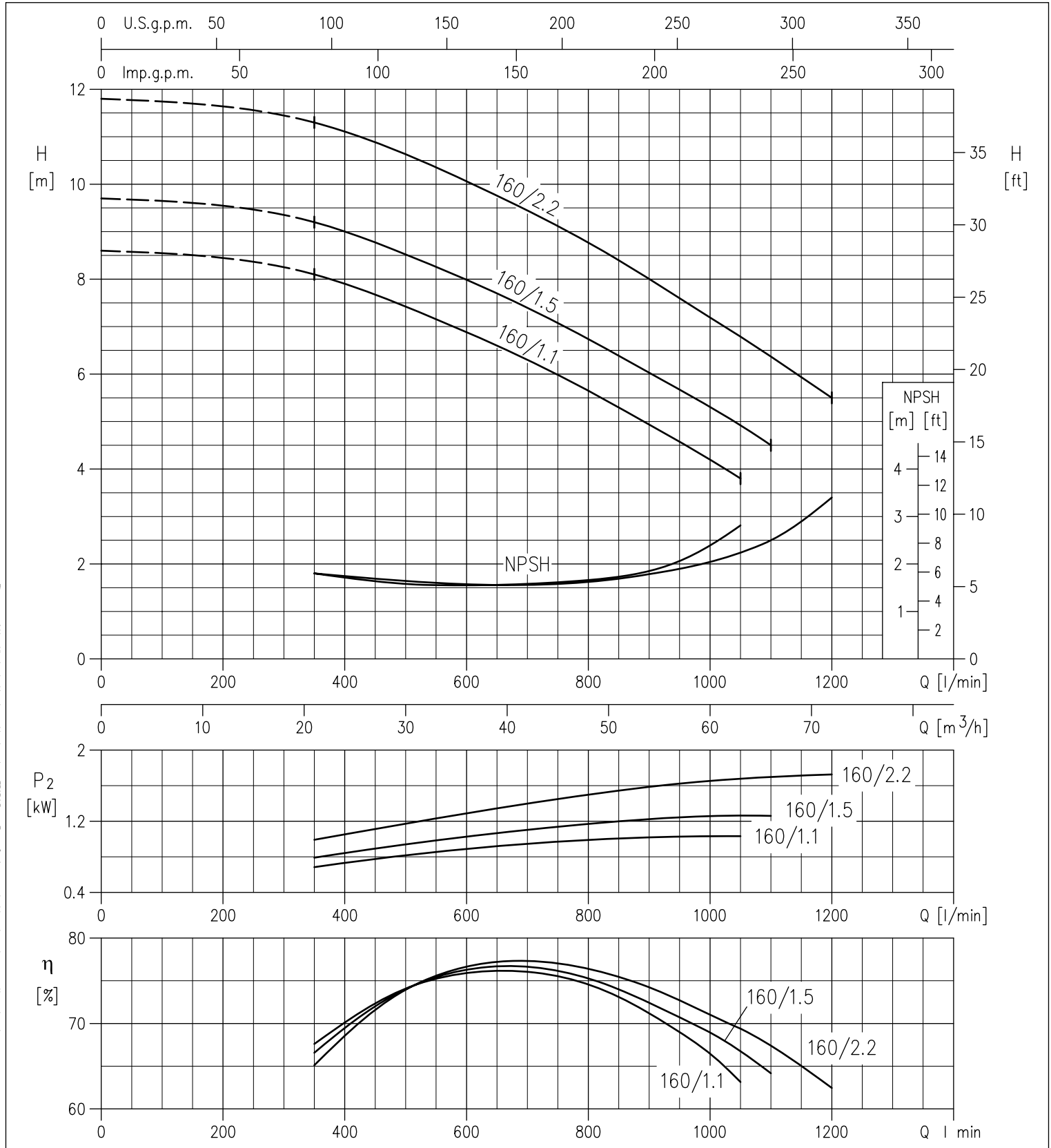


# 3D SERIES

## NORMALISED AND MONOBLOCK CENTRIFUGAL ELECTROPUMPS CONFORMING TO EN 733 (EX DIN 24255)

PERFORMANCE CURVES 3D(,)4 65-160 SERIES at 1400 min<sup>-1</sup> (according to ISO 9906 Attachment A)

4 Poles



The content of this publication should not be considered mandatory. EBARA Pumps Europe S.p.A. reserves the right to change the content without prior notice.



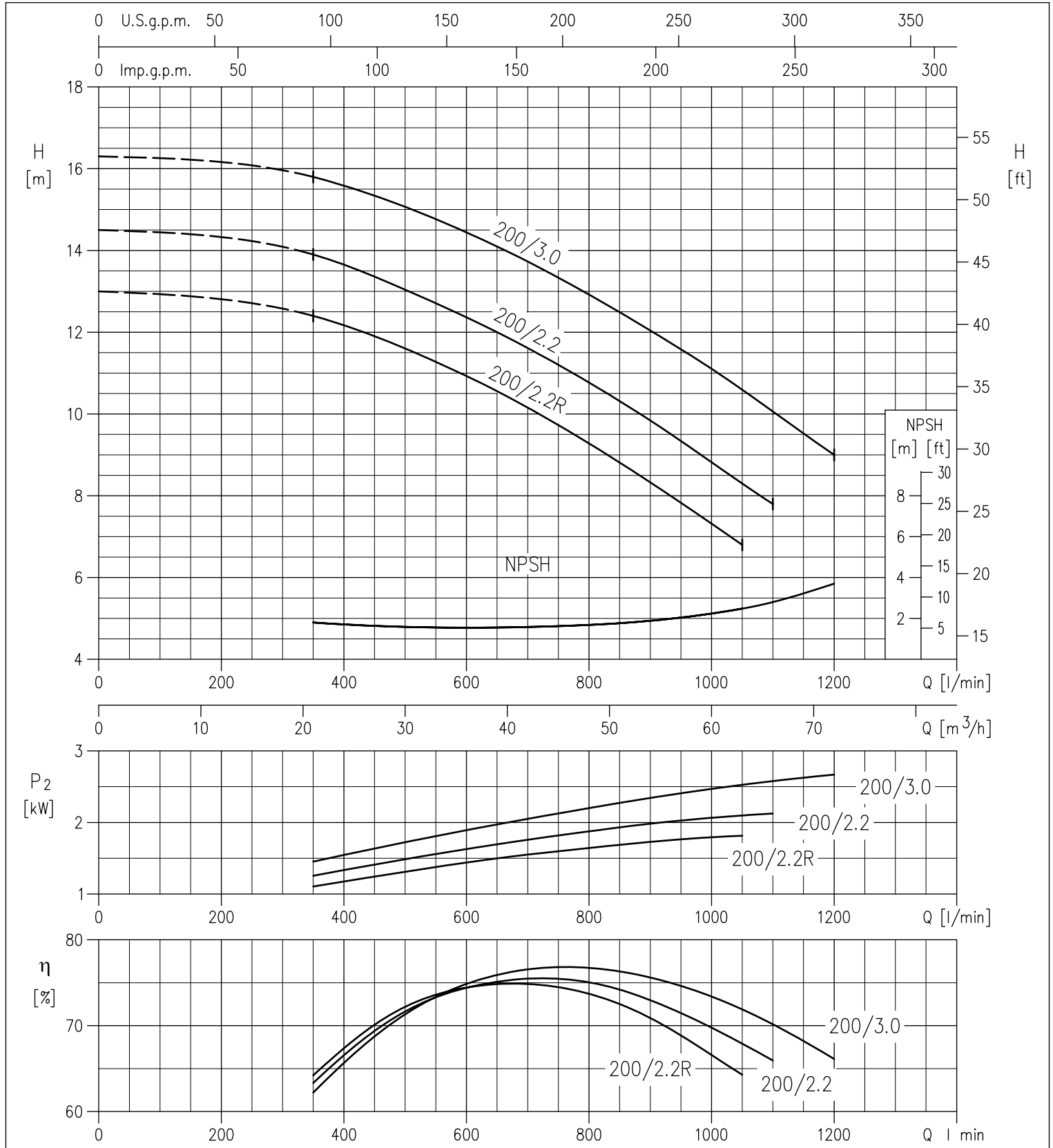


# 3D SERIES

## NORMALISED AND MONOBLOCK CENTRIFUGAL ELECTROPUMPS CONFORMING TO EN 733 (EX DIN 24255)

PERFORMANCE CURVES 3D(,)4 65-200 SERIES at 1400 min<sup>-1</sup> (according to ISO 9906 Attachment A)

4 Poles



The content of this publication should not be considered mandatory. EBARA Pumps Europe S.p.A. reserves the right to change the content without prior notice.

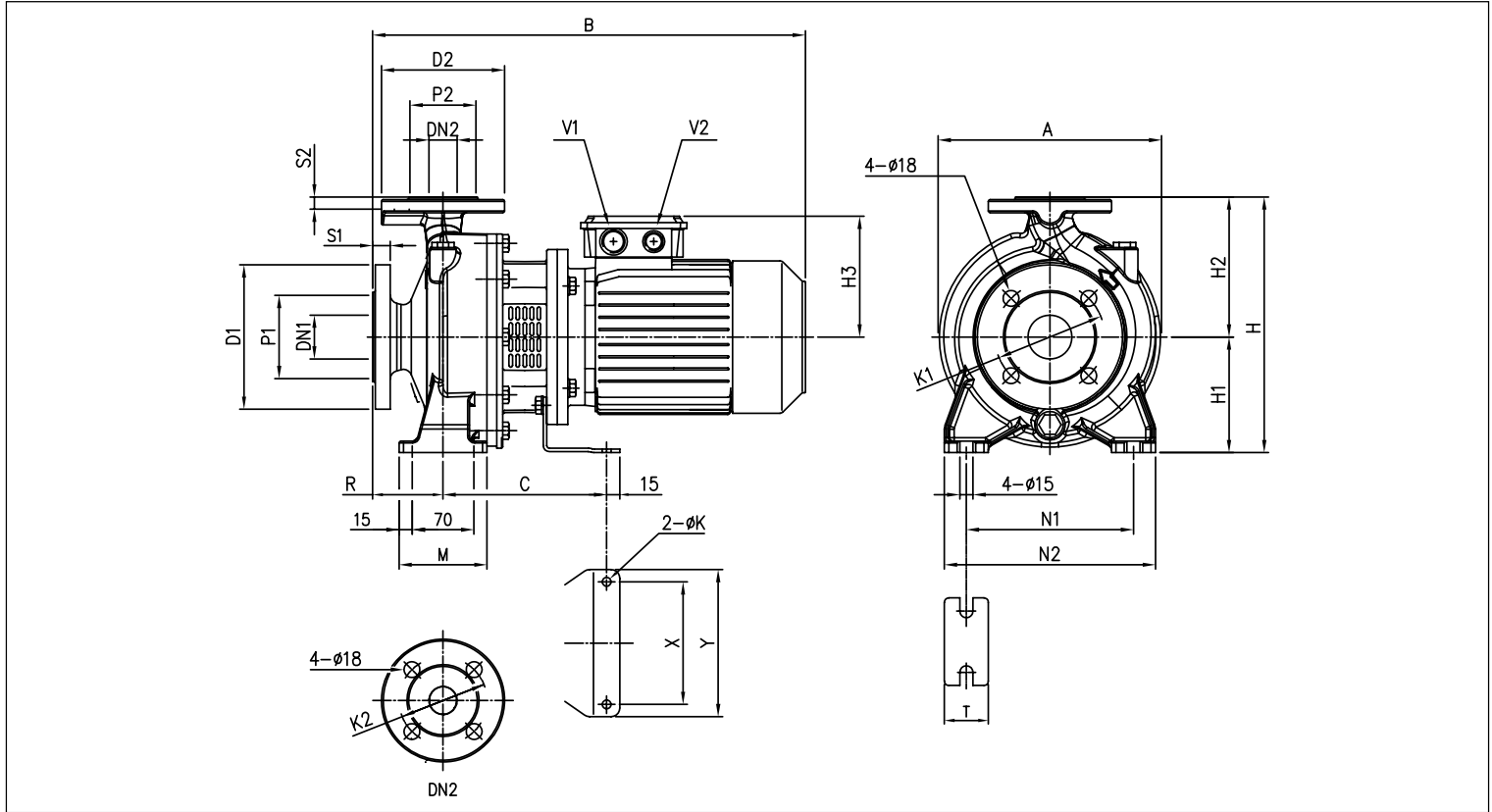


# 3D SERIES

## NORMALISED AND MONOBLOCK CENTRIFUGAL ELECTROPUMPS CONFORMING TO EN 733 (EX DIN 24255)

3DS4 32, 40, 50, 65 SERIES

4 Poles



**DIMENSIONAL TABLE**

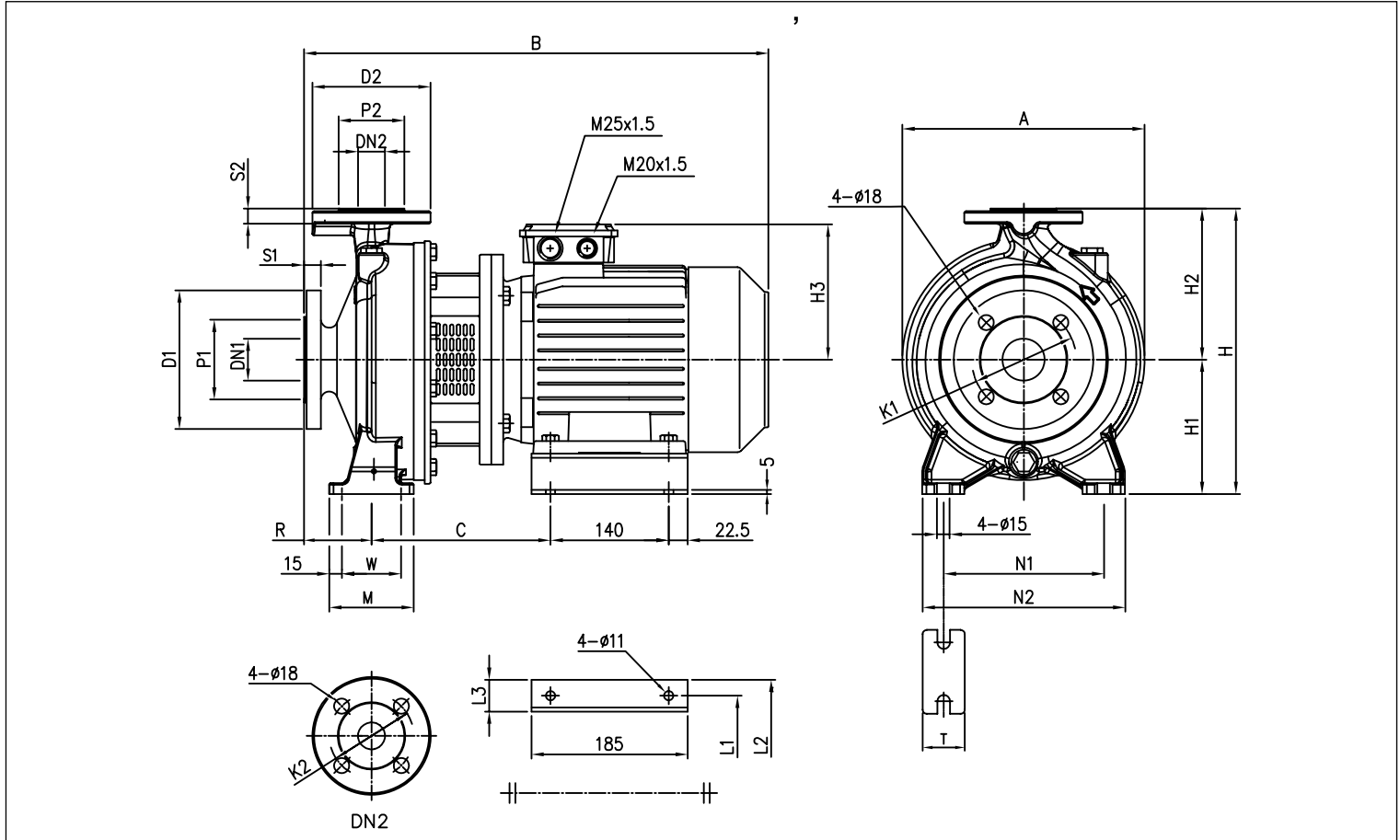
Modello	Dimensioni [mm]																				V2	V2	Peso [kg]						
	DN1 Ø	P1	K1	D1	S1	DN2 Ø	P2 Ø	K2 Ø	D2 Ø	S2	H	H1	H2	H3	R	W	M	N1	N2	T				A	B	C	X	Y	K
3DS4 32-125/0.25	50	102	125	165	20	32	78	100	140	18	252	112	140	114	80	70	100	140	190	50	213	404	153	112	140	8	M20x1.5	M16x1.5	24.3
3DS4 32-160/0.37R	50	102	125	165	20	32	78	100	140	18	292	132	160	114	80	70	100	190	240	50	254	404	153	112	140	8	M20x1.5	M16x1.5	29.9
3DS4 32-160/0.37	50	102	125	165	20	32	78	100	140	18	292	132	160	114	80	70	100	190	240	50	254	404	153	112	140	8	M20x1.5	M16x1.5	30.1
3DS4 32-200/0.55R	50	102	125	165	20	32	78	100	140	18	340	160	180	139	80	70	100	190	240	50	296	430	174	140	168	10	M25x1.5	M20x1.5	39.4
3DS4 32-200/0.55	50	102	125	165	20	32	78	100	140	18	340	160	180	139	80	70	100	190	240	50	296	430	174	140	168	10	M25x1.5	M20x1.5	44.4
3DS4 32-200/0.75	50	102	125	165	20	32	78	100	140	18	340	160	180	139	80	70	100	190	240	50	296	430	174	140	168	10	M25x1.5	M20x1.5	40.9
3DS4 40-125/0.37R	65	122	145	185	20	40	88	110	150	18	252	112	140	114	80	70	100	160	210	50	220	404	153	112	140	8	M20x1.5	M16x1.5	25.3
3DS4 40-125/0.37	65	122	145	185	20	40	88	110	150	18	252	112	140	114	80	70	100	160	210	50	220	404	153	112	140	8	M20x1.5	M16x1.5	25.3
3DS4 40-160/0.55R	65	122	145	185	20	40	88	110	150	18	292	132	160	139	80	70	100	190	240	50	254	430	174	140	168	10	M25x1.5	M20x1.5	35.6
3DS4 40-160/0.55	65	122	145	185	20	40	88	110	150	18	292	132	160	139	80	70	100	190	240	50	254	430	174	140	168	10	M25x1.5	M20x1.5	35.6
3DS4 40-200/1.1R	65	122	145	185	20	40	88	110	150	18	340	160	180	148	100	70	100	212	265	50	296	497	186	140	168	10	M25x1.5	M20x1.5	49.2
3DS4 40-200/1.1	65	122	145	185	20	40	88	110	150	18	340	160	180	148	100	70	100	212	265	50	296	497	186	140	168	10	M25x1.5	M20x1.5	49.2
3DS4 40-200/1.5	65	122	145	185	20	40	88	110	150	18	340	160	180	148	100	70	100	212	265	50	296	497	186	140	168	10	M25x1.5	M20x1.5	50.8
3DS4 50-125/0.55R	65	122	145	185	20	50	102	125	165	20	292	132	160	139	100	70	100	190	240	50	254	450	174	140	168	10	M25x1.5	M20x1.5	36
3DS4 50-125/0.55	65	122	145	185	20	50	102	125	165	20	292	132	160	139	100	70	100	190	240	50	254	450	174	140	168	10	M25x1.5	M20x1.5	36
3DS4 50-160/1.1R	65	122	145	185	20	50	102	125	165	20	340	160	180	148	100	70	100	212	265	50	296	497	186	140	168	10	M25x1.5	M20x1.5	49.8
3DS4 50-160/1.1	65	122	145	185	20	50	102	125	165	20	340	160	180	148	100	70	100	212	265	50	296	497	186	140	168	10	M25x1.5	M20x1.5	49.8
3DS4 50-200/1.5R	65	122	145	185	20	50	102	125	165	20	360	160	200	148	100	70	100	212	265	50	296	497	186	140	168	10	M25x1.5	M20x1.5	52.6
3DS4 50-200/1.5	65	122	145	185	20	50	102	125	165	20	360	160	200	148	100	70	100	212	265	50	296	497	186	140	168	10	M25x1.5	M20x1.5	52.6
3DS4 65-125/0.55	80	138	160	200	22	65	122	145	185	20	340	160	180	139	100	95	125	212	280	65	263	450	174	140	168	10	M25x1.5	M20x1.5	36.8
3DS4 65-125/0.75	80	138	160	200	22	65	122	145	185	20	340	160	180	139	100	95	125	212	280	65	263	450	174	140	168	10	M25x1.5	M20x1.5	45.3
3DS4 65-125/1.1	80	138	160	200	22	65	122	145	185	20	340	160	180	148	100	95	125	212	280	65	263	497	186	140	168	10	M25x1.5	M20x1.5	47.5
3DS4 65-160/1.1	80	138	160	200	22	65	122	145	185	20	360	160	200	148	100	95	125	212	280	65	296	497	186	140	168	10	M25x1.5	M20x1.5	49.3
3DS4 65-160/1.5	80	138	160	200	22	65	122	145	185	20	360	160	200	148	100	95	125	212	280	65	296	497	186	140	168	10	M25x1.5	M20x1.5	61.7

# 3D SERIES

NORMALISED AND MONOBLOCK CENTRIFUGAL ELECTROPUMPS  
CONFORMING TO EN 733 (EX DIN 24255)

3DS4 50, 60 SERIES

4 Poles



## DIMENSIONAL TABLE

Modello	Dimensioni [mm]																				Peso [kg]
	DN1 Ø	P1 Ø	K1 Ø	D1 Ø	S1	DN2 Ø	P2 Ø	K2 Ø	D2 Ø	S2	H	H1	H2	R	W	M	A	N1	N2	T	
3DS4 50-200/2.20	65	122	145	185	20	50	102	125	165	20	360	160	200	100	70	100	296	212	265	50	56.3
3DS4 65-160/2.20	80	138	160	200	22	65	122	145	185	20	360	160	200	100	95	125	296	212	280	65	62.5
3DS4 65-200/2.20R	80	138	160	200	22	65	122	145	185	20	405	180	225	100	95	125	312	250	320	65	59.4
3DS4 65-200/2.20	80	138	160	200	22	65	122	145	185	20	405	180	225	100	95	125	312	250	320	65	59.9
3DS4 65-200/3.00	80	138	160	200	22	65	122	145	185	20	405	180	225	100	95	125	312	250	320	65	65

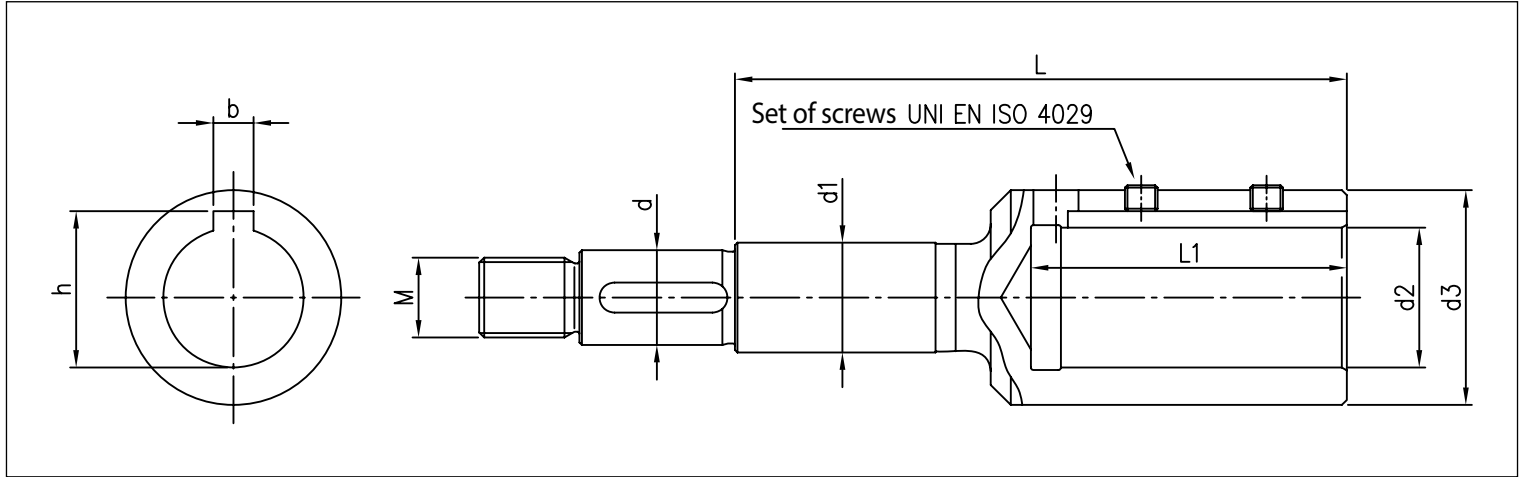


# 3D SERIES

## NORMALISED AND MONOBLOCK CENTRIFUGAL ELECTROPUMPS CONFORMING TO EN 733 (EX DIN 24255)

### Joint for 3DS4 SERIES

4 Poles



### DIMENSIONAL TABLE

Model	[HP]	[kW]	Grand. Motor	Dimensions [mm]										Screws set
				d	d1	d2	d3	M	L	L1	b	h		
3DS4 32-125/0.25	0.33	0.25	71	19	22	14	28	M16x1.5	88	33	5	16.3	M5x6	
3DS4 32-160/0.37R	0.5	0.37	71	19	22	14	28	M16x1.5	88	33	5	16.3	M5x6	
3DS4 32-160/0.37	0.5	0.37	71	19	22	14	28	M16x1.5	88	33	5	16.3	M5x6	
3DS4 32-200/0.55R	0.75	0.55	80	19	22	19	33	M16x1.5	98	43	6	21.8	M6x6	
3DS4 32-200/0.55	0.75	0.55	80	19	22	19	33	M16x1.5	98	43	6	21.8	M6x6	
3DS4 32-200/0.75	1	0.75	80	19	22	19	33	M16x1.5	98	43	6	21.8	M6x6	
3DS4 40-125/0.37R	0.5	0.37	71	19	22	14	28	M16x1.5	88	33	5	16.3	M5x6	
3DS4 40-125/0.37	0.5	0.37	71	19	22	14	28	M16x1.5	88	33	5	16.3	M5x6	
3DS4 40-160/0.55R	0.75	0.55	80	19	22	19	33	M16x1.5	98	43	6	21.8	M6x6	
3DS4 40-160/0.55	0.75	0.55	80	19	22	19	33	M16x1.5	98	43	6	21.8	M6x6	
3DS4 40-200/1.1R	1.5	1.1	90	19	22	24	39	M16x1.5	110	53	8	27.3	M8x8	
3DS4 40-200/1.1	1.5	1.1	90	19	22	24	39	M16x1.5	110	53	8	27.3	M8x8	
3DS4 40-200/1.5	2	1.5	90	19	22	24	39	M16x1.5	110	53	8	27.3	M8x8	
3DS4 50-125/0.55R	0.75	0.55	80	19	22	19	33	M16x1.5	98	43	6	21.8	M6x6	
3DS4 50-125/0.55	0.75	0.55	80	19	22	19	33	M16x1.5	98	43	6	21.8	M6x6	
3DS4 50-160/1.1R	1.5	1.1	90	19	22	24	39	M16x1.5	110	53	8	27.3	M8x8	
3DS4 50-160/1.1	1.5	1.1	90	19	22	24	39	M16x1.5	110	53	8	27.3	M8x8	
3DS4 50-200/1.5R	2	1.5	90	19	22	24	39	M16x1.5	110	53	8	27.3	M8x8	
3DS4 50-200/1.5	2	1.5	90	19	22	24	39	M16x1.5	110	53	8	27.3	M8x8	
3DS4 50-200/2.2	3	2.2	100	22	22	28	43	M18x1.5	153	63	8	31.3	M8x8	
3DS4 65-125/0.55	0.75	0.55	80	19	22	19	33	M16x1.5	98	43	6	21.8	M6x6	
3DS4 65-125/0.75	1	0.75	80	19	22	19	33	M16x1.5	98	43	6	21.8	M6x6	
3DS4 65-125/1.1	1.5	1.1	90	19	22	24	39	M16x1.5	110	53	8	27.3	M8x8	
3DS4 65-160/1.1	1.5	1.1	90	19	22	24	39	M16x1.5	110	53	8	27.3	M8x8	
3DS4 65-160/1.5	2	1.5	90	19	22	24	39	M16x1.5	110	53	8	27.3	M8x8	
3DS4 65-160/2.2	3	2.2	100	19	22	28	43	M16x1.5	122	63	8	31.3	M8x8	
3DS4 65-200/2.2R	3	2.2	100	19	22	28	43	M16x1.5	122	63	8	31.3	M8x8	
3DS4 65-200/2.2	3	2.2	100	19	22	28	43	M16x1.5	122	63	8	31.3	M8x8	
3DS4 65-200/3	4	3	100	19	22	28	43	M16x1.5	122	63	8	31.3	M8x8	

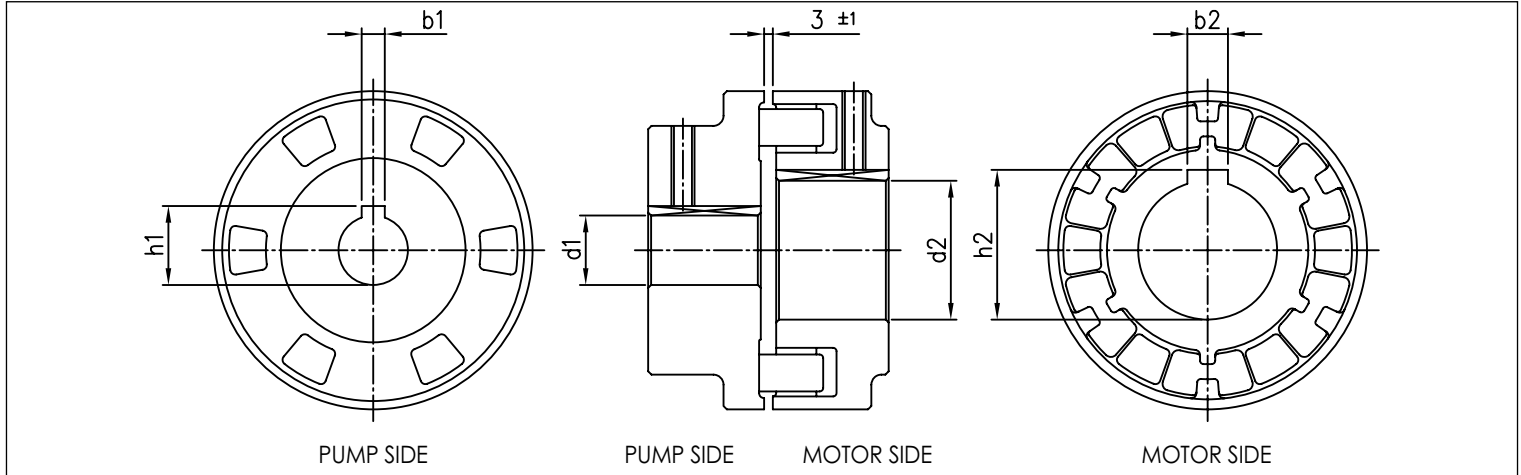
The content of this publication should not be considered mandatory. EBARA Pumps Europe S.p.A. reserves the right to change the content without prior notice.

# 3D SERIES

## NORMALISED AND MONOBLOCK CENTRIFUGAL ELECTROPUMPS CONFORMING TO EN 733 (EX DIN 24255)

Joint for 3DP4 SERIES

4 Poles



### DIMENSIONAL TABLE

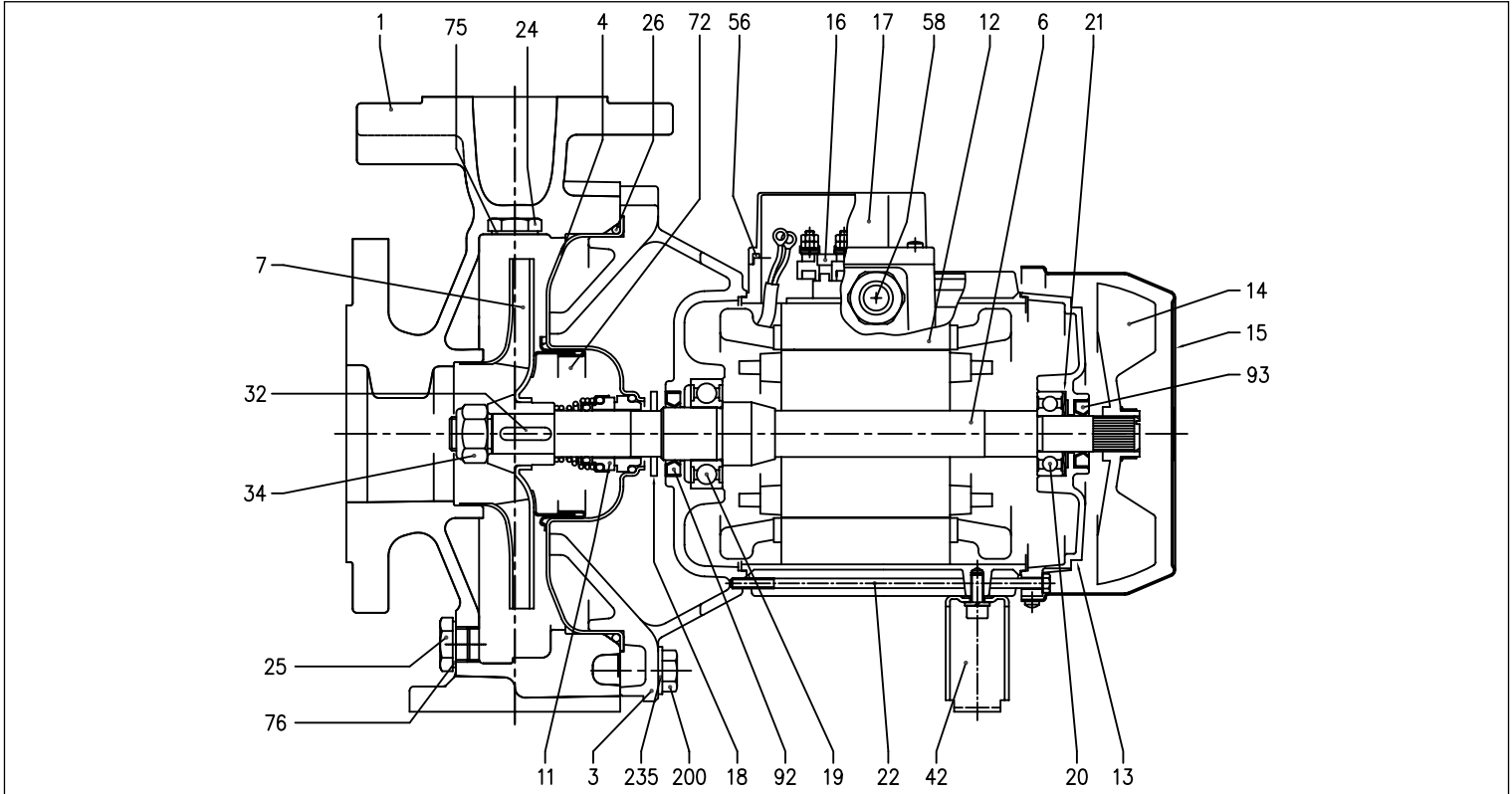
Model	[HP]	[kW]	Grand. Motor	Dimensions [mm]					
				d1	b1	h1	d2	b2	h2
3DP4 32-125/0.25	0.33	0.25	71	24	8	27.3	14	5	16.3
3DP4 32-160/0.37R	0.50	0.37	71	24	8	27.3	14	5	16.3
3DP4 32-160/0.37	0.50	0.37	71	24	8	27.3	14	5	16.3
3DP4 32-200/0.55R	0.75	0.55	80	24	8	27.3	19	6	21.8
3DP4 32-200/0.55	0.75	0.55	80	24	8	27.3	19	6	21.8
3DP4 32-200/0.75	1.00	0.75	80	24	8	27.3	19	6	21.8
3DP4 40-125/0.37R	0.50	0.37	71	24	8	27.3	14	5	16.3
3DP4 40-125/0.37	0.50	0.37	71	24	8	27.3	14	5	16.3
3DP4 40-160/0.55R	0.75	0.55	80	24	8	27.3	19	6	21.8
3DP4 40-160/0.55	0.75	0.55	80	24	8	27.3	19	6	21.8
3DP4 40-200/1.10R	1.50	1.10	90	24	8	27.3	24	8	27.3
3DP4 40-200/1.10	1.50	1.10	90	24	8	27.3	24	8	27.3
3DP4 40-200/1.50	2.00	1.50	90	24	8	27.3	24	8	27.3
3DP4 50-125/0.55R	0.75	0.55	80	24	8	27.3	19	6	21.8
3DP4 50-125/0.55	0.75	0.55	80	24	8	27.3	19	6	21.8
3DP4 50-160/1.10R	1.50	1.10	90	24	8	27.3	24	8	27.3
3DP4 50-160/1.10	1.50	1.10	90	24	8	27.3	24	8	27.3
3DP4 50-200/1.50R	2.00	1.50	90	24	8	27.3	24	8	27.3
3DP4 50-200/1.50	2.00	1.50	90	24	8	27.3	24	8	27.3
3DP4 50-200/2.20	3.00	2.20	100	24	8	27.3	28	8	31.3
3DP4 65-125/0.55	0.75	0.55	80	24	8	27.3	19	6	21.8
3DP4 65-125/0.75	1.00	0.75	80	24	8	27.3	19	6	21.8
3DP4 65-125/1.10	1.50	1.10	90	24	8	27.3	24	8	27.3
3DP4 65-160/1.10	1.50	1.10	90	24	8	27.3	24	8	27.3
3DP4 65-160/1.50	2.00	1.50	90	24	8	27.3	24	8	27.3
3DP4 65-160/2.20	3.00	2.20	100	24	8	27.3	28	8	31.3
3DP4 65-200/2.20R	3.00	2.20	100	24	8	27.3	28	8	31.3
3DP4 65-200/2.20	3.00	2.20	100	24	8	27.3	28	8	31.3
3DP4 65-200/3.00	4.00	3.00	100	24	8	27.3	28	8	31.3

# 3D SERIES

## NORMALISED AND MONOBLOCK CENTRIFUGAL ELECTROPUMPS CONFORMING TO EN 733 (EX DIN 24255)

### SECTIONAL VIEW 3D4 SERIES

4 Poles



### MATERIALS TABLE

Ref.	Name	Materials	Ref.	Name	Materials
001	Pump casing	Cast iron EN-GJL-250-EN 1561[1]	022	Tie-rod	Galvanised Fe 42
003	Motor bracket	[1]	024	Plug	Brass
004	Casing cover	EN 1.4301 (AISI 304)	025	Plug	Brass
006	Shaft (part in contact with the liquid)	EN 1.4301 (AISI 304)	026	O-Ring	NBR [3]
007	Impeller	[2]	032	Key	EN 1.4401 (AISI 316)
011	Mechanical seal	Ceramic/Carbon/NBR	034	Impeller nut	EN 1.4301 (AISI 304)
012	Motor frame	-	042	Motor support	Aluminium / Galvanised steel
013	Motor cover	Aluminium	056	Terminal box gasket	NBR
014	Fan	PA	058	Cable gland	-
015	Fan cover	Galvanised Fe P04	072	Casing ring [4]	EN 1.4301 (AISI 304)
016	Terminal Box	-	075	Washer	Aluminium
017	Terminal Box cover	Aluminium (for three phase version only)	076	Washer	Aluminium
018	Splash washer	NBR	092	Seal ring	-
019	Bearing (pump side)	-	093	Seal ring	-
020	Bearing (motor side)	-	200	Screw	Galvanised steel 8.8 class ISO 898-1
021	Adjustment ring	Steel C70	235	Washer	Galvanised steel

[1]= Aluminium AL-EN-1706-AC-46000-D for 3D4 SERIES models 50-200/2.2, 65-125/0.75 and 1.1, 65-160/2.2, 65-200/2.2 and 3 kW; cast iron EN-GJL-200-EN 1561 for the other models

[2]= EN 1.4301 (AISI 304) for SERIES 3D4 32, 40, 50; EN 1.4401 (AISI 316) for SERIES 3D4 65

[3]= FKM for H, HS, HW, HSW versions; EPDM for E version

[4]= Only for SERIES 3D4 32-200, 40-200, 50-160, 50-200

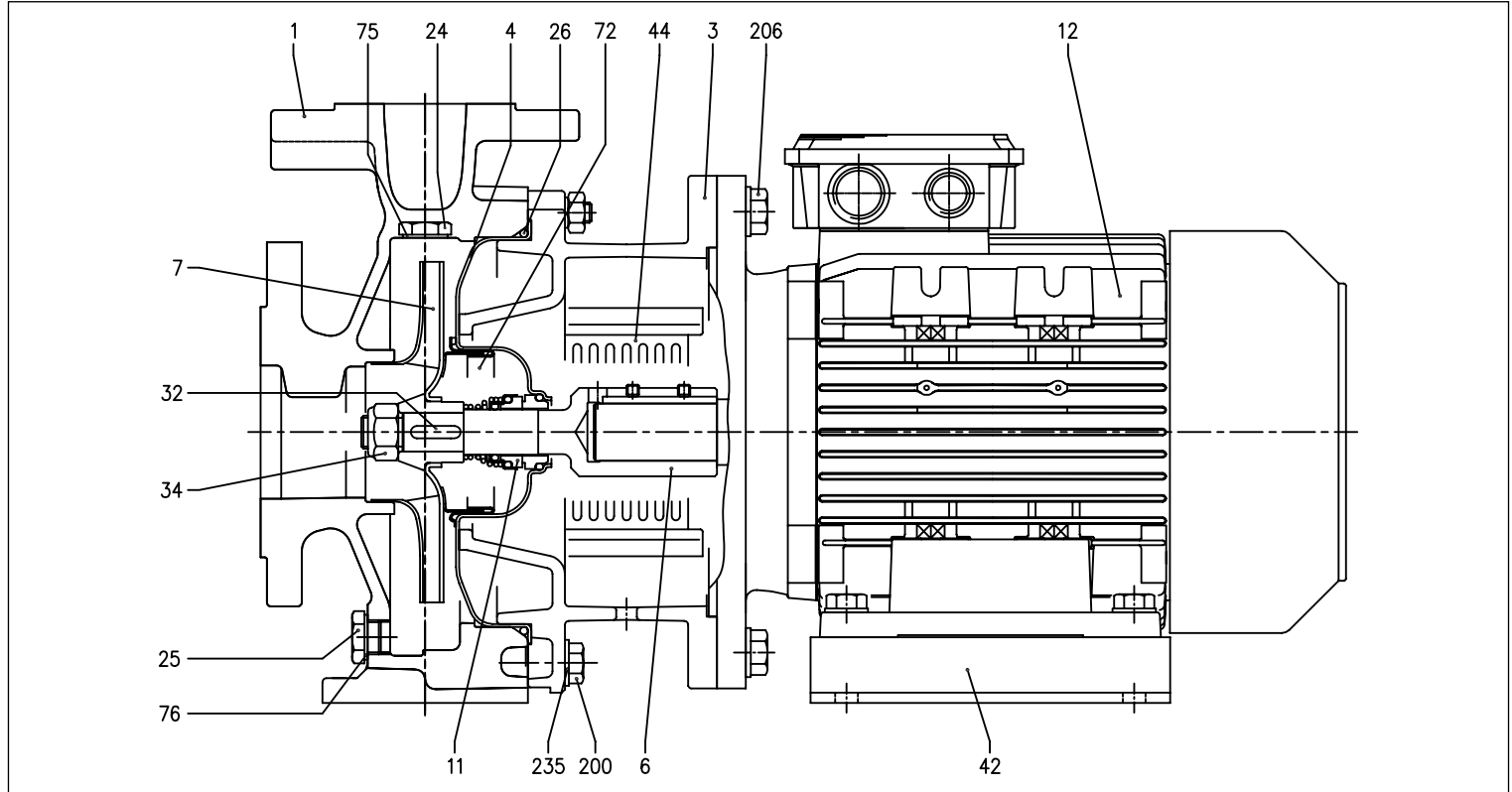


# 3D SERIES

## NORMALISED AND MONOBLOCK CENTRIFUGAL ELECTROPUMPS CONFORMING TO EN 733 (EX DIN 24255)

### SECTIONAL VIEW 3DS4 SERIES

4 Poles



### MATERIALS TABLE

Ref.	Name	Materials
001	Pump casing	Cast iron EN-GJL-250-EN 1561
003	Motor bracket	Cast iron EN-GJL-250-EN 1561
004	Casing cover	EN 1.4301 (AISI 304)
006	Joint (part in contact with the liquid)	EN 1.4301 (AISI 304)
007	Impeller	[1]
011	Mechanical seal	Ceramic/Carbon/NBR
012	Motor	-
024	Plug	Brass
025	Plug	Brass
026	O-Ring	NBR [2]
032	Key	EN 1.4401 (AISI 316)
034	Impeller nut	EN 1.4301 (AISI 304)
042	Motor support	Galvanised steel
044	Support protection	EN 1.4301 (AISI 304)
072	Casing ring [3]	EN 1.4301 (AISI 304)
075	Washer	Aluminium
076	Washer	Aluminium
200	Screw	Galvanised steel 8.8 class ISO 898-1
206	Screw (support)	Galvanised steel 8.8 class ISO 898-1
235	Washer	Galvanised steel

[1]= EN 1.4301 (AISI 304) for 3DS4 SERIES models 32, 40, 50; EN 1.4401 (AISI 316) for SERIES 3DS4 65

[2]= FKM for H, HS, HW, HSW versions; EPDM for E version

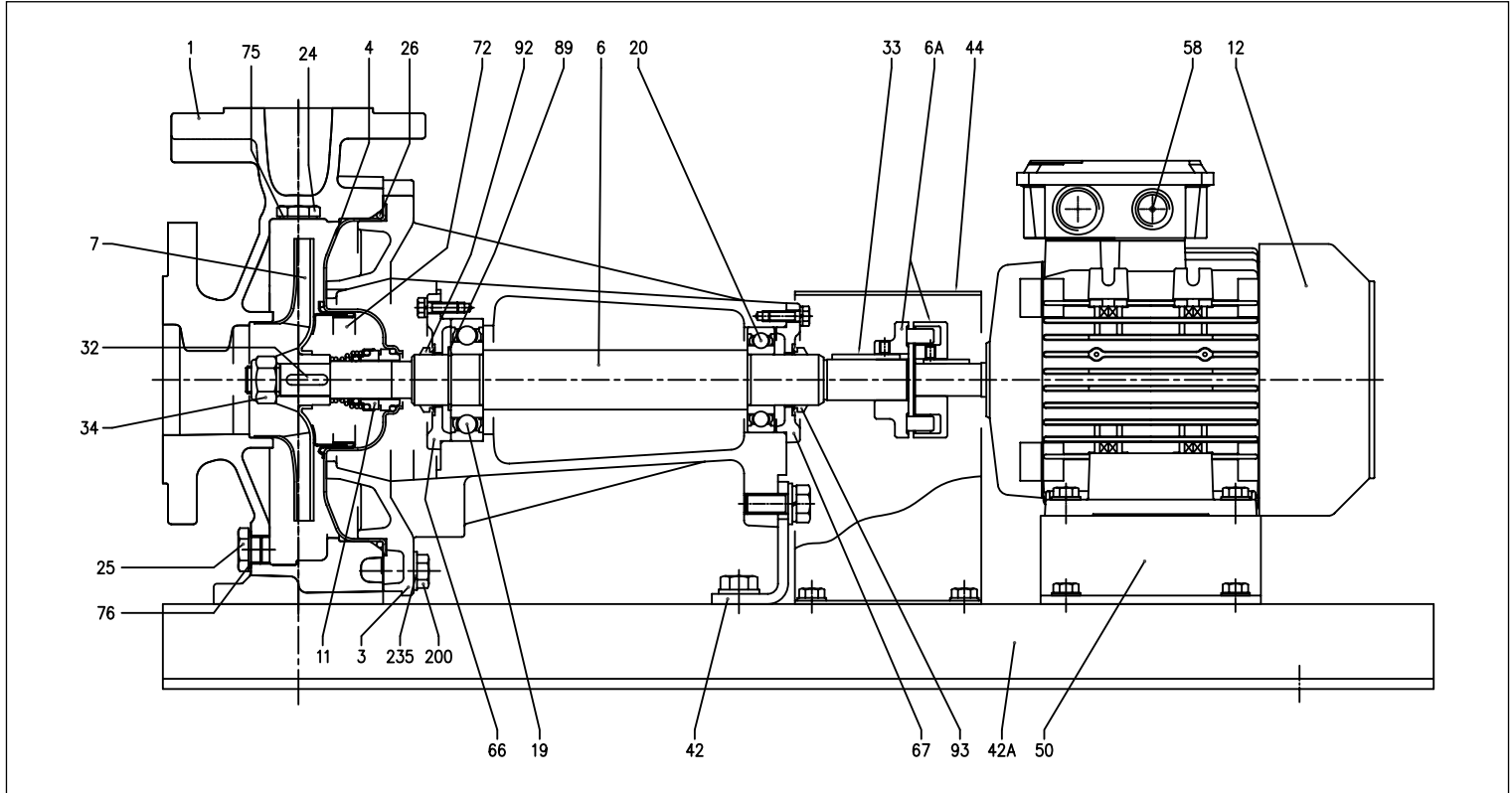
[3]= Only for SERIES 3DS4 32-200, 40-200, 50-160, 50-200

# 3D SERIES

## NORMALISED AND MONOBLOCK CENTRIFUGAL ELECTROPUMPS CONFORMING TO EN 733 (EX DIN 24255)

### SECTIONAL VIEW 3DP4 SERIES

4 Poles



### MATERIALS TABLE

Ref.	Name	Materials	Ref.	Name	Materials
001	Pump casing	Cast iron EN-GJL-250-EN 1561	042	Pump support	Galvanised Fe 37
003	Motor Bracket	Cast iron EN-GJL-250-EN 1561	042A	Base	Galvanised Fe 37
004	Casing cover	EN 1.4301 (AISI 304)	044	Protection	Galvanised Fe 37
006	Shaft	EN 1.4301 (AISI 304)	050	Motor support	Aluminium / Galvanised steel
006A	Flexible joint	Cast iron EN-GJL-250-EN 1561	058	Cable gland	-
007	Impeller	[1]	066	Bracket cover	Cast iron EN-GJL-250-EN 1561
011	Mechanical seal	Ceramic/Carbon/NBR	067	Bracket cover	Cast iron EN-GJL-250-EN 1561
012	Motor frame	-	072	Casing ring [3]	EN 1.4301 (AISI 304)
019	Bearing	-	075	Washer	Aluminium
020	Bearing	-	076	Washer	Aluminium
024	Plug	Brass	089	Seeger ring	Carbon steel TC 80
025	Plug	Brass	092	Seal ring	-
026	O-Ring	NBR [2]	093	Seal ring	-
032	Key	EN 1.4401 (AISI 316)	200	Screw	Galvanised steel 8.8 class ISO 898-1
033	Key	C40	235	Washer	Galvanised steel
034	Impeller nut	EN 1.4301 (AISI 304)			

[1]= EN 1.4301 (AISI 304) for 3DP4 SERIES models 32, 40, 50; EN 1.4401 (AISI 316) for SERIES 3DP4 65

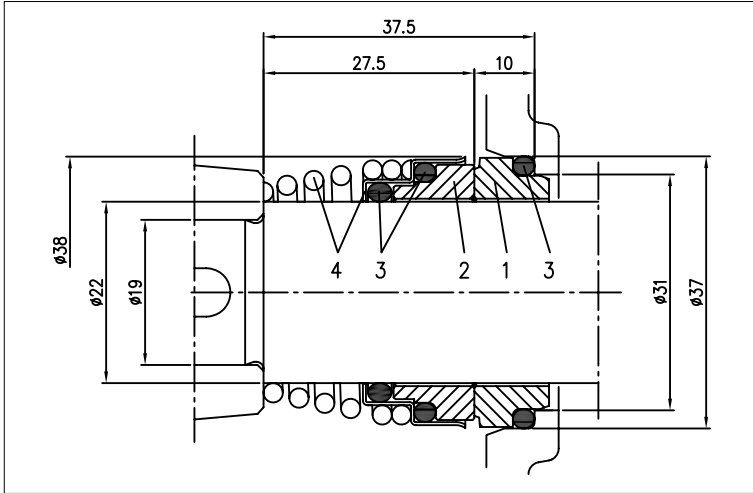
[2]= FKM for H, HS, HW, HSW versions; EPDM for E version

[3]= Only for SERIES 3DP4 32-200, 40-200, 50-160, 50-200

# 3D SERIES

## NORMALISED AND MONOBLOCK CENTRIFUGAL ELECTROPUMPS CONFORMING TO EN 733 (EX DIN 24255)

### MECHANICAL SEAL standard version



### MATERIALS TABLE

Ref.	Name	Materials
1	Fixed part	Carbon
2	Rotating part	Ceramic
3	Gasket	NBR
4	Frame + spring	EN 1.4401 (AISI 316)

### SPECIAL MECHANICAL SEALS (On request)

Name	Materials				
	H Version	HS Version	HW Version	HSW Version	E Version
Fixed part	Carbon	Silicon Carbide	Tungsten Carbide	Tungsten Carbide	Carbon
Rotating part	Ceramic	Silicon Carbide	Tungsten Carbide	Silicon Carbide	Ceramic
Gasket	FKM	FKM	FKM	FKM	EPDM
Frame + spring	EN 1.4401 (AISI 316)	EN 1.4571 (AISI 316Ti)	EN 1.4401 (AISI 316)	EN 1.4401 (AISI 316)	EN 1.4401 (AISI 316)

### SPECIAL MECHANICAL SEALS (On request)

Name	Materials				
	U3U3EGG Version	U3CEGG Version	Q1Q1EGG Version	Q1U3EGG Version	Q1AEGG Version
Fixed part	Tungsten Carbide	Tungsten Carbide	Silicon Carbide	Silicon Carbide	Silicon Carbide
Rotating Part	Tungsten Carbide	Special carbon	Silicon Carbide	Tungsten Carbide	Metallised carbon
Elastomers	EPDM	EPDM	EPDM	EPDM	EPDM
Spring	AISI 316	AISI 316	AISI 316	AISI 316	AISI 316

# 3D SERIES

## NORMALISED AND MONOBLOCK CENTRIFUGAL ELECTROPUMPS CONFORMING TO EN 733 (EX DIN 24255)

ELECTRIC DATA TABLE 3D4 SERIES

4 Poles

Model Three phase 230/400V	P <sub>1</sub>		Efficiency	Efficiency(%) Three phase			P <sub>1</sub> [kW]	Absorbed Current [A] Three phase	
	[HP]	[kW]		50%	η % 75%	100%		230V	400V
3D4 32-125/0.25	0,33	0,25	-	-	-	-	0,55	1,9	1,1
3D4 32-160/0.37R	0,5	0,37	-	-	-	-	0,80	2,6	1,5
3D4 32-160/0.37	0,5	0,37	-	-	-	-	0,80	2,6	1,5
3D4 32-200/0.55R	0,75	0,55	-	-	-	-	0,80	2,6	1,5
3D4 32-200/0.55	0,75	0,55	-	-	-	-	0,80	2,6	1,5
3D4 32-200/0.75	1	0,75	IE3	81,5	83,4	84,1	1,31	4,6	2,7
3D4 40-125/0.37R	0,5	0,37	-	-	-	-	0,55	1,9	1,1
3D4 40-125/0.37	0,5	0,37	-	-	-	-	0,55	1,9	1,1
3D4 40-160/0.55R	0,75	0,55	-	-	-	-	0,80	2,6	1,5
3D4 40-160/0.55	0,75	0,55	-	-	-	-	0,80	2,6	1,5
3D4 40-200/1.1R	1,5	1,1	IE3	81,5	83,4	84,1	1,31	4,6	2,7
3D4 40-200/1.1	1,5	1,1	IE3	81,5	83,4	84,1	1,31	4,6	2,7
3D4 40-200/1.5	2	1,5	IE3	81,1	84,1	85,3	1,76	6,2	3,6
3D4 50-125/0.55R	0,75	0,55	-	-	-	-	0,80	2,6	1,5
3D4 50-125/0.55	0,75	0,55	-	-	-	-	0,80	2,6	1,5
3D4 50-160/1.1R	1,5	1,1	IE3	81,5	83,4	84,1	1,31	4,6	2,7
3D4 50-160/1.1	1,5	1,1	IE3	81,5	83,4	84,1	1,31	4,6	2,7
3D4 50-200/1.5R	2	1,5	IE3	81,1	84,1	85,3	1,76	6,2	3,6
3D4 50-200/1.5	2	1,5	IE3	81,1	84,1	85,3	1,76	6,2	3,6
3D4 50-200/2.2	3	2,2	IE3	86,1	87,0	86,7	2,54	7,8	4,5
3D4 65-125/0.55	0,75	0,55	-	-	-	-	0,80	2,6	1,5
3D4 65-125/0.75	1	0,75	IE3	81,5	83,4	84,1	1,31	4,6	2,7
3D4 65-125/1.1	1,5	1,1	IE3	81,5	83,4	84,1	1,31	4,6	2,7
3D4 65-160/1.1	1,5	1,1	IE3	81,5	83,4	84,1	1,31	4,6	2,7
3D4 65-160/1.5	2	1,5	IE3	81,1	84,1	85,3	1,76	6,2	3,6
3D4 65-160/2.2	3	2,2	IE3	86,1	87,0	86,7	2,54	7,8	4,5
3D4 65-200/2.2R	3	2,2	IE3	86,1	87,0	86,7	2,54	7,8	4,5
3D4 65-200/2.2	3	2,2	IE3	86,1	87,0	86,7	2,54	7,8	4,5
3D4 65-200/3	4	3	IE3	85,7	87,7	87,8	3,42	11,8	6,8

# 3D SERIES

## NORMALISED AND MONOBLOCK CENTRIFUGAL ELECTROPUMPS CONFORMING TO EN 733 (EX DIN 24255)

ELECTRIC DATA TABLE 3DS - 3DP SERIES

4 Poles

3DS4 Three phase 230/400V	Model 3DP4 Three phase 230/400V	Size Motors	P <sub>1</sub>		Efficiency	Efficiency(%) Three phase			P <sub>1</sub> [kW]	Absorbed Current [A] Three phase	
			[HP]	[kW]		50%	η % 75%	100%		230V	400V
3DS4 32-125/0.25	3DP4 32-125/0.25	71	0,33	0,25	-	55,0	59,0	64,0	0,41	1,6	0,9
3DS4 32-160/0.37R	3DP4 32-160/0.37R	71	0,5	0,37	-	60,0	63,0	67,0	0,56	2,1	1,2
3DS4 32-160/0.37	3DP4 32-160/0.37	71	0,5	0,37	-	60,0	63,0	67,0	0,56	2,1	1,2
3DS4 32-200/0.55R	3DP4 32-200/0.55R	80	0,75	0,55	-	67,0	69,0	70,0	0,80	2,8	1,6
3DS4 32-200/0.55	3DP4 32-200/0.55	80	0,75	0,55	-	67,0	69,0	70,0	0,80	2,8	1,6
3DS4 32-200/0.75	3DP4 32-200/0.75	80	1	0,75	IE3	80,7	81,5	82,5	0,92	3,1	1,8
3DS4 40-125/0.37R	3DP4 40-125/0.37R	71	0,5	0,37	-	60,0	63,0	67,0	0,56	2,1	1,2
3DS4 40-125/0.37	3DP4 40-125/0.37	71	0,5	0,37	-	60,0	63,0	67,0	0,56	2,1	1,2
3DS4 40-160/0.55R	3DP4 40-160/0.55R	80	0,75	0,55	-	67,0	69,0	70,0	0,80	2,8	1,6
3DS4 40-160/0.55	3DP4 40-160/0.55	80	0,75	0,55	-	67,0	69,0	70,0	0,80	2,8	1,6
3DS4 40-200/1.1R	3DP4 40-200/1.1R	90L	1,5	1,1	IE3	83,3	84,3	84,1	1,30	4,3	2,5
3DS4 40-200/1.1	3DP4 40-200/1.1	90L	1,5	1,1	IE3	83,3	84,3	84,1	1,30	4,3	2,5
3DS4 40-200/1.5	3DP4 40-200/1.5	90L	2	1,5	IE3	84,1	85,2	85,3	1,80	6,2	3,6
3DS4 50-125/0.55R	3DP4 50-125/0.55R	80	0,75	0,55	-	67,0	69,0	70,0	0,80	2,8	1,6
3DS4 50-125/0.55	3DP4 50-125/0.55	80	0,75	0,55	-	67,0	69,0	70,0	0,80	2,8	1,6
3DS4 50-160/1.1R	3DP4 50-160/1.1R	90L	1,5	1,1	IE3	83,3	84,3	84,1	1,30	4,3	2,5
3DS4 50-160/1.1	3DP4 50-160/1.1	90L	1,5	1,1	IE3	83,3	84,3	84,1	1,30	4,3	2,5
3DS4 50-200/1.5R	3DP4 50-200/1.5R	90L	2	1,5	IE3	84,1	85,2	85,3	1,80	6,2	3,6
3DS4 50-200/1.5	3DP4 50-200/1.5	90L	2	1,5	IE3	84,1	85,2	85,3	1,80	6,2	3,6
3DS4 50-200/2.2	3DP4 50-200/2.2	100L	3	2,2	IE3	83,2	86,2	86,7	2,58	10,2	5,9
3DS4 65-125/0.55	3DP4 65-125/0.55	80	0,75	0,55	-	67,0	69,0	70,0	0,80	2,8	1,6
3DS4 65-125/0.75	3DP4 65-125/0.75	80	1	0,75	IE3	80,7	81,5	82,5	0,92	3,1	1,8
3DS4 65-125/1.1	3DP4 65-125/1.1	90L	1,5	1,1	IE3	83,3	84,3	84,1	1,30	4,3	2,5
3DS4 65-160/1.1	3DP4 65-160/1.1	90L	1,5	1,1	IE3	83,3	84,3	84,1	1,30	4,3	2,5
3DS4 65-160/1.5	3DP4 65-160/1.5	90L	2	1,5	IE3	84,1	85,2	85,3	1,80	6,2	3,6
3DS4 65-160/2.2	3DP4 65-160/2.2	100L	3	2,2	IE3	83,2	86,2	86,7	2,58	10,2	5,9
3DS4 65-200/2.2R	3DP4 65-200/2.2R	100L	3	2,2	IE3	83,2	86,2	86,7	2,58	10,2	5,9
3DS4 65-200/2.2	3DP4 65-200/2.2	100L	3	2,2	IE3	83,2	86,2	86,7	2,58	10,2	5,9
3DS4 65-200/3	3DP4 65-200/3	100L	4	3	IE3	85,1	87,1	87,7	3,44	11,8	6,8

# 3D SERIES

## NORMALISED AND MONOBLOCK CENTRIFUGAL ELECTROPUMPS CONFORMING TO EN 733 (EX DIN 24255)

**NOISE DATA TABLE 3D4 SERIES**

4 poles

Model 3D4	P <sub>2</sub>		L <sub>PA</sub> - dB(A)*
	[HP]	[kW]	
3D4 32-125/0.25	0.33	0.25	<70
3D4 32-160/0.37R	0.5	0.37	
3D4 32-160/0.37	0.5	0.37	
3D4 32-200/0.55R	0.75	0.55	
3D4 32-200/0.55	0.75	0.55	
3D4 32-200/0.75	1	0.75	
3D4 40-125/0.37R	0.5	0.37	
3D4 40-125/0.37	0.5	0.37	
3D4 40-160/0.55R	0.75	0.55	
3D4 40-160/0.55	0.75	0.55	
3D4 40-200/1.10R	1.5	1.1	
3D4 40-200/1.10	1.5	1.1	
3D4 40-200/1.50	2	1.5	
3D4 50-125/0.55R	0.75	0.55	
3D4 50-125/0.55	0.75	0.55	
3D4 50-160/1.10R	1.5	1.1	
3D4 50-160/1.10	1.5	1.1	
3D4 50-200/1.50R	2	1.5	
3D4 50-200/1.50	2	1.5	
3D4 50-200/2.20	3	2.20	
3D4 65-125/0.55	0.75	0.55	
3D4 65-125/0.75	1	0.75	
3D4 65-125/1.10	1.5	1.1	
3D4 65-160/1.10	1.5	1.1	
3D4 65-160/1.50	2	1.5	
3D4 65-160/2.20	3	2.20	
3D4 65-200/2.20R	3	2.20	
3D4 65-200/2.20	3	2.20	
3D4 65-200/3.00	4	3	

**NOISE DATA TABLE 3DS4 - 3DP4 SERIES**

4 poles

Model		P <sub>2</sub>		L <sub>PA</sub> - dB(A)*
3DS4	3DP4	[HP]	[kW]	
3DS4 32-125/0.25	3DP4 32-125/0.25	0.33	0.25	<70
3DS4 32-160/0.37R	3DP4 32-160/0.37R	0.5	0.37	
3DS4 32-160/0.37	3DP4 32-160/0.37	0.5	0.37	
3DS4 32-200/0.55R	3DP4 32-200/0.55R	0.75	0.55	
3DS4 32-200/0.55	3DP4 32-200/0.55	0.75	0.55	
3DS4 32-200/0.75	3DP4 32-200/0.75	1	0.75	
3DS4 40-125/0.37R	3DP4 40-125/0.37R	0.5	0.37	
3DS4 40-125/0.37	3DP4 40-125/0.37	0.5	0.37	
3DS4 40-160/0.55R	3DP4 40-160/0.55R	0.75	0.55	
3DS4 40-160/0.55	3DP4 40-160/0.55	0.75	0.55	
3DS4 40-200/1.10R	3DP4 40-200/1.10R	1.5	1.1	
3DS4 40-200/1.10	3DP4 40-200/1.10	1.5	1.1	
3DS4 40-200/1.50	3DP4 40-200/1.50	2	1.5	
3DS4 50-125/0.55R	3DP4 50-125/0.55R	0.75	0.55	
3DS4 50-125/0.55	3DP4 50-125/0.55	0.75	0.55	
3DS4 50-160/1.10R	3DP4 50-160/1.10R	1.5	1.1	
3DS4 50-160/1.10	3DP4 50-160/1.10	1.5	1.1	
3DS4 50-200/1.50R	3DP4 50-200/1.50R	2	1.5	
3DS4 50-200/1.50	3DP4 50-200/1.50	2	1.5	
3DS4 50-200/2.20	3DP4 50-200/2.20	3	2.20	
3DS4 65-125/0.55	3DP4 65-125/0.55	0.75	0.55	
3DS4 65-125/0.75	3DP4 65-125/0.75	1	0.75	
3DS4 65-125/1.10	3DP4 65-125/1.10	1.5	1.1	
3DS4 65-160/1.10	3DP4 65-160/1.10	1.5	1.1	
3DS4 65-160/1.50	3DP4 65-160/1.50	2	1.5	
3DS4 65-160/2.20	3DP4 65-160/2.20	3	2.20	
3DS4 65-200/2.20R	3DP4 65-200/2.20R	3	2.20	
3DS4 65-200/2.20	3DP4 65-200/2.20	3	2.20	
3DS4 65-200/3.00	3DP4 65-200/3.00	4	3	

\* Mean value of several measurements at 1 m distance around the pump.  
Tolerance ± 2.5 dB.

\* Mean value of several measurements at 1 m distance around the pump.  
Tolerance ± 2.5 dB.