

# Preparation unit—Filter & regulator

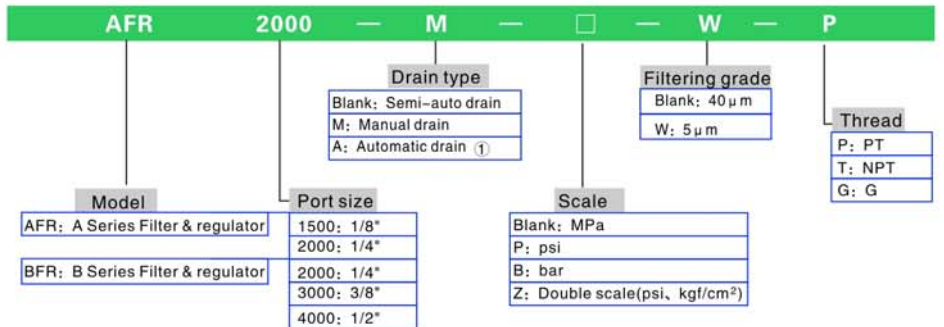
AFR, BFR Series



## Specification

Model	AFR1500	AFR2000	BFR2000	BFR3000	BFR4000
Fluid	Air				
Port size	1/8"	1/4"	1/4"	3/8"	1/2"
Filtering grade	40 μm or 5 μm				
Pressure range	Semi-auto and automatic drain :0.15~0.9MPa(20~130Psi)				
	Manual drain:0.05~0.9MPa(7~130Psi)				
Proof pressure	1.5 MPa(215Psi)				
Temperature range	-20~70°C				
Capacity of drain bowl	15CC		60CC		
Weight	260g		400g		

## Ordering code



## Symbol

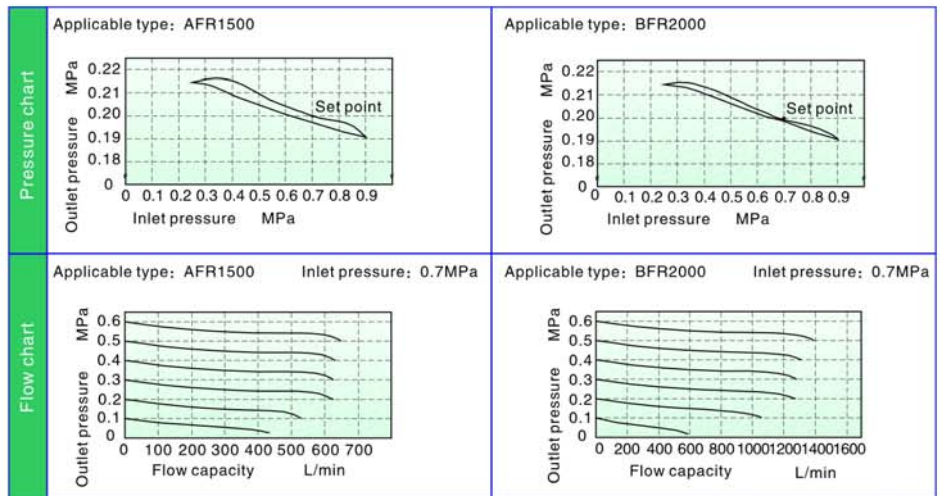


## Product feature

1. The structure is delicate and compact, which is convenient for installation and application;
2. The pressed-in self-locking mechanism can prevent the abnormal movement of the set pressure caused by external interference;
3. The pressure loss is low and the efficiency of water separating is high;
4. In addition to standard type, lower pressure type is optional (The highest adjustable pressure is 0.4MPa).

## Pressure and feature of flow

① The function of automatic drain is not available for A series;



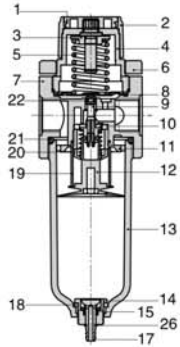
# Preparation unit—Filter & regulator

AFR, BFR Series

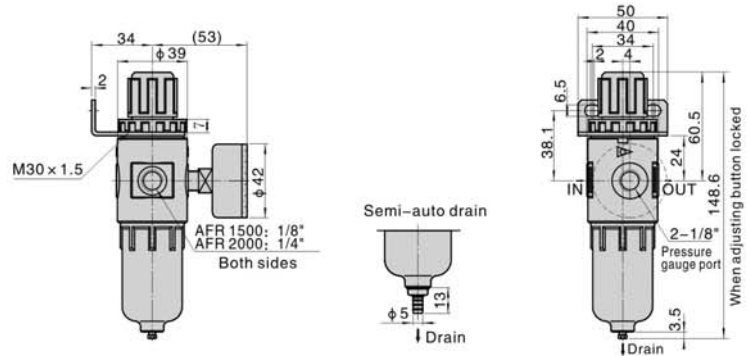
## Inner structure and Material of major parts

## Dimensions

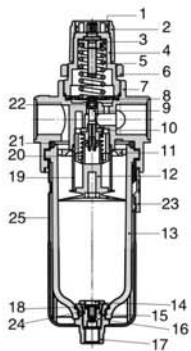
AFR



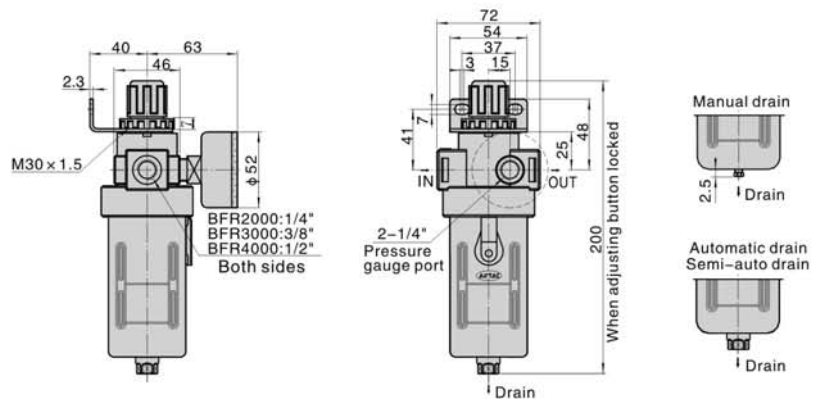
AFR



BFR



BFR



No.	Item	Material
1	Push button	POM
2	Adjusting button	POM
3	Adjusting nut	Steel
4	Adjusting seat	POM
5	Adjusting spring	SWC
6	Fixed ring	POM
7	Body	Aluminum alloy
8	Diaphragm	SUS304 & rubber
9	Balance needle	POM
10	Needle gasket	Aluminum alloy & rubber
11	Air guider	POM
12	Umbrella baffle	POM
13	Drain bowl	PC
14	Drain kit	POM
15	Return spring	Stainless steel
16	Drain seat	POM
17	Drain pillar	POM
18	Drain O-ring	NBR
19	Filter element	Makrolon fiber:5um Agglomerated by bronze grain:40um
20	Return spring	Stainless steel
21	Drain bowl O-ring	NBR
22	Needle O-ring	NBR
23	Bowl guard switch	POM
24	Gasket	POM
25	Bowl guard	PA66
26	Nut	Spring steel

## Selection of drain mode

The drain modes of different series are different. Please refer to P II-21 for details.



AFR  
BFR