

Preparation unit—FR.L combination

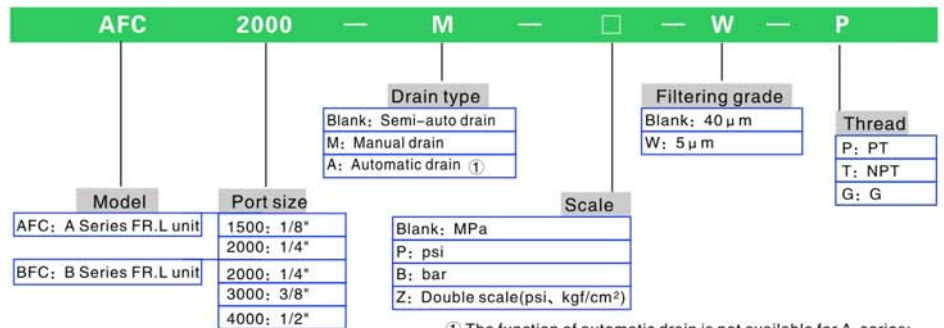
AFC、BFC Series



Specification

Model	AFC1500	AFC2000	BFC2000	BFC3000	BFC4000
Fluid	Air				
Port size	1/8"	1/4"	1/4"	3/8"	1/2"
Filtering grade	40 μm				
Pressure range	Semi-auto and automatic drain: 0.15~0.9MPa(20~130Psi)				
	Manual drain : 0.05~0.9MPa(7~130Psi)				
Proof pressure	1.5 MPa(215Psi)				
Temperature range	-20~70℃				
Capacity of filter cup	15CC		60CC		
Capacity of drain bowl	25CC		90CC		
Recommended lubricant	ISO VG 32 or equivalent				
Weight	500g		700g		
Constitute	Filter- Regulator	AFR1500	AFR2000	BFR2000	BFR3000
	Lubricator	AL1500	AL2000	BL2000	BL3000

Ordering code



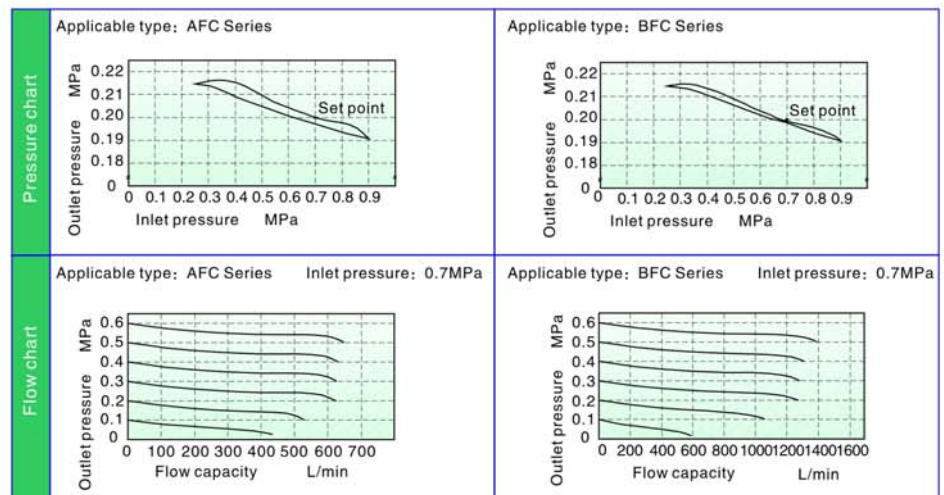
Symbol



Product feature

- 1、The structure is delicate and compact, which is convenient for installation and application;
- 2、The pressed-in self-locking mechanism can prevent the abnormal movement of the set pressure caused by external interference;
- 3、The pressure loss is low and the efficiency of water separating is high;
- 4、The quantity of oil dripping can be directly observed through transparent check-dome;
- 5、In addition to standard type, lower pressure type is optional (The highest adjustable pressure is 0.4MPa).

Pressure and feature of flow

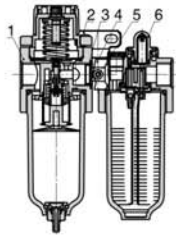


Preparation unit—FR.L. combination

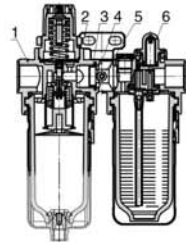
AFC, BFC Series

Inner structure

AFC



BFC



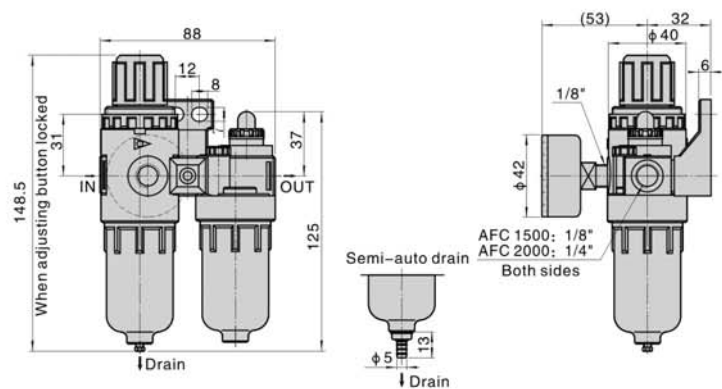
No.	Item
1	AFR, BFR Series filter & regulator
2	A, B Series bracket
3	A, B Series gasket
4	A, B Series fixed kit
5	Screw
6	AL, BL Series lubricator

Selection of drain mode

The drain modes of different series are different. Please refer to P II-21 for details.

Dimensions

AFC



BFC

