

# Push-pull valve(3/2way)

## 3L Series



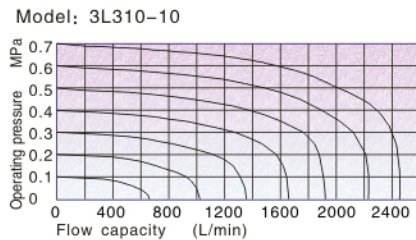
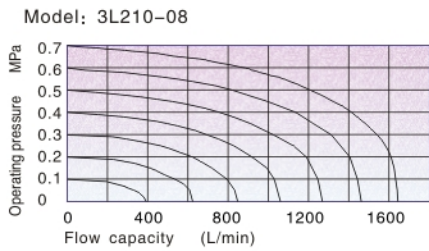
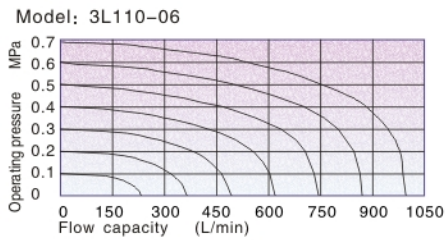
### Specification

Model	3L110-06	3L210-06	3L210-08	3L310-08	3L310-10
Fluid	Air (to be filtered by 40µm filter element)				
Operating	Manual control direct acting type				
Port size ①	1/8"		1/4"		3/8"
Orifice size	12.0mm <sup>2</sup> (Cv=0.67)	14.0mm <sup>2</sup> (Cv=0.78)	16.0mm <sup>2</sup> (Cv=0.89)	25.0mm <sup>2</sup> (Cv=1.39)	30.0mm <sup>2</sup> (Cv=1.67)
Valve type	3 port 2 position				
Lubrication ②	Not required				
Pressure range	0 ~ 0.8MPa(21~114Psi)				
Proof pressure	1.5MPa(215Psi)				
Temperature ℃	-20~70				
Material of body	Aluminum alloy				

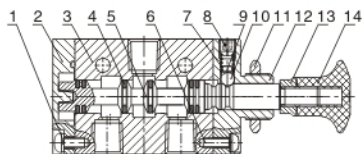
### Symbol



### Flow chart



### Inner structure

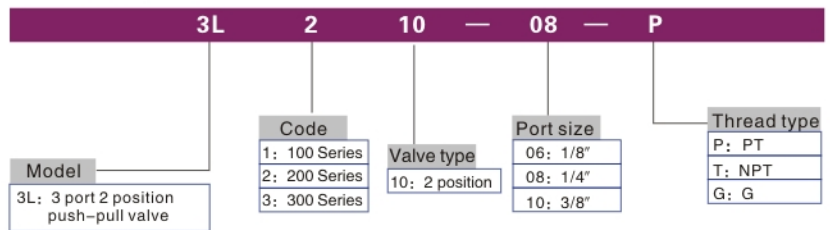


NO.	Item	NO.	Item
1	Round head screw	8	Stop screw
2	Bottom cover	9	Spring base
3	Body	10	Steel ball
4	O-ring	11	Hexagon nut
5	Spool	12	Top cover
6	Round head screw	13	Safety nut
7	Spring	14	Hand grip

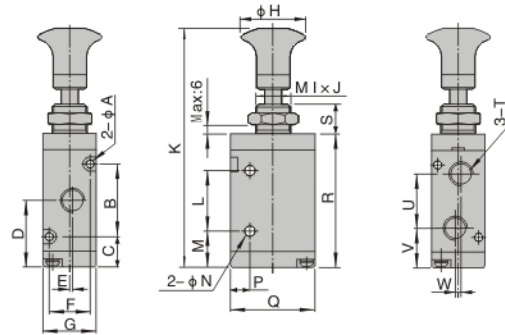
① PT thread, NPT thread and G thread are available;

② If add oil for lubrication, it is not allowed to stop midway. It is suggested to use ISO VG32 lubricant or the oil with the same grade.

### Ordering code



### Dimensions



Item/Type	3L110					3L210					3L310				
	06	06	08	08	10	06	06	08	08	10	06	06	08	08	10
A	3.3	3.3	3.3	4.3	4.3	L	21	25	25	30	30				
B	19	30	30	35	35	M	12.2	15.2	15.2	17.5	17.5				
C	13.2	12.7	12.7	15	15	N	3.3	4.3	4.3	4.3	4.3				
D	23.7	27.7	27.7	32.5	32.5	P	7.5	8	8	10	10				
E	1	0	1.5	0	2	Q	27	35	35	40	40				
F	13	17	17	20	20	R	47	57	57	65.8	65.8				
G	18	22	22	27	27	S	10	10	10	10	10				
H	22	22	22	25	25	T	1/8"	1/8"	1/4"	1/4"	3/8"				
I	12	14	14	16	16	U	16	22.5	22.5	24	24				
J	1.0	0.75	1.0	1.0	1.0	V	14.7	16.5	16.5	20.5	20.5				
K	79	90	90	100	100	W	2	0	0	0	0				